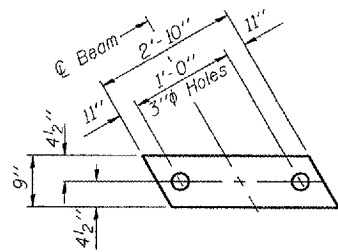
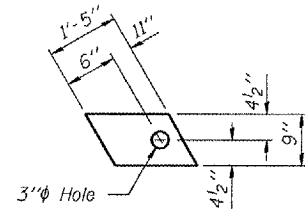


STATE OF ILLINOIS  
DEPARTMENT OF TRANSPORTATION

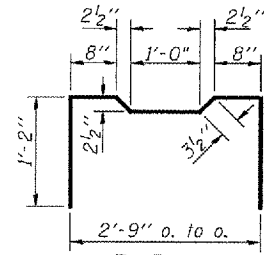
ROUTE NO.	SECTION	QUANTITY	UNITS	PRICE	SHEET NO. 2 4 SHEETS
FAP 317		Fulton	12	10	
FED. ROAD DIST. NO. 7					Contract Number: 68782
ILLINOIS					



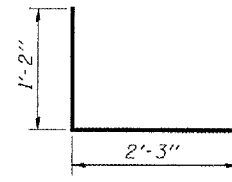
**FABRIC BEARING PAD**



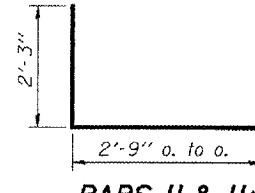
**FABRIC ADJUSTING SHIM**



**BAR A1**

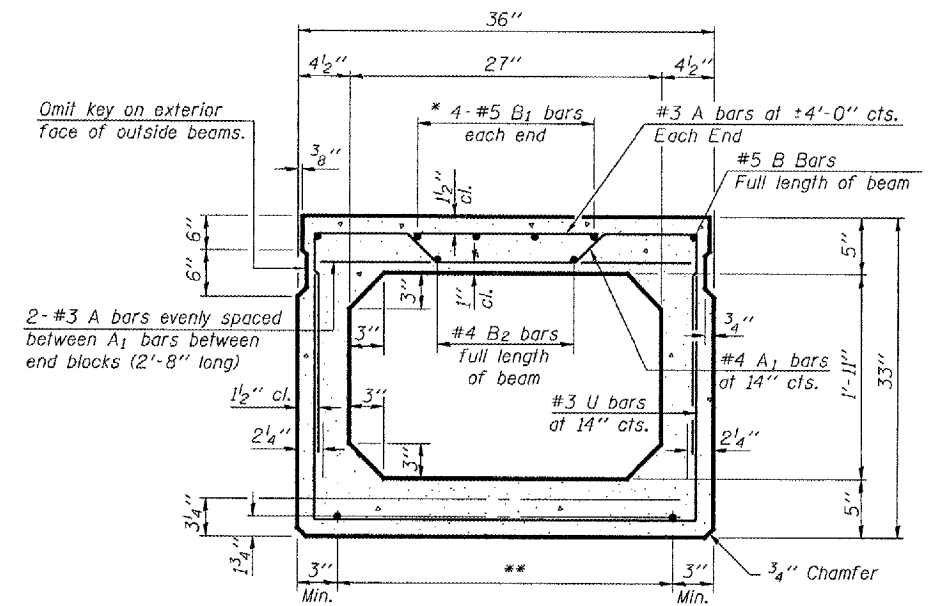


**BAR D**



**BARS U & U1**

\* 0.2 x Length of beam



**TYPICAL SECTION**

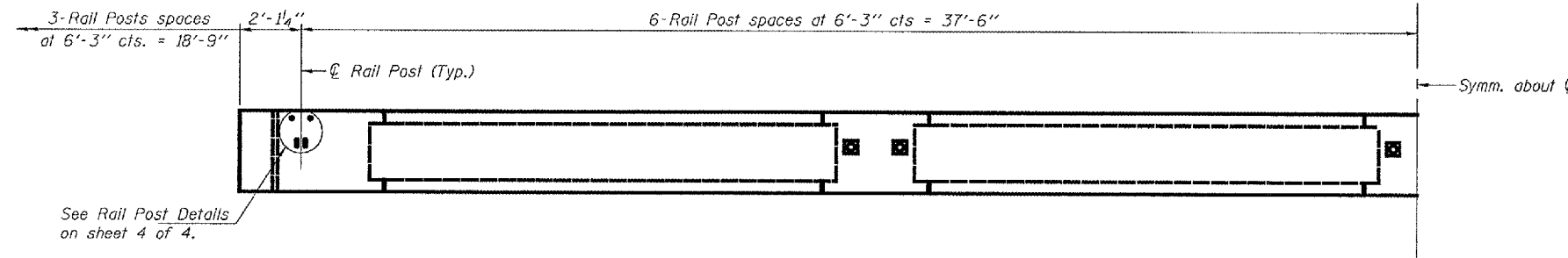
17-1/2"φ Strands, Each Strand Stressed to 30,900 Lbs.  
8-Strands 1 3/4" up, 5-Strands 3/4" up, &  
2-Strands 6" up, 2-Strands 9" up.

Note:  
Place strands symmetrically about centerline of beam.

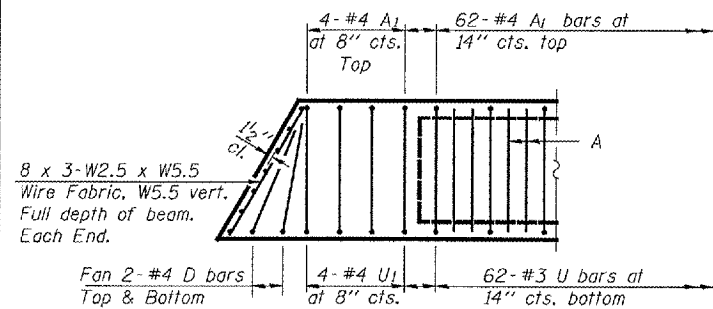
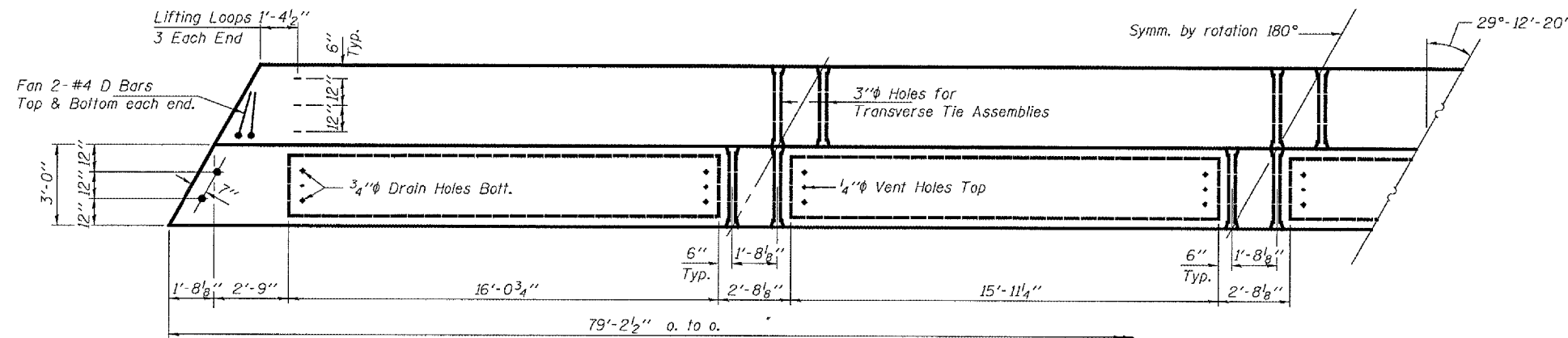
**\*\* TRANSVERSE PLACEMENT GUIDELINES**

1. Place strands symmetrically about centerline of beam.
2. The minimum distance from center to center of strands in all directions shall be 2".
3. The minimum clearance from strand to dowel hole shall be 1/2".
4. The minimum clearance from strand to void shall be 1/2".

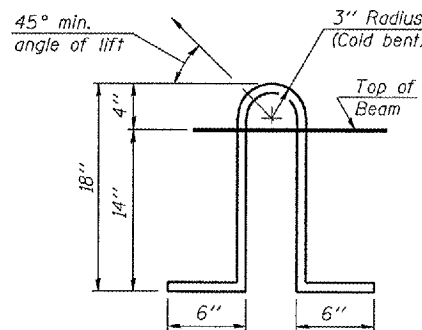
Vertical placement of strands shall not be adjusted to satisfy the above guidelines.



**BEAM PLAN**



**END PLAN**



**LIFTING LOOP DETAIL**

**NOTES**

Prestressing steel shall be uncoated high strength, low relaxation 7-wire strand, Grade 270. The nominal diameter shall be 1/2" and the nominal cross-sectional area shall be 0.153 sq. in. Lifting loops shall be 3-1/2"φ-270 ksi strands, as shown. The 1"φ rods in the transverse tie assembly shall be tightened to a snug fit and the threads set. Pockets that receive transverse tie bar on outside shall be filled with grout after transverse tie assembly is in place. Non prestressing steel shall conform to ASTM A 706 (IL MOD), Grade 60. The bearing seat surfaces shall be adjusted by shimming to assure firm and even bearing. Two 1/8" fabric adjusting shims of the dimensions shown shall be provided for each bearing. Keyway surfaces shall be cleaned to remove form oil or other bond breaking material prior to shipment of the beams. Cleaning shall be done by sandblasting the keyway areas between top of the beam and the bottom edge of the key. Corrosion Inhibitor, per Article 1020.05(b)(12) of the Standard Specifications, shall be used in the concrete for precast prestressed concrete deck beams. Required Release Strength, f'ci, shall be 4000 p.s.i.

**BILL OF MATERIAL**

Precast Prestressed Conc. Deck Bms.	Sq. Ft.	1188

**REPAIR DETAILS**  
**SBI RT. 78**  
**FULTON COUNTY**  
**SN 029-0018**

DESIGNED	ATH	FEBRUARY 25, 2008
CHECKED	AJB	EXAMINED <i>Carl Prosser</i> ENGINEER OF STRUCTURAL SERVICES
DRAWN	Steffen	PASSED <i>Ralph E. Anderson</i> ENGINEER OF BRIDGES AND STRUCTURES
CHECKED	ATH AJB	