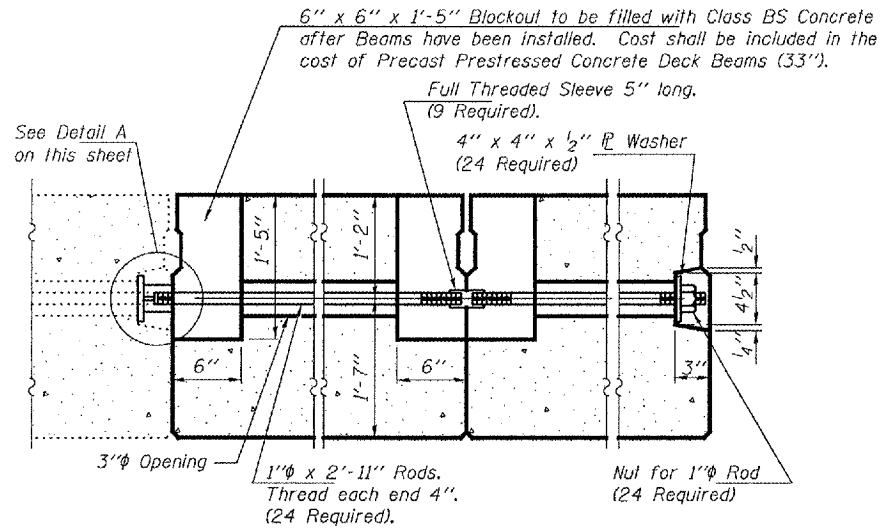


STATE OF ILLINOIS  
DEPARTMENT OF TRANSPORTATION

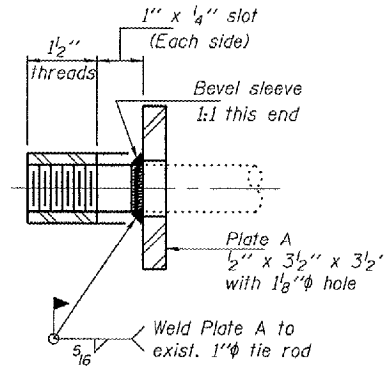
ROUTE NO.	SECTION	COUNTY	TOTAL SHEETS	SHEET NO.
FAP 317		Fulton	12	11
FED. ROAD DIST. NO. 7	ILLINOIS	FED. AID PROJECT		

SHEET NO. 3  
4 SHEETS

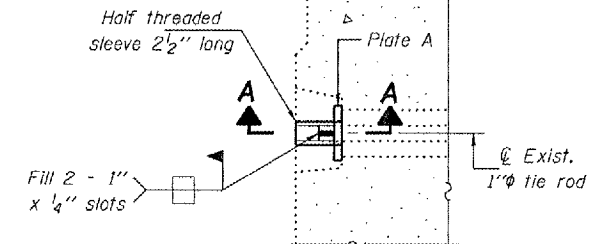
Contract Number: 68782



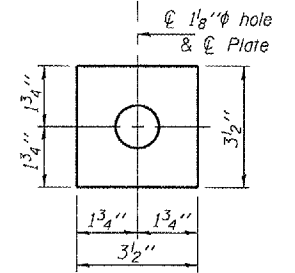
**TYPICAL TRANSVERSE TIE ASSEMBLY**



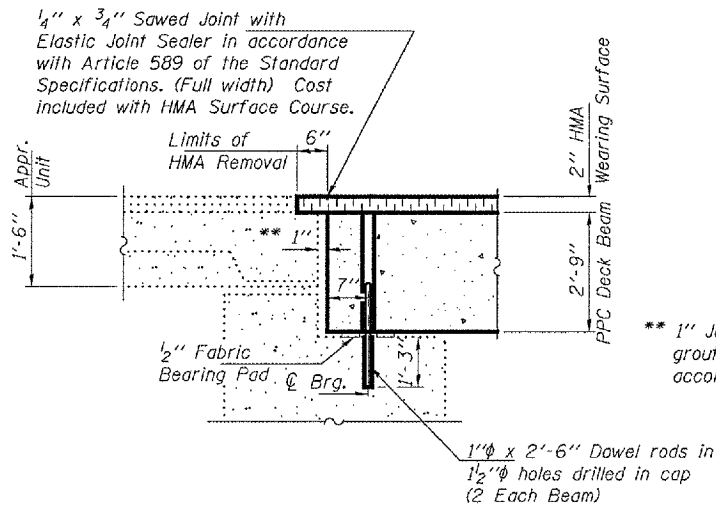
**SECTION A-A**  
(6 Required)



**DETAIL A**

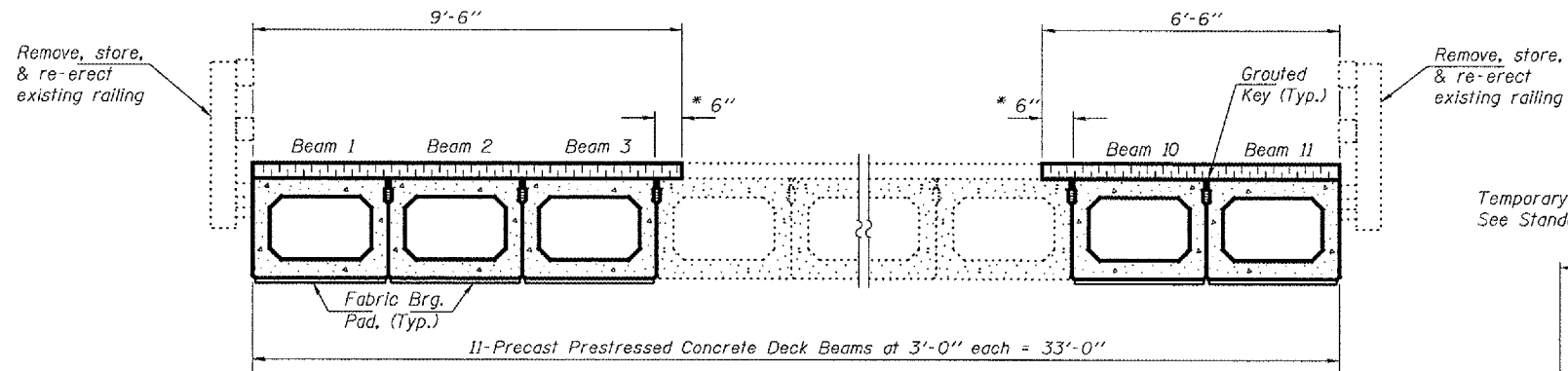


**PLATE A**  
(6 Required)



**TYPICAL SECTION AT ABUTMENTS**

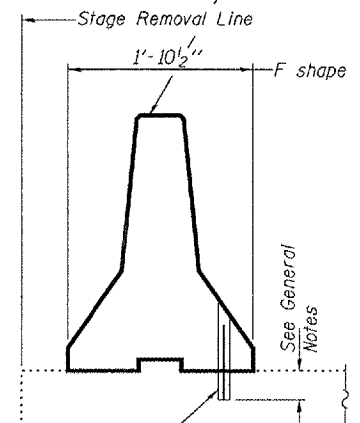
Existing Dowel Rods shall be cut off & ground flush with the top of the existing concrete. Cost included with Removal of Existing PPC Deck Beams. Proposed Dowel Rods shall be grouted after beams are in place and allowed to cure (Min. 24 hrs.) prior to grouting shear keys.



**PARTIAL CROSS SECTION**  
(Looking West)

\* Limits of HMA Surface Removal. Existing waterproofing to remain. Lap new waterproofing 6" over existing.

\*\* 1" Joint shall be filled with non-shrink grout. This dimension may vary to accommodate tolerance in beam length.



**TEMPORARY CONCRETE BARRIER**

Drill 1/4" Holes in existing overlay for 1" x 10" dowel bars. Traffic side only. Cost included with Temporary Concrete Barrier.

DESIGNED	ATH
CHECKED	AJB
DRAWN	Steffen
CHECKED	ATH AJB

FEBRUARY 25, 2008

EXAMINED *Carl Perry*  
ENGINEER OF STRUCTURAL SERVICES

PASSED *Ralph E. Anderson*  
ENGINEER OF BRIDGES AND STRUCTURES

**REPAIR DETAILS**  
**SBI RT. 78**  
**FULTON COUNTY**  
**SN 029-0018**