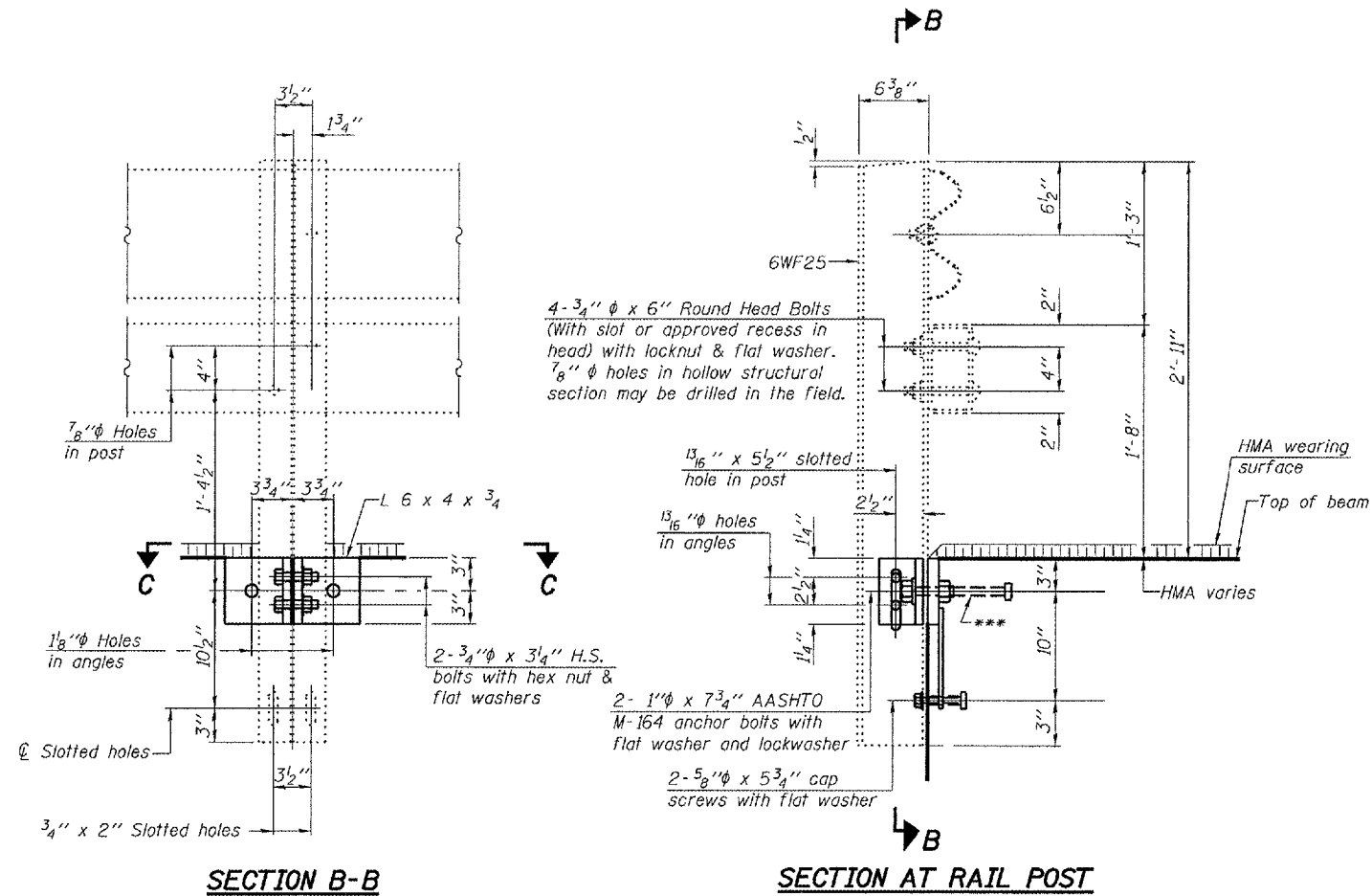
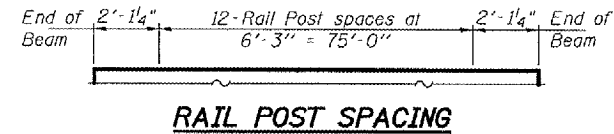


STATE OF ILLINOIS
DEPARTMENT OF TRANSPORTATION

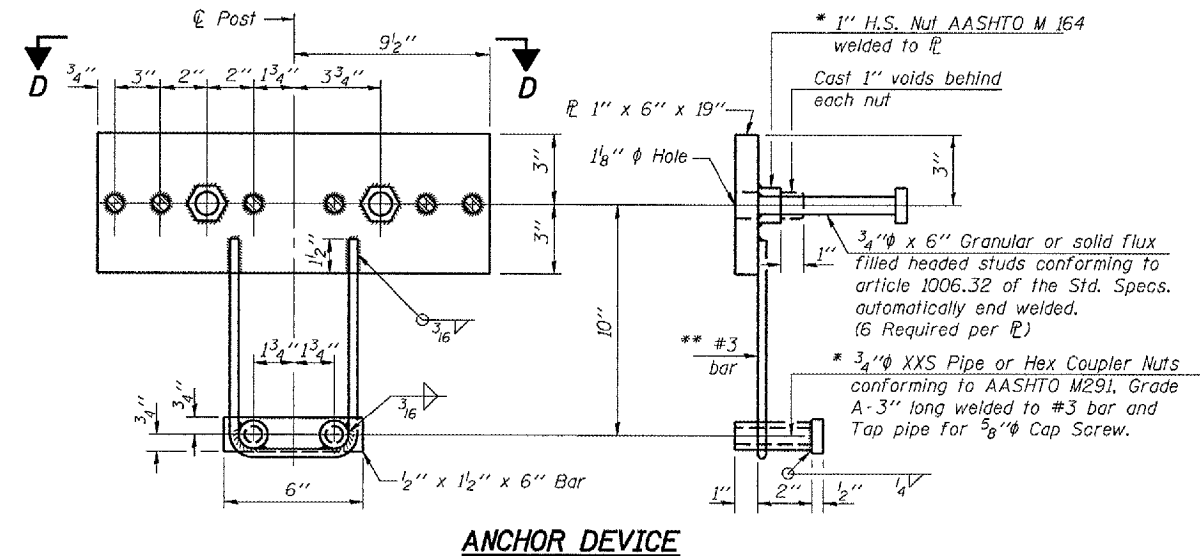
ROUTE NO.	SECTION	COUNTY	SHEET NO.	SHEET	SHEET NO.
FAP 317		Fulton	12	12	4 SHEETS
FED. ROAD DIST. NO. 7	ILLINOIS	FED. AID PROJECT			

Contract Number: 68782

Notes:
All steel rail members shall be galvanized according to Article 509.05 of the Standard Specifications.

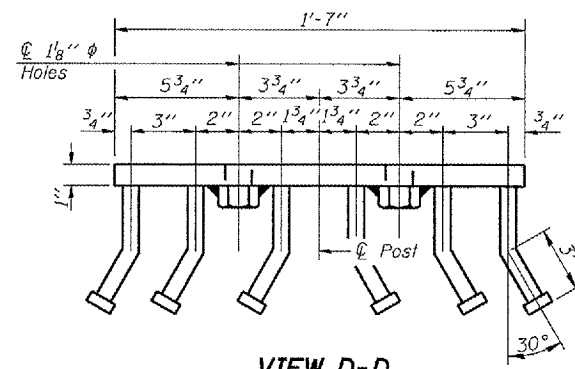


*** The studs of the anchor devices shall be placed below the top reinforcement bars and the outermost longitudinal reinforcement bar shall be placed directly above the studs of the rail post anchor device.



* Threaded areas shall be plugged or blocked off during casting of beam. Galvanized after fabrication.

** Whenever the lower insert assemblies interfere with strand locations, the #3 bars shall be cut and adjusted in order to allow raising or lowering of the lower inserts. Maximum adjustment not to exceed 1/2".



BILL OF MATERIAL

Item	Unit	Quantity
Remove and Re-erect Existing Railing	Foot	159

DESIGNED	ATH
CHECKED	AJB
DRAWN	Steffen
CHECKED	ATH AJB

FEBRUARY 25, 2008

EXAMINED *A. Carl*
ENGINEER OF STRUCTURAL SERVICES

PASSED *Ralph E. Anderson*
ENGINEER OF BRIDGES AND STRUCTURES

REPAIR DETAILS
SBI RT. 78
FULTON COUNTY
SN 029-0018