



Illinois Department of Transportation

2300 South Dirksen Parkway / Springfield, Illinois / 62764

April 14, 2008

SUBJECT: FAI Route 74 (I-74)
Project BRI-074-6 (149) 200
Section (10, 92-8HB-4)BR
Vermilion County
Contract No. 70001
Item No. 91, April 25, 2008 Letting
Addendum A

NOTICE TO PROSPECTIVE BIDDERS:

Attached is an addendum to the plans or proposal. This addendum involves revised and/or added material.

1. Revised the Table of Contents to the Special Provisions.
2. Revised pages 9 – 10 of the Special Provisions.
3. Added page 78 to the Special Provisions.

Prime contractors must utilize the enclosed material when preparing their bid and must include any Schedule of Prices changes in their bidding proposal.

Bidders using computer-generated bids are cautioned to reflect any and all Schedule of Prices changes, if involved, into their computer programs.

Very truly yours,

Eric E. Harm
Interim Bureau Chief
Bureau of Design and Environment

A handwritten signature in cursive script, reading "Ted B. Walschleger P.E.".

By: Ted B. Walschleger, P. E.
Engineer of Project Management

cc: J. E. Crowe, Region 3, District 5; Roger Driskell; Estimates

TBW:RS:jc

TABLE OF CONTENTS

| | |
|---|----|
| DESCRIPTION OF WORK | 1 |
| INTENT OF PROJECT | 1 |
| TRAFFIC CONTROL PLAN | 1 |
| CHANGEABLE MESSAGE SIGN | 4 |
| DETOUR SIGNING | 5 |
| TRAFFIC CONTROL AND PROTECTION (DETOUR 1) | 6 |
| TRAFFIC CONTROL AND PROTECTION FOR TEMPORARY DETOUR | 6 |
| LIQUIDATED DAMAGES FOR NIGHTTIME CLOSURES | 7 |
| NOTIFICATION PRIOR TO ROAD CLOSURES | 7 |
| TRAFFIC CONTROL AND PROTECTION (SPECIAL) | 8 |
| COOPERATION BETWEEN CONTRACTORS | 9 |
| CONTRACTOR ACCESS | 9 |
| OPENING LANES FOR HOME FOOTBALL PERIODS | 9 |
| F SHAPE PARAPET | 10 |
| ISLAND REMOVAL | 11 |
| PIPE UNDERDRAINS | 11 |
| GRANULAR EMBANKMENT, SPECIAL | 11 |
| GUARD POSTS | 13 |
| IL 19.0 BINDER DENSITY REQUIREMENT WHEN PLACING < 2.25" | 13 |
| PNEUMATIC-TIRED ROLLER FOR HOT-MIX ASPHALT | 14 |
| STRINGLINE | 14 |
| RAISED REFLECTIVE PAVEMENT MARKER REMOVAL | 14 |
| SEEDING | 15 |
| SEEDING | 15 |
| SEEDING, AND EROSION CONTROL BLANKET, AT CONCRETE HEADWALLS FOR PIPE DRAINS | 15 |
| STATUS OF UTILITIES TO BE ADJUSTED | 15 |
| PAVEMENT GROOVING | 16 |
| PORTLAND CEMENT CONCRETE BASE COURSE WIDENING | 16 |
| CURB AND GUTTER OUTLET, SPECIAL | 17 |
| COMPLETION DATE (VIA CALENDAR DAYS) PLUS WORKING DAYS (BDE) | 17 |
| STORAGE AND PROTECTION OF REINFORCEMENT BARS | 17 |
| WITHHOLDING OF STATE OWNED PROPERTY | 17 |
| SUSPENSION OF SLIPFORMED PARAPETS | 18 |
| CLEANING AND PAINTING NEW METAL STRUCTURES | 18 |
| POROUS GRANULAR EMBANKMENT (SPECIAL) | 24 |

Revised 04/14/2008

DEMOLITION PLANS FOR REMOVAL OF EXISTING STRUCTURES 25

CEMENT (BDE) 25

DISADVANTAGED BUSINESS ENTERPRISE PARTICIPATION (BDE) 27

DOWEL BARS (BDE) 35

ENGINEER’S FIELD OFFICE (LONG DISTANCE BILL) (BDE) 35

ENGINEER’S FIELD OFFICE TYPE A (BDE) 35

EPOXY PAVEMENT MARKINGS (BDE)..... 36

EQUIPMENT RENTAL RATES (BDE)..... 37

EROSION AND SEDIMENT CONTROL DEFICIENCY DEDUCTION (BDE) 38

HOT-MIX ASPHALT - FIELD VOIDS IN THE MINERAL AGGREGATE (BDE) 39

HOT-MIX ASPHALT – PLANT TEST FREQUENCY (BDE) 41

HOT-MIX ASPHALT – TRANSPORTATION (BDE) 42

HOT-MIX ASPHALT MIXTURE IL-9.5L (BDE) 42

IMPACT ATTENUATORS (BDE) 43

IMPACT ATTENUATORS, TEMPORARY (BDE) 44

NOTCHED WEDGE LONGITUDINAL JOINT (BDE)..... 46

PAYMENTS TO SUBCONTRACTORS (BDE) 47

PLASTIC BLOCKOUTS FOR GUARDRAIL (BDE) 48

PRECAST CONCRETE HANDLING HOLES (BDE) 48

RECLAIMED ASPHALT PAVEMENT (RAP) (BDE) 50

REFLECTIVE SHEETING ON CHANNELIZING DEVICES (BDE) 55

REINFORCEMENT BARS (BDE) 56

SEEDING (BDE) 57

SELF-CONSOLIDATING CONCRETE FOR PRECAST PRODUCTS (BDE)..... 58

SILT FILTER FENCE (BDE) 60

STEEL INSERTS AND BRACKETS CAST INTO CONCRETE (BDE) 60

STEEL PLATE BEAM GUARDRAIL (BDE) 60

STONE GRADATION TESTING (BDE)..... 61

SUBCONTRACTOR MOBILIZATION PAYMENTS (BDE) 61

TEMPORARY EROSION CONTROL (BDE) 61

THERMOPLASTIC PAVEMENT MARKINGS (BDE) 62

WATER BLASTER WITH VACUUM RECOVERY (BDE)..... 63

BITUMINOUS MATERIALS COST ADJUSTMENTS (BDE) (RETURN FORM WITH BID) 63

STEEL COST ADJUSTMENT (BDE) (RETURN FORM WITH BID) 66

STORM WATER POLLUTION PREVENTION PLAN..... 70

APPROACH SLAB REMOVAL 78

TRAFFIC CONTROL & PROTECTION DEVICES (ROAD & SIDEROAD/STREET CLOSURES)..... 78

COOPERATION BETWEEN CONTRACTORS

There is a possibility that other contractor operations may be ongoing within the proposed project limit at the same time as the work included in this contract is being performed. The contractor for this section shall cooperate with any other contractors performing work adjacent to this project in accordance with Article 105.08 of Standard Specifications. Any inconveniences or delays caused the contractor in complying with this requirement shall be considered incidental to the contract and no additional compensation will be allowed.

CONTRACTOR ACCESS

Eff. 09-11-1990

Rev. 12-06-2007

At road closure locations, where Type III barricades are installed in a manner that will not allow contractor access to the project without relocation of one or more of the barricades, the arrangement of the barricades at the beginning of each work day may be relocated, when approved by the Engineer, in the manner shown on Highway Standard 701901 for Road Closed to Through Traffic. ' Road Closed ' signs (R11-2), supplemented by 'Except Authorized Vehicles' signs (R3-1101), shall be mounted on both the near-right and the far-left barricade(s). At the end of each work day the barricades shall be returned to their in-line positions. This work will be considered incidental to the contract and no extra compensation will be allowed.

OPENING LANES FOR HOME FOOTBALL PERIODS

Eff. 02-15-2001

Rev. 09-01-2006

No broken pavement, open holes, trenches, barricades, cones, or drums will remain on or adjacent to the traveled way and all lanes shall be opened to traffic during any Home Football Period, except where major bridge construction and/or other roadway reconstruction (excluding patching and resurfacing) requiring overnight lane closures would make it impractical.

Home Football Period: The Home Football Period shall apply for University of Illinois football games to be played at Memorial Stadium at the University of Illinois at Urbana-Champaign

| Day of Football Game | Length of Home Football Period |
|---------------------------------|---|
| Tuesday, Wednesday, or Thursday | 3PM on the day before the game until 6:00 AM on the day after the game. |
| Friday | 3PM on Thursday until 12:01 AM Monday |
| Saturday | 3PM on Friday until 12:01 AM Monday |
| Sunday | 3PM on Friday until 6:00 AM Monday |
| Monday | 12:01 AM on Saturday until 6:00 AM Tuesday |

Should the Home Football Period for two different games overlap, then both shall apply and shall be considered as one continuous period.

These requirements shall apply in addition to any other requirements in the Standard Specifications.

Revised 04/14/2008

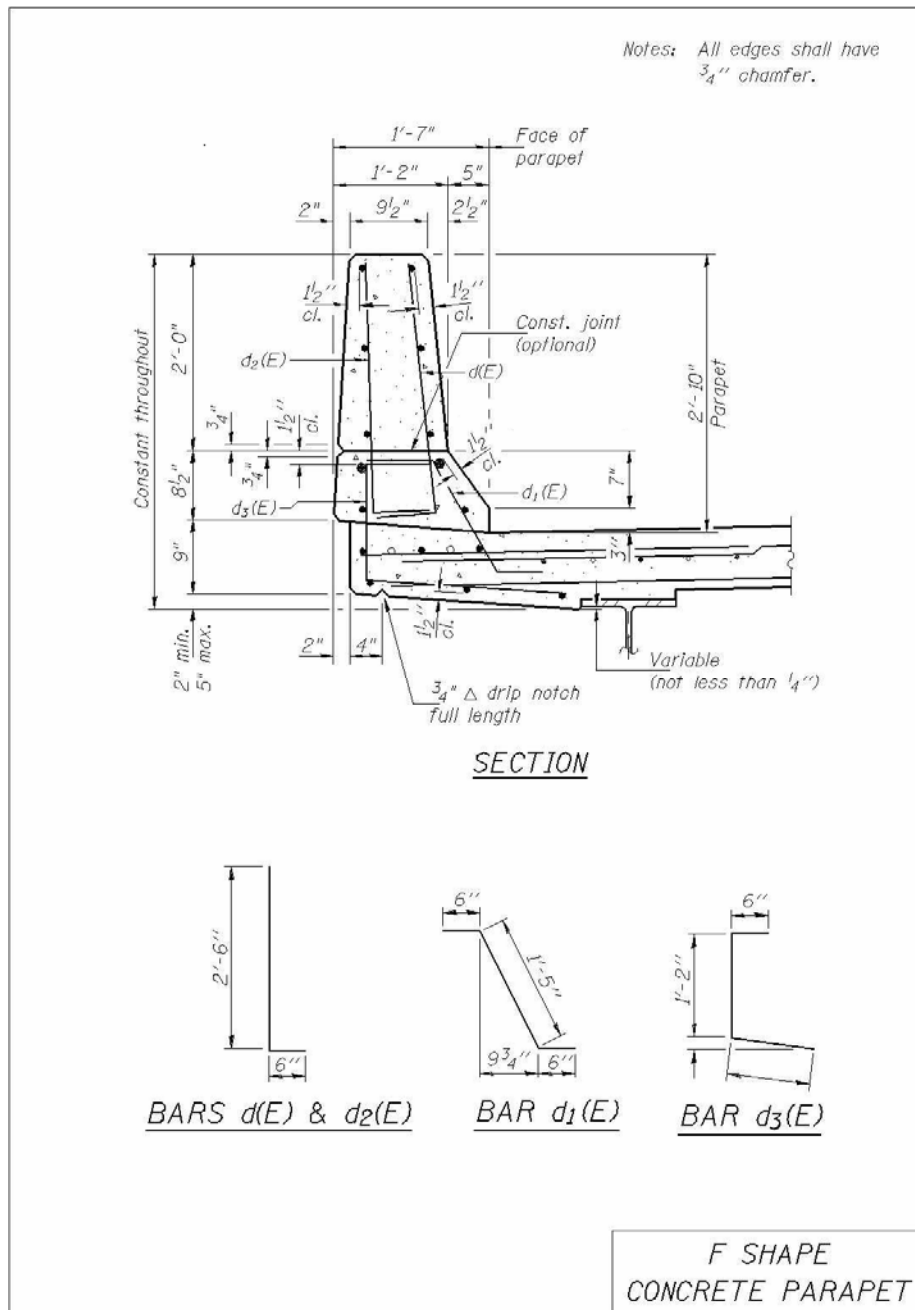
F SHAPE PARAPET

Effective December 6, 2002

Description. This work shall consist of constructing the bridge parapets according to the revised details included herein and the applicable Articles of Section 503 of the Standard Specifications.

The modifications to the quantities involved in the construction of the F shape parapets are not reflected in the bills of materials or the summary of quantities, however the Contractor will be paid for the quantities actually furnished at the unit prices bid for the work involved.

The slipform option will not be allowed.



APPROACH SLAB REMOVAL

This work shall consist of the removal and satisfactory disposal of the existing approach pavements as shown in the plans.

This work shall be performed in accordance with the applicable portions of Section 440 of the Standard Specifications and shall include the removal of the complete approach slab, including all reinforcing and any pavement connectors.

This work will be paid for at the contract unit price per square yard for APPROACH SLAB REMOVAL and no additional compensation shall be allowed.

TRAFFIC CONTROL & PROTECTION DEVICES (ROAD & SIDEROAD/STREET CLOSURES) Eff. 09-11-1990 Rev. 08-06-2007

It is the intent of the Department that FAP 840 (IL 49N)and FAP 837 (IL 49 S/CH 22) be closed to traffic during the construction of this section. During the period of road closure, the Contractor shall provide traffic control devices in accordance with the CADD detail for TRAFFIC CONTROL AND PROTECTION DEVICES (ROAD & SIDEROAD/STREET CLOSURES).

The work and material specified in TRAFFIC CONTROL & PROTECTION DEVICES (ROAD & SIDEROAD/STREET CLOSURES) shall not be paid for separately, but shall be included in the price of the various traffic control items.

Added 04/14/2008