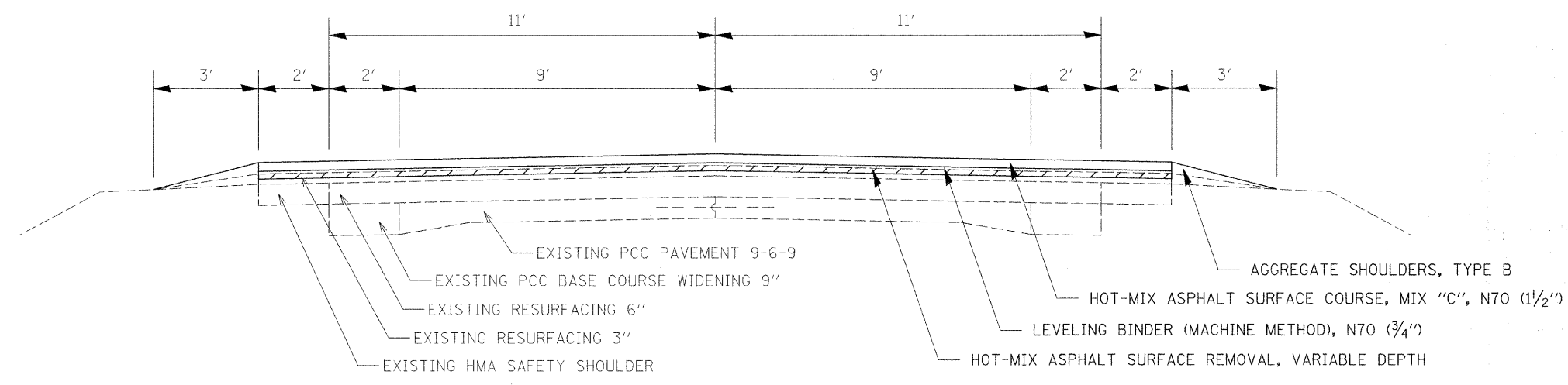
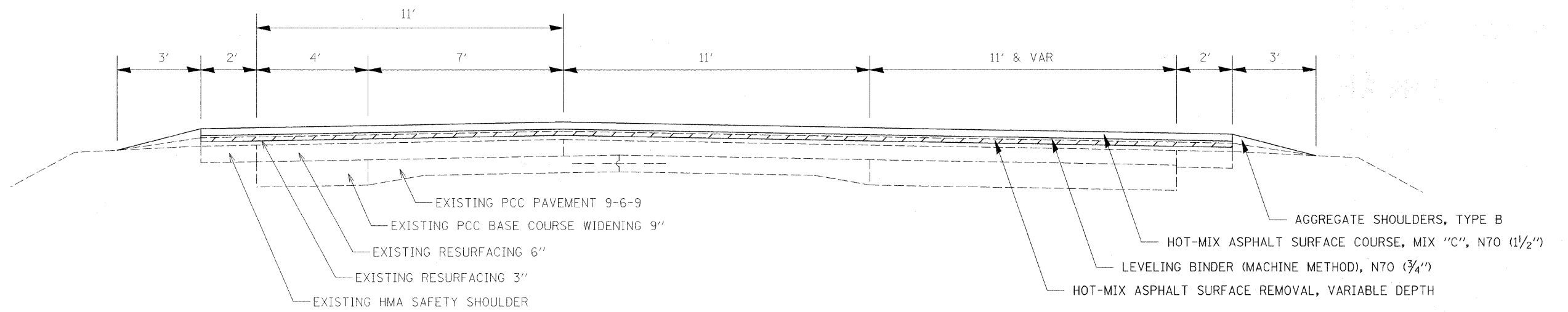


F.A.P. RTE.	SECTION	COUNTY	TOTAL SHEETS	SHEET NO.
322	19RS-4	SHELBY	33	5
STA.		TO STA.		
FED. ROAD DIST. NO.		ILLINOIS FED. AID PROJECT		



STA 1020+00 TO STA 1049+00  
STA 1190+25 TO STA 1248+00



STA 1159+95 TO STA 1173+00

PLOT DATE = 1/25/2008  
 FILE NAME = c:\projects\74144\shelby\typical\_74144.dgn  
 PLOT SCALE = 20,000 / IN.  
 USER NAME = sbrtzm

REVISIONS	
NAME	DATE

ILLINOIS DEPARTMENT OF TRANSPORTATION

**TYPICAL CROSS SECTIONS**

SCALE: VERT. / HORIZ.  
DATE: / /

DRAWN BY: / /  
CHECKED BY: / /