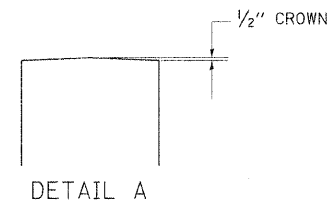
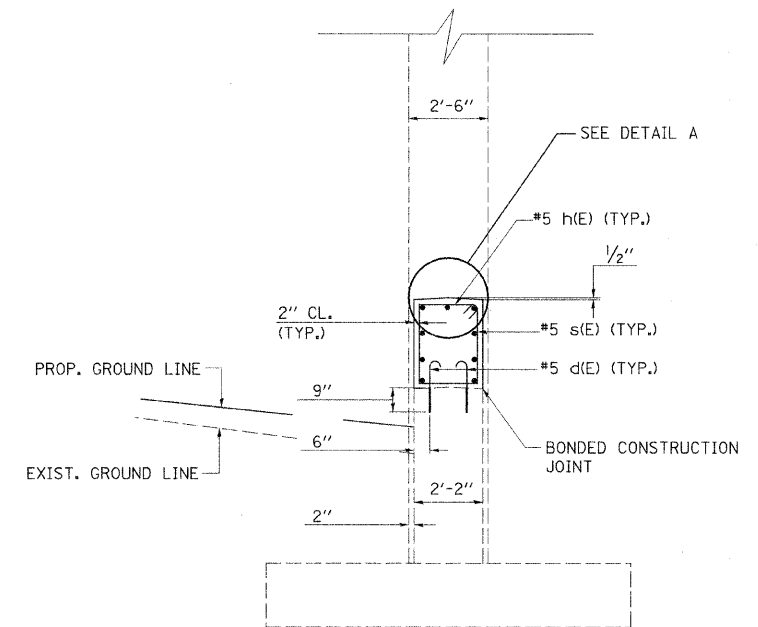
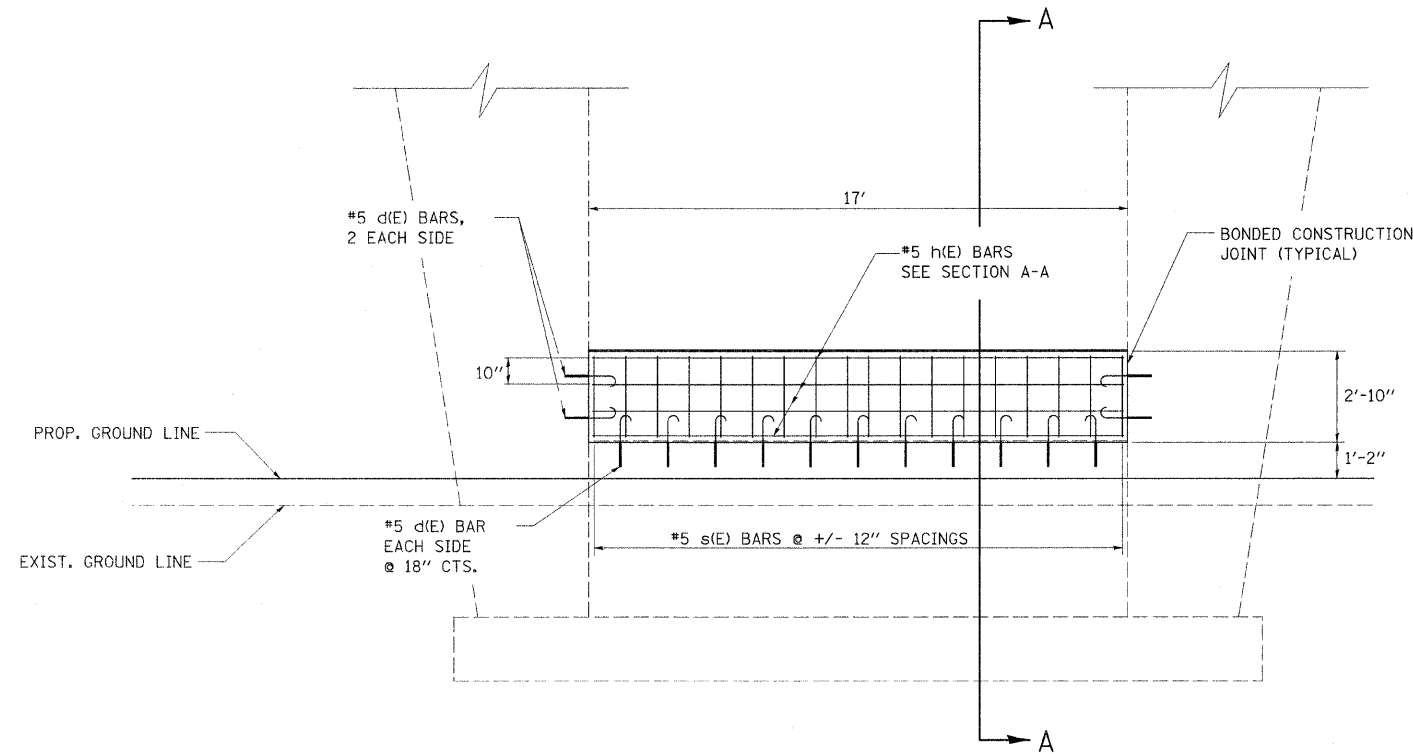
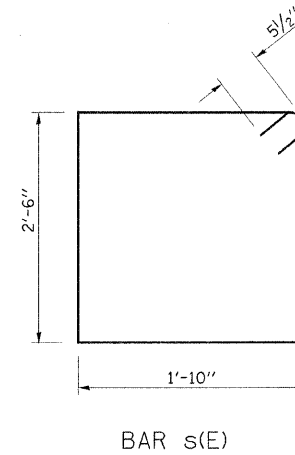
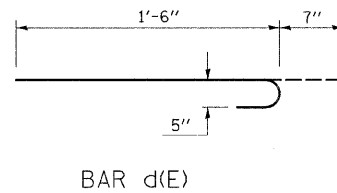


## DETAIL OF CRASHWALL EXTENSION



BAR TABLE

BAR	QTY.	SIZE	LENGTH	SHAPE
d(E)	30	#5	2'-1"	
s(E)	18	#5	9'-7"	
h(E)	9	#5	16'-9"	



BILL OF MATERIALS

ITEM	UNIT	QUANTITY
CONCRETE STRUCTURES	CU.YD.	3.9
REINFORCEMENT BARS, EPOXY COATED	LB.	400

GENERAL NOTES

EPOXY GROUTING SHALL BE DONE IN ACCORDANCE WITH ARTICLE 584 OF THE STANDARD SPECIFICATIONS. THE DRILLED HOLES FOR THE d(E) BARS SHALL BE 1/4" LARGER THAN THE DIAMETER OF THE BAR. THE COST OF THE EPOXY GROUTING AND DRILLING SHALL BE INCLUDED IN THE COST OF REINFORCEMENT BARS, EPOXY COATED.

REINFORCEMENT BARS SHALL CONFORM TO THE REQUIREMENTS OF ASTM A 706 Gr 60 (IL MODIFIED). SEE SPECIAL PROVISIONS

PLAN DIMENSIONS AND DETAILS RELATIVE TO THE EXISTING STRUCTURE HAVE BEEN TAKEN FROM EXISTING PLANS AND ARE SUBJECT TO NOMINAL CONSTRUCTION VARIATIONS. IT SHALL BE THE CONTRACTOR'S RESPONSIBILITY TO VERIFY SUCH DIMENSIONS AND DETAILS IN THE FIELD AND MAKE NECESSARY APPROVED ADJUSTMENTS PRIOR TO CONSTRUCTION OR ORDERING OF MATERIALS. SUCH VARIATIONS SHALL NOT BE CAUSE FOR ADDITIONAL COMPENSATION FOR A CHANGE IN THE SCOPE OF THE WORK. HOWEVER, THE CONTRACTOR WILL BE PAID FOR THE QUANTITY ACTUALLY FURNISHED AT THE UNIT PRICE FOR THE WORK.

REINFORCEMENT BARS LABELED (E) ARE EPOXY COATED BARS