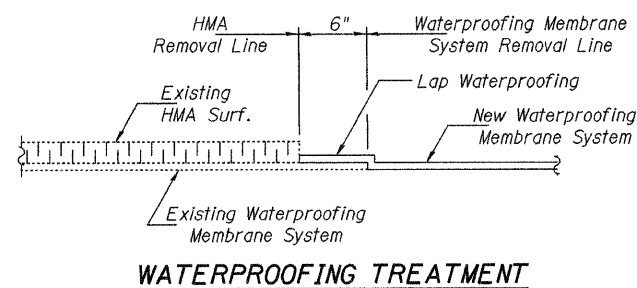
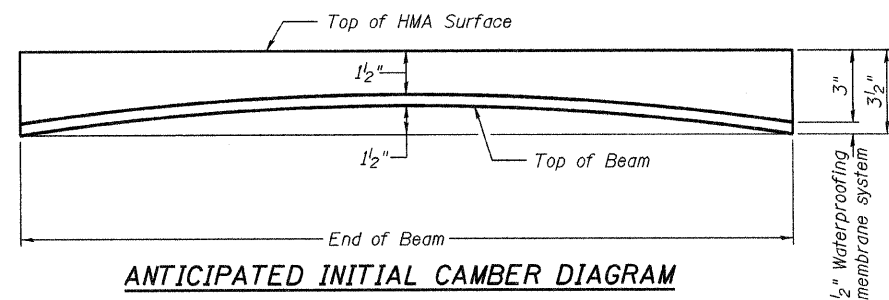
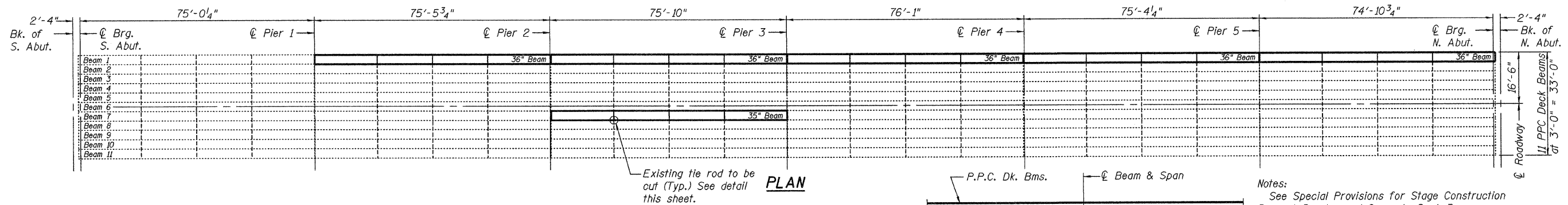
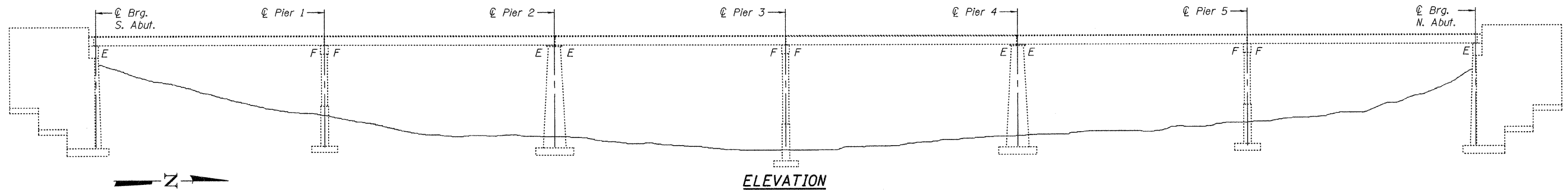


STATE OF ILLINOIS
DEPARTMENT OF TRANSPORTATION

ROUTE NO.	SECTION	COUNTY	TOTAL SHEETS	SHEET NO.
		Lawrence	11	9
Contract Number: 74290				

SHEET NO. 1
3 SHEETS



GENERAL NOTES

The contractor is advised that the existing PPC Deck Beams are in a deteriorated condition with reduced load carrying capacity. It is the contractor's responsibility to account for the condition of the beams when developing construction procedures.

Any damage done to the bridge during beam removal shall be repaired by the Contractor. Cost to be included in the cost of Removal of Existing PPC Deck Beams.

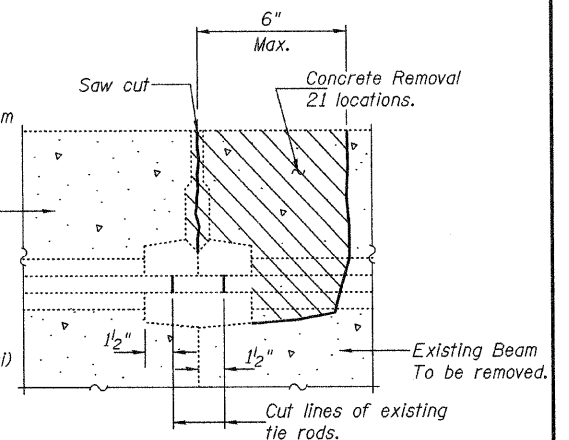
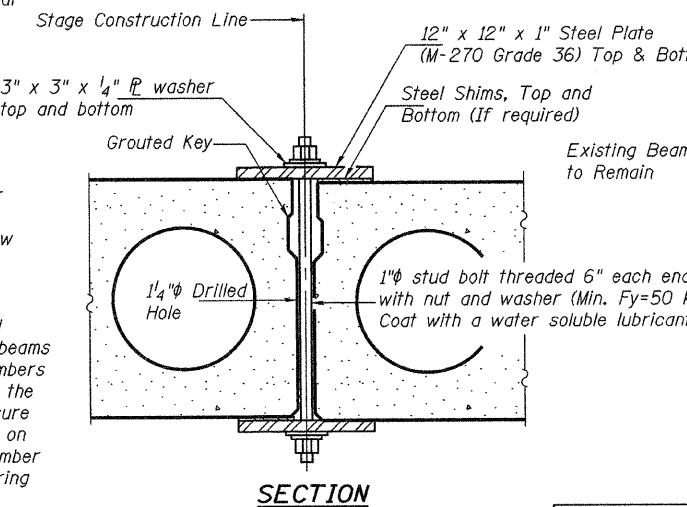
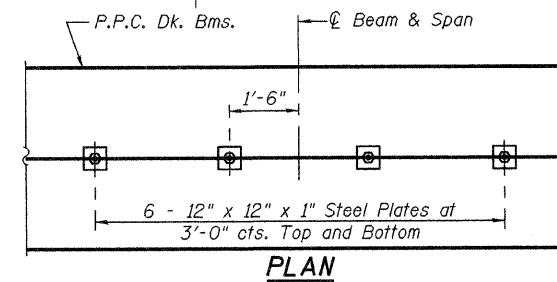
The top surface of the beams shall be finished according to the IDOT Manual for Fabrication of Precast Prestressed Concrete Products.

Plan dimensions and details relative to existing plans are subject to routine variations. The Contractor shall field verify existing dimensions and details affecting new construction and make necessary approved adjustments prior to construction or ordering of materials. Such variations shall not be cause for additional compensation for a change in scope of the work, however, the Contractor will be paid for the quantity actually furnished based upon the unit price bid for the work.

All structural steel shall be shop painted with the inorganic zinc rich primer per AASHTO M300, Type 1. Cost included with PPC Deck Beams.

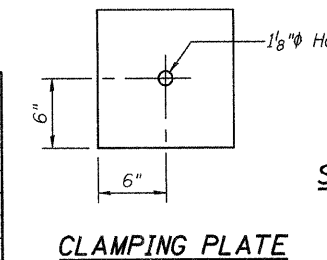
If the contractor's procedure for existing beam removal or placement of new beams involves placement of cranes or other heavy equipment on the bridge, a detailed procedure shall be submitted to the Engineer for approval. The procedure shall include calculations, prepared and sealed by an Illinois Licensed Structural Engineer, verifying that the equipment and procedure used will not overstress the new or existing beams. To distribute load to multiple beams and protect the existing surface, in all cases a double layer mat of heavy timbers shall be used at all times under crane tracks or wheels and any outriggers in the down position. If necessary, shims shall be used under the crane mat to ensure uniform contact with the underlying beams. If heavy equipment will be placed on new PPC deck beams, the following shall be done prior to placement of the timber mats: placement and tightening of transverse tie assemblies, grouting and curing the dowel rods 24 hours minimum and grouting and curing the shear keys.

Temporary Concrete barrier shall only be anchored into the overlay and not into the PPC Deck Beams.



TOTAL BILL OF MATERIAL

ITEM	UNIT	QUANTITY
Removal of Existing PPC Deck Beams	Sq. Ft.	1360
Hot Mix Asphalt Surface Removal	Sq. Yd.	30.2
PPC Deck Beams 33" Depth	Sq. Ft.	1354
Hot Mix Asphalt Surface Course Mix "C" N50	Ton	23.0
Waterproofing Membrane System	Sq. Yd.	181
PC Mortar Fairing Course	Foot	529
Removing and Re-erecting Existing Railing	Foot	378



**DESIGN STRESSES
PRECAST UNITS**

$f'_c = 5,000$ psi
 $f'_{ci} = 4,000$ psi
 $f'_s = 270,000$ psi ($1/2$ " ϕ low lax strands)
 $f'_{si} = 201,960$ psi ($1/2$ " ϕ low lax strands)

DESIGNED	Adrian T. Holloway	February 22, 2008
CHECKED	[Signature]	EXAMINED [Signature]
DRAWN	[Signature]	PASSED [Signature]
CHECKED	ATH	ABB



Expires: November 30, 2008

**PLAN AND ELEVATION
S.B.I. RT. 1 / EMBARRAS RIVER
LAWRENCE COUNTY
SN 051-0006**