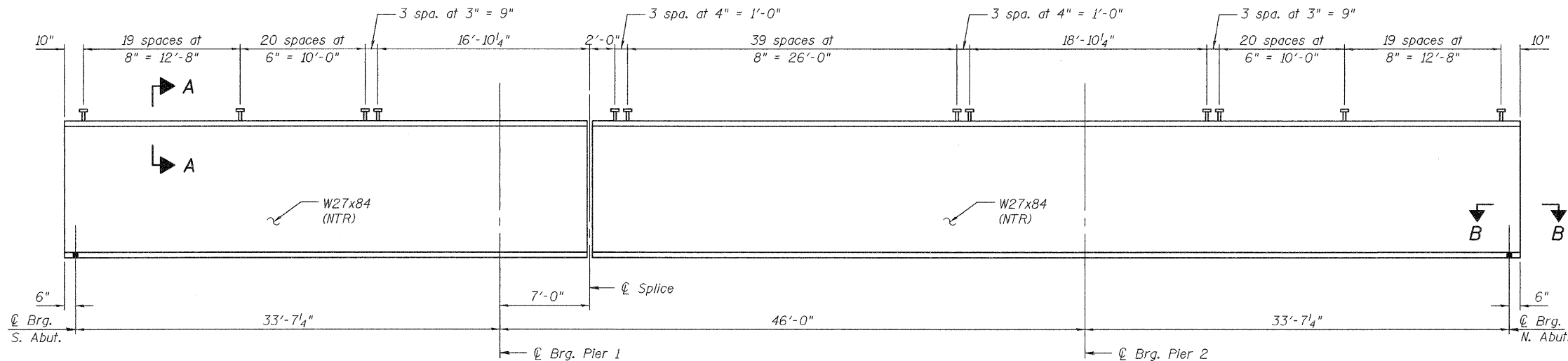


STATE OF ILLINOIS
DEPARTMENT OF TRANSPORTATION

ROUTE NO.	SECTION	COUNTY	TOTAL SHEETS	SHEET NO.	SHEET NO. 16
F.A.P. 304	5BR-2	CALHOUN	68	40	28 SHEETS
FED. ROAD DIST. NO. 7	ILLINOIS	FED. AID PROJECT			

Contract #76948

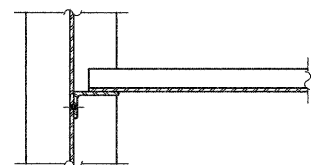


BEAM ELEVATION
(6 Required)

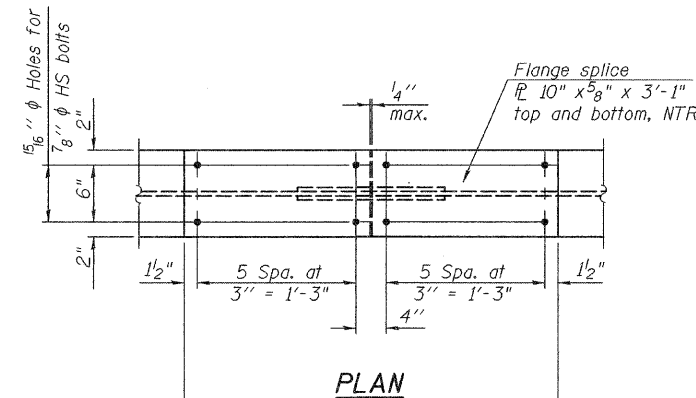
***TOP OF BEAM ELEVATIONS**

Location	Gdr. #1	Gdr. #2	Gdr. #3	Gdr. #4	Gdr. #5	Gdr. #6
☉ Brg. at South Abut.	437.87	437.52	437.16	436.81	436.46	436.11
☉ Brg. at Pier 1	437.93	437.58	437.23	436.87	436.52	436.17
☉ Splice	437.94	437.59	437.24	436.88	436.53	436.17
☉ Brg. at Pier 2	437.98	437.62	437.27	436.91	436.55	436.19
☉ Brg. at North Abut.	437.98	437.62	437.26	436.90	436.54	436.18

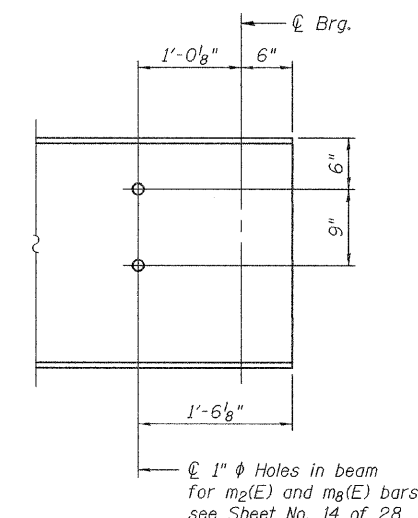
* For fabrication only



SECTION C-C

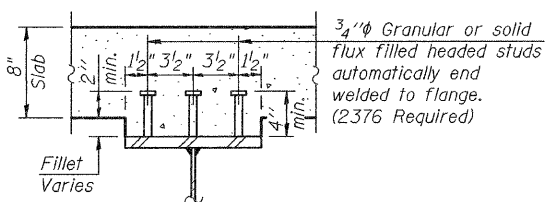


PLAN

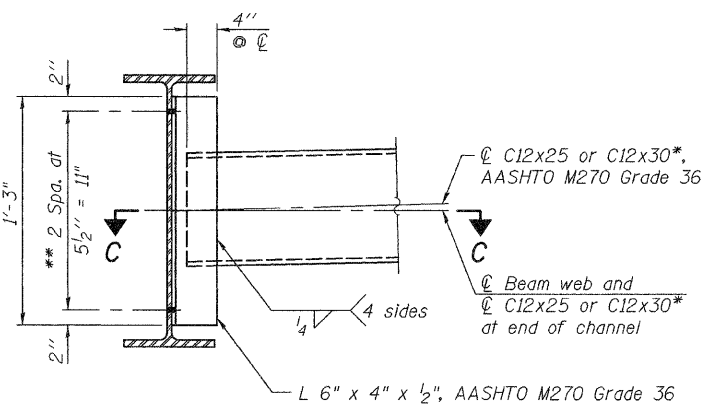


END OF GIRDER ELEVATION

(N. Abut. end shown
S. Abut. end similar)

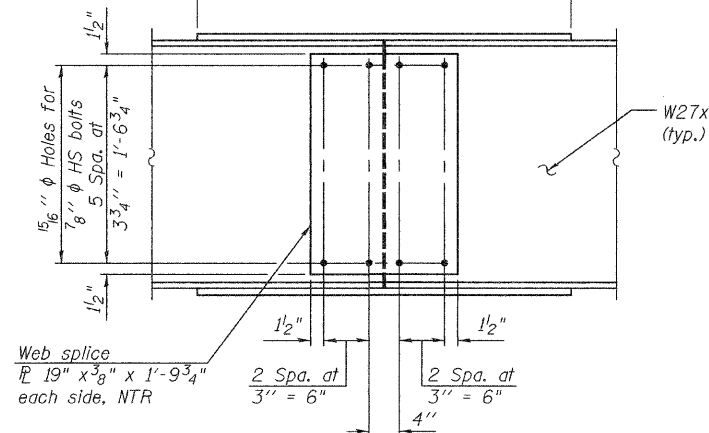


SECTION A-A



INTERIOR DIAPHRAGM
(25 Required)

Notes:
Two hardened washers required for each set of oversized holes with one washer on each side of the connection.
See the Framing Plan on Sheet No. 15 of 28 for locations of interior diaphragms.
* Alternate channels are permitted to facilitate material acquisition. Calculated weight of structural steel is based on the lighter section.
** 3/4" φ HS bolts, 1 1/16" φ holes



ELEVATION

SPLICE DETAIL
(6 Required)

Note:
Load carrying components designated "NTR" shall conform to the Supplemental Requirements for Notch Toughness, Zone 2.

DESIGNED	YSS
CHECKED	RLM
DRAWN	PRC
CHECKED	RLM



02/27/08

BEAM DETAILS
IL. ROUTE 100 OVER
CRAWFORD CREEK
F.A.P. ROUTE 304 - SECTION 5BR-2
CALHOUN COUNTY
STATION 467+59.00
STRUCTURE NO. 007-0027