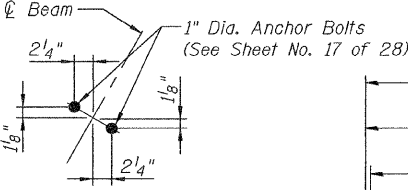
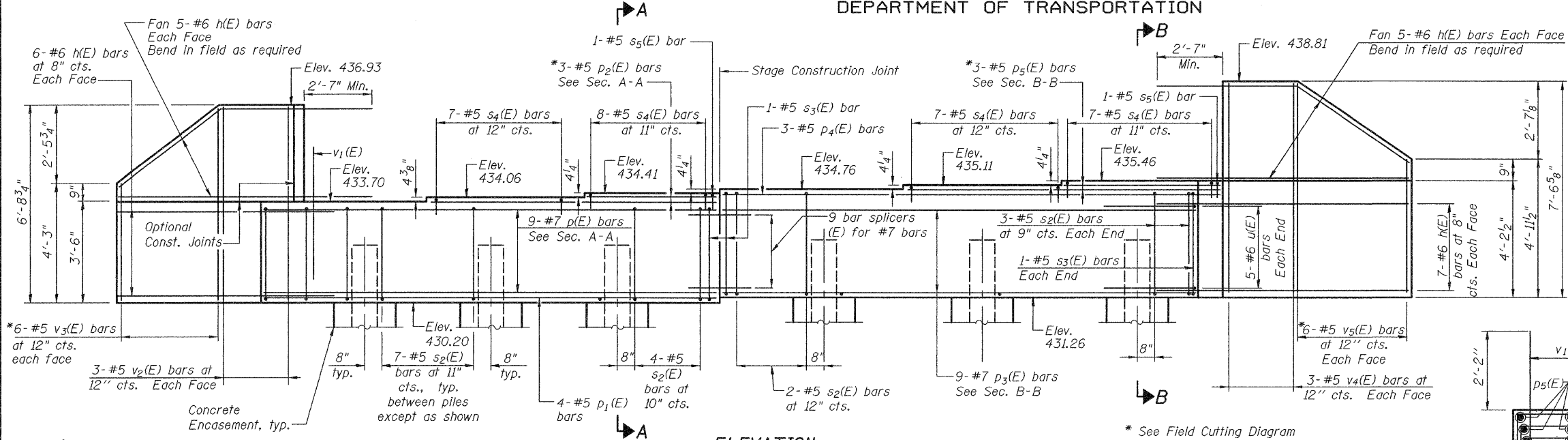


Notes: Four steps monolithically with cap.
Space reinforcement in cap to miss anchor bolts.

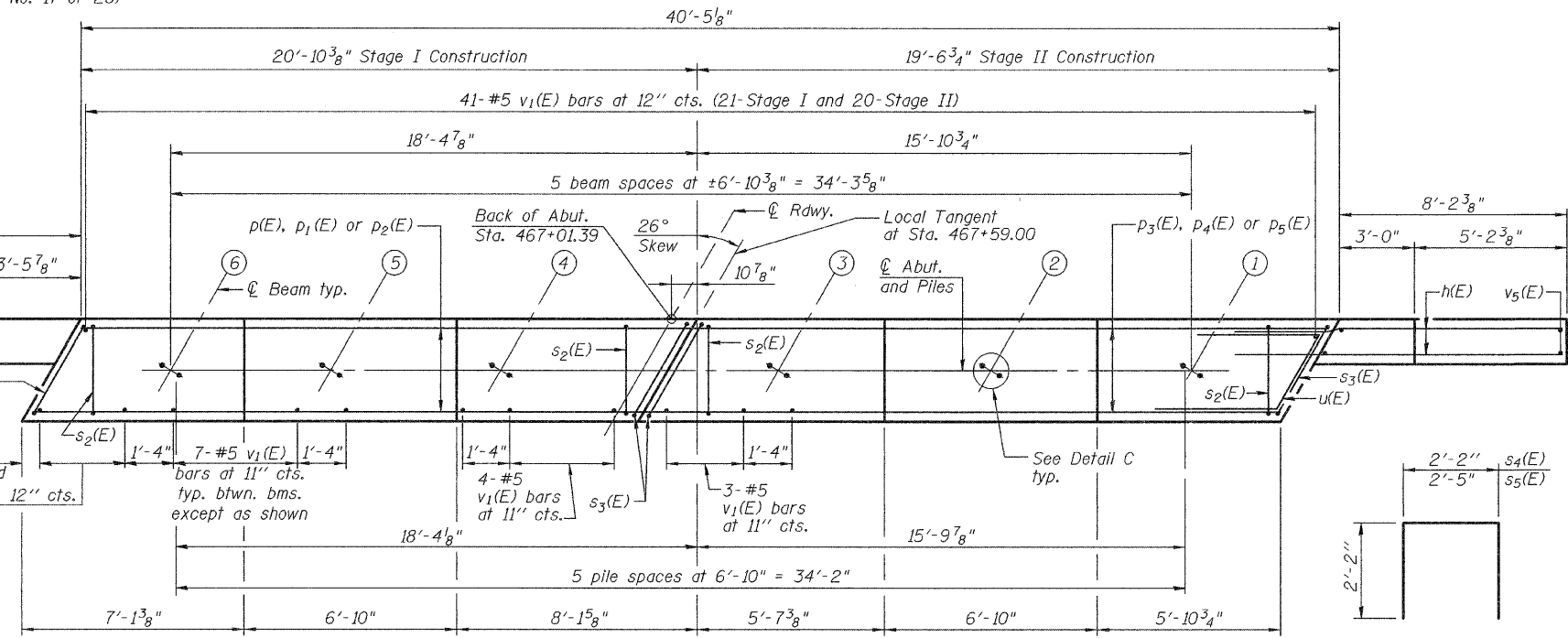
STATE OF ILLINOIS
DEPARTMENT OF TRANSPORTATION

ROUTE NO.	SECTION	COUNTY	TOTAL SHEETS	SHEET NO.
F.A.P. 304	5BR-2	CALHOUN	68	42
FED. ROAD DIST. NO. 7		ILLINOIS	FED. AID PROJECT-	

SHEET NO. 18
28 SHEETS



DETAIL C



PLAN

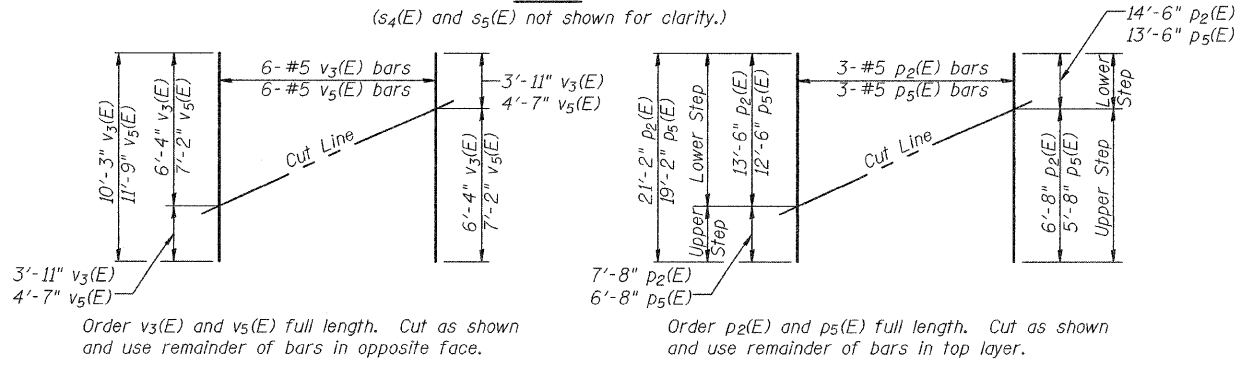
PILE DATA

Type: Steel HP 12x53
Nominal Required Bearing: 340 kips
Factored Resistance Available: 170 kips
Est. Length: 53 ft
No. Production Piles: 5
No. Test Piles: 1

DESIGNED	YSS
CHECKED	RLM
DRAWN	AEC
CHECKED	YSS

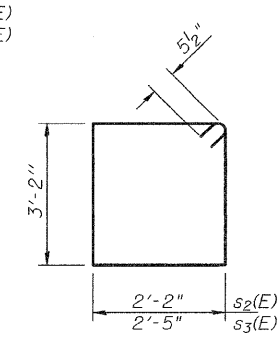


02/27/08



FIELD CUTTING DIAGRAM

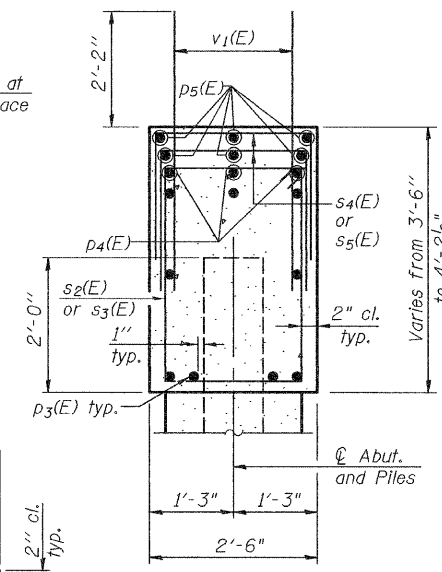
BARS s4(E) & s5(E)



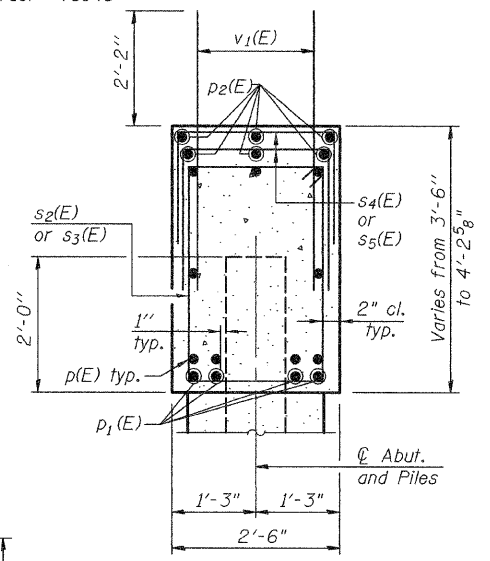
BARS s2(E) & s3(E)



SEC. B-B



SEC. A-A



BILL OF MATERIAL

Bar No.	Size	Length	Shape
h(E)	46 #6	11'-7"	
p(E)	9 #7	20'-6"	
p1(E)	4 #5	20'-6"	
p2(E)	3 #5	21'-2"	
p3(E)	9 #7	19'-3"	
p4(E)	3 #5	19'-3"	
p5(E)	3 #5	19'-2"	
s2(E)	40 #5	11'-7"	
s3(E)	4 #5	12'-1"	
s4(E)	29 #5	6'-6"	
s5(E)	2 #5	6'-9"	
u(E)	10 #6	9'-5"	
v1(E)	82 #5	4'-4"	
v2(E)	6 #5	6'-5"	
v3(E)	6 #5	10'-3"	
v4(E)	6 #5	7'-3"	
v5(E)	6 #5	11'-9"	
Structure Excavation	Cu. Yd.	159	
Concrete Structures	Cu. Yd.	18.4	
Reinforcement Bars, Epoxy Coated	Pound	3,290	
Furnishing Steel Piles HP 12x53	Foot	265	
Driving Piles	Foot	265	
Test Pile Steel HP 12x53	Each	1	
Concrete Encasement	Cu. Yd.	2.1	

For details of Bar Splicers, see Sheet No. 24 of 28.
For details of piles and Concrete Encasement, see Sheet No. 23 of 28.

SOUTH ABUTMENT DETAILS

IL. ROUTE 100 OVER
CRAWFORD CREEK
F.A.P. ROUTE 304 - SECTION 5BR-2
CALHOUN COUNTY
STATION 467+59.00
STRUCTURE NO. 007-0027