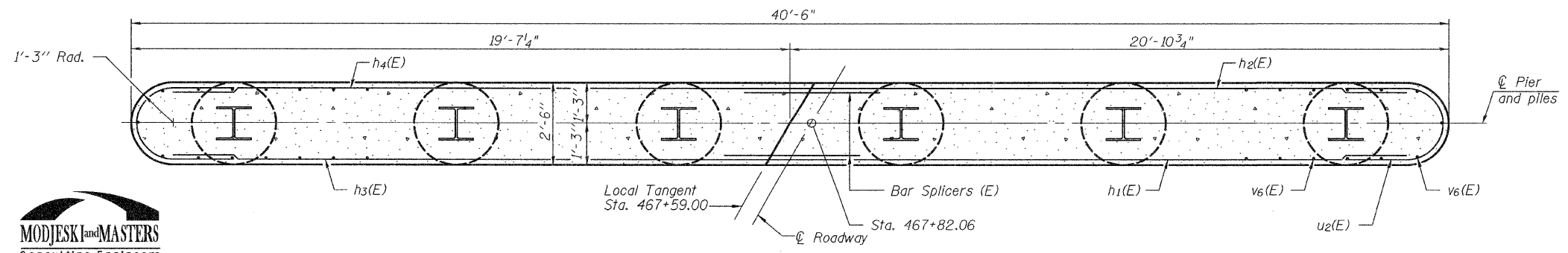
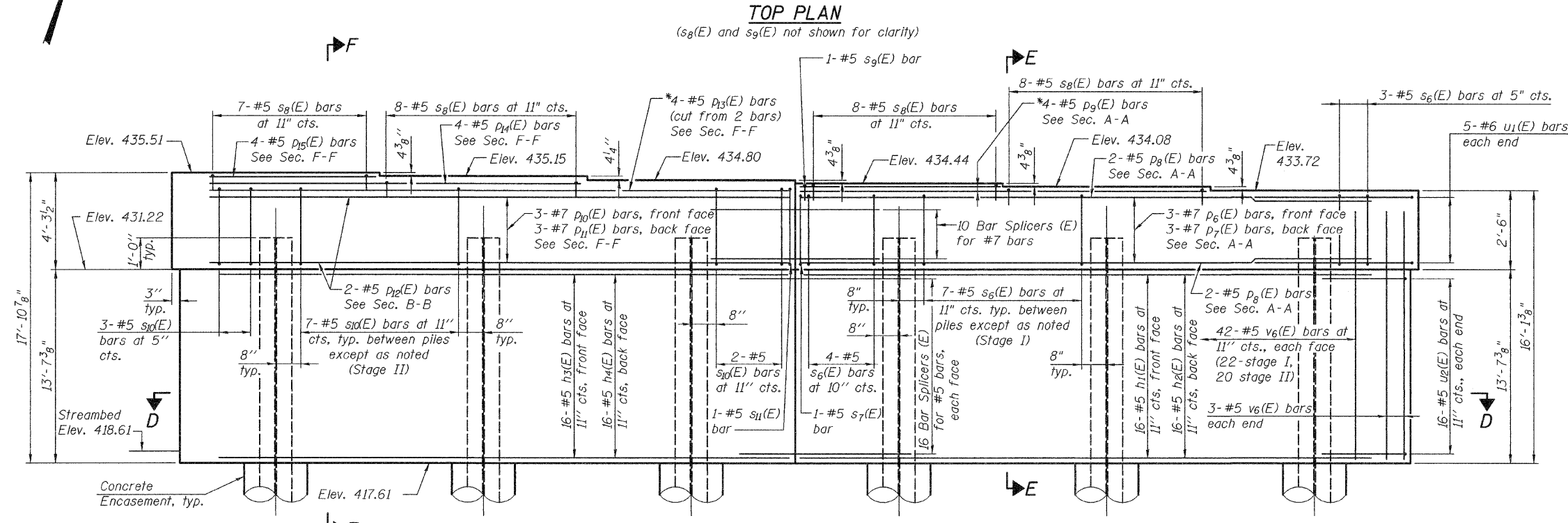
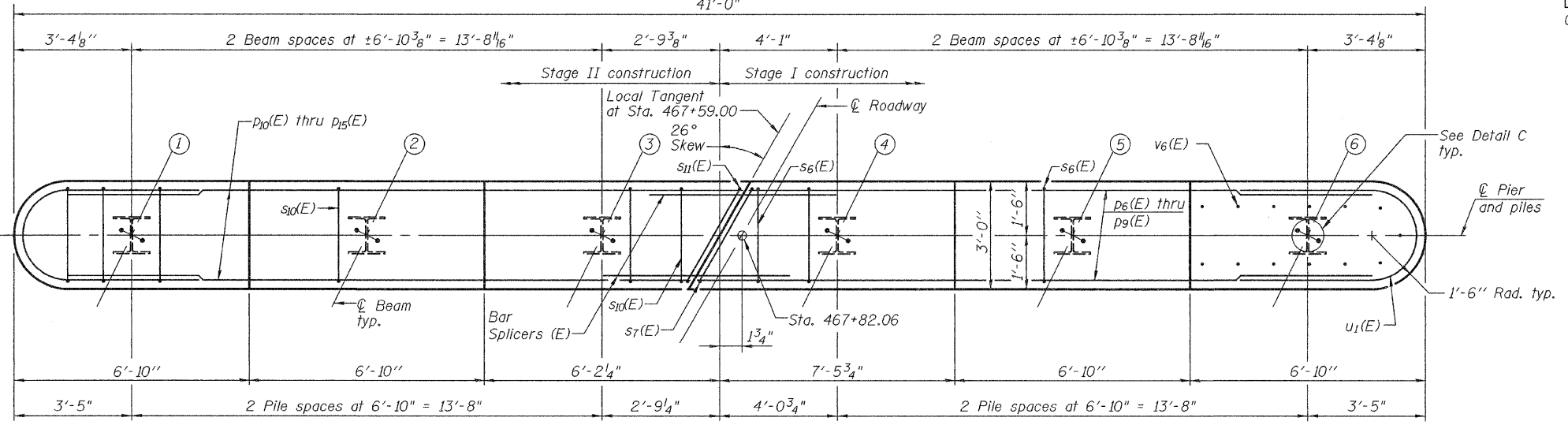
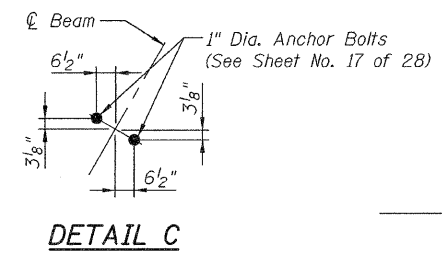


Notes:
 Pour steps monolithically with cap.
 Space reinforcement in cap to miss anchor bolts.

STATE OF ILLINOIS
 DEPARTMENT OF TRANSPORTATION
 41'-0"

ROUTE NO.	SECTION	COUNTY	TOTAL SHEETS	SHEET NO.
F.A.P. 304	5BR-2	CALHOUN	48	45
FED. ROAD DIST. NO. 7		ILLINOIS	FED. AID PROJECT-	

SHEET NO. 21
 28 SHEETS
 Contract #76948



BILL OF MATERIAL

Bar	No.	Size	Length	Shape
h1(E)	16	#5	20'-0"	—
h2(E)	16	#5	19'-0"	—
h3(E)	16	#5	17'-9"	—
h4(E)	16	#5	18'-9"	—
p6(E)	3	#7	20'-1"	—
p7(E)	3	#7	18'-11"	—
p8(E)	4	#7	19'-4"	—
p9(E)	*4	#5	21'-4"	—
p10(E)	3	#7	17'-7"	—
p11(E)	3	#7	18'-10"	—
p12(E)	4	#7	18'-0"	—
p13(E)	*2	#5	36'-5"	—
p14(E)	4	#5	12'-1"	—
p15(E)	4	#5	5'-3"	—
s6(E)	21	#5	10'-7"	□
s7(E)	1	#5	11'-3"	□
s8(E)	31	#5	7'-0"	□
s9(E)	1	#5	7'-4"	□
s10(E)	19	#5	12'-9"	□
s11(E)	1	#5	13'-5"	□
u1(E)	10	#6	11'-1"	U
u2(E)	32	#5	10'-7"	U
v6(E)	90	#5	15'-1"	—
Structure Excavation		Cu. Yd.	37	
Concrete Structures		Cu. Yd.	65.6	
Reinforcement Bars, Epoxy Coated		Pound	4,950	
Furnishing Steel Piles HP 14x89		Foot	310	
Driving Piles		Foot	310	
Test Pile Steel HP 14x89		Each	1	
Concrete Encasement Underwater Structure Excavation Protection-Location #2		Cu. Yd.	3.3	
		Each	1	

For details of bar splicer, see Sheet No. 24 of 28.
 For details of piles and concrete encasement, see Sheet No. 23 of 28.
 For details of Section E-E and F-F, see Sheet No. 22 of 28.
 For bar dimensions, see Sheet No. 22 of 28.

PILE DATA

Type: Steel HP 14x89
 Nominal Required Bearing: 600 kips
 Allowable Resistance Available: 240 kips
 Est. Length: 62 ft
 No. Production Piles: 5
 No. Test Piles: 1

PIER 2 DETAILS
 IL. ROUTE 100 OVER
 CRAWFORD CREEK
 F.A.P. ROUTE 304 - SECTION 5BR-2
 CALHOUN COUNTY
 STATION 467+59.00
 STRUCTURE NO. 007-0027

DESIGNED	YSS
CHECKED	RLM
DRAWN	AEC
CHECKED	RLM



02/27/08