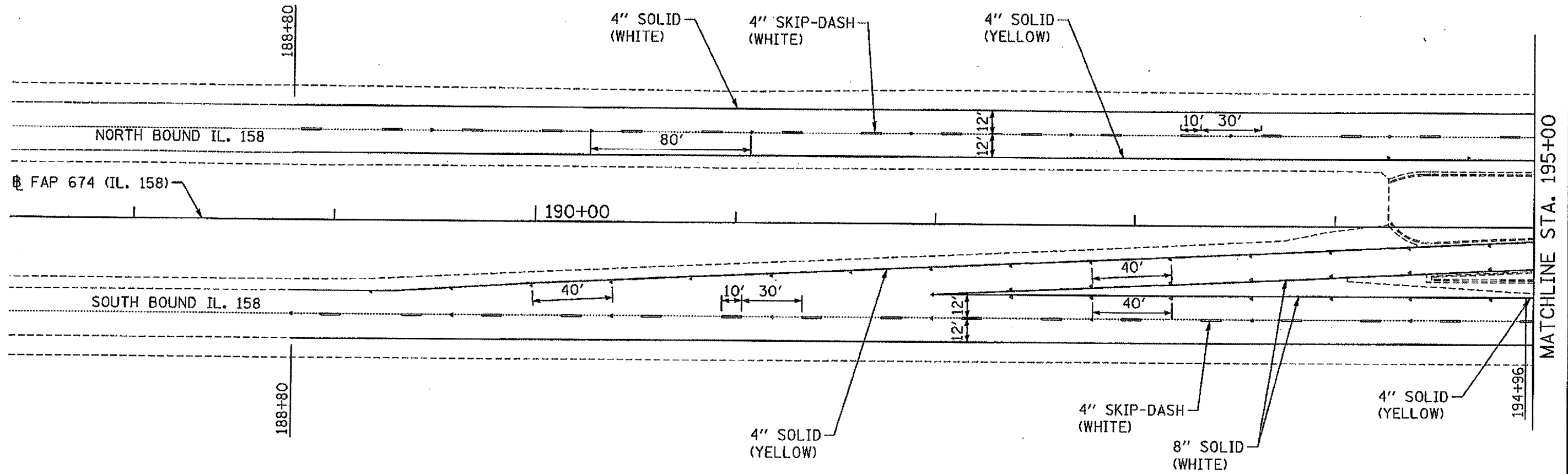
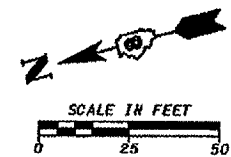


LEGEND

- ◀ RAISED REFLECTIVE PAVEMENT MARKERS (ONE-WAY AMBER)
- ◀ RAISED REFLECTIVE PAVEMENT MARKERS (ONE-WAY CRYSTAL)



NOTE:
STANDARD 780001 APPLIES
FOR ALL PAVEMENT MARKINGS



FILE NAME = C27_PWB_LWHERRY.dgn	USER NAME = euelz	DESIGNED - DHP	REVISED - 03/12/08	STATE OF ILLINOIS DEPARTMENT OF TRANSPORTATION	PAVEMENT MARKING PLAN - IL 158 AT WHERRY ROAD	F.A.P. RTE. 674	SECTION 410, 410-1-I	COUNTY ST. CLAIR	TOTAL SHEETS 41	SHEET NO. 27	
	PLOT SCALE = 25x1	DRAWN - EDW	REVISED -			SCALE:	SHEET NO. OF SHEETS	STA.	TO STA.	FED. ROAD DIST. NO.	ILLINOIS FED. AID PROJECT
	PLOT DATE = 3/12/2008	CHECKED - SAR	REVISED -			CONTRACT NO. 76B14					
		DATE - 01/30/08	REVISED -								