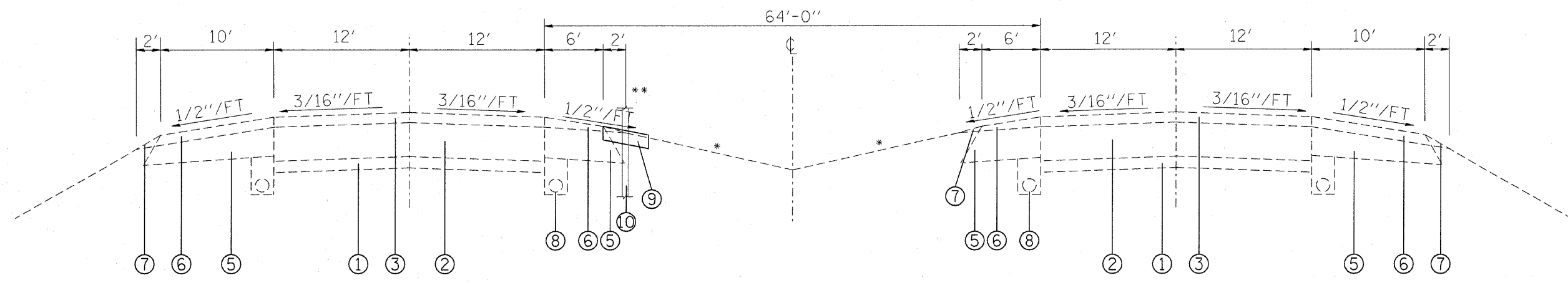


F.A.I. RTE.	SECTION	COUNTY	TOTAL SHEETS	SHEET NO.
270	60-(1,2,3,4,5)I	MADISON	46	9
STA. _____		TO STA. _____		
FED. ROAD DIST. NO. _____		ILLINOIS FED. AID PROJECT		



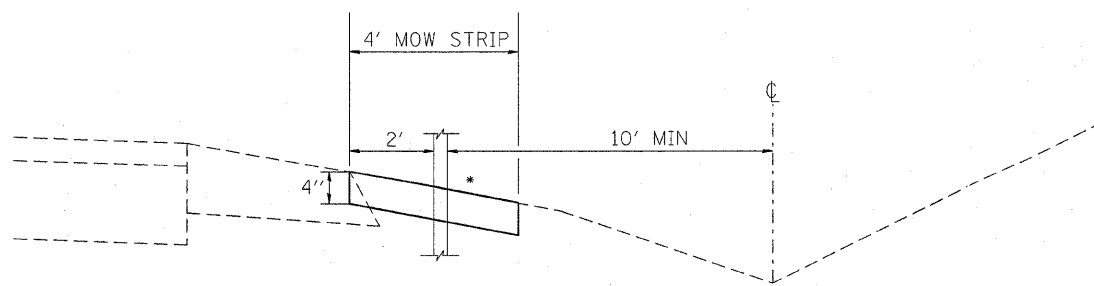
TYPICAL SECTION
STA. 610+00 TO STA. 738+00

* MEDIAN SLOPES VARY 4:1 AND FLATTER

** LOCATION OF HTC AND MOW STRIP VARIES BETWEEN EB AND WB LANES. SEE PLAN SHEETS FOR LOCATIONS.

LEGEND

- ① EXISTING 6" SUB-BASE GRANULAR MATERIAL
- ② EXISTING PCC PAVEMENT, 10"
- ③ EXISTING HOT-MIX ASPHALT OVERLAY
- ④ EXISTING CONCRETE MEDIAN
- ⑤ EXISTING HOT-MIX ASPHALT SHOULDER
- ⑥ EXISTING HOT-MIX ASPHALT SHOULDER OVERLAY
- ⑦ EXISTING AGG. SHOULDER WEDGE
- ⑧ EXISTING UNDERDRAINS
- ⑨ PROPOSED HOT MIX-ASPHALT SHOULDER, 4" (MOW STRIP)
- ⑩ PROPOSED HIGH TENSION CABLE MEDIAN BARRIER



* MATCH EXISTING SLOPE;
MUST BE 4:1 OR FLATTER.

REVISIONS	
NAME	DATE

ILLINOIS DEPARTMENT OF TRANSPORTATION
TYPICAL SECTIONS
AREA #3
FAI RTE 270
SECTION 60-(1,2,3,4,5)I
MADISON COUNTY

SCALE: VERT. _____
HORIZ. _____
DATE _____ DRAWN BY _____
CHECKED BY _____

PLOT DATE = 12/12/2007
 FILE NAME = c:\projects\76b17\plan\76b17.dgn
 PLOT SCALE = 1/8" = 1'-0"
 REFERENCE = AREA #3