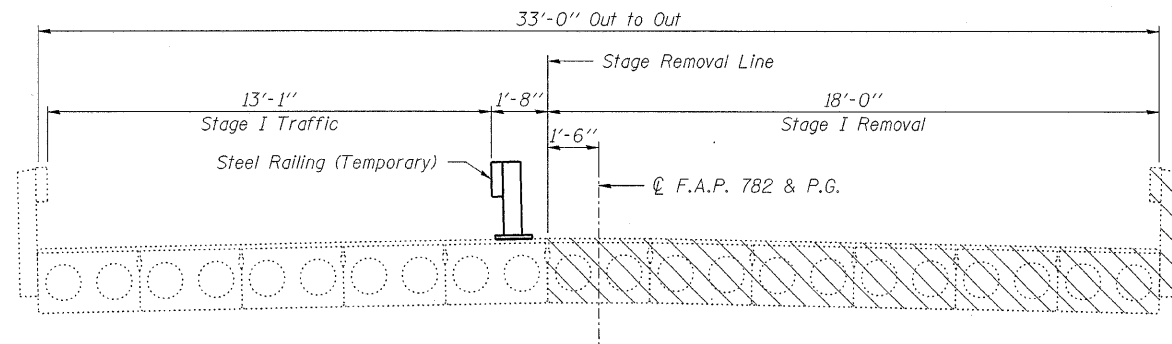


STATE OF ILLINOIS
DEPARTMENT OF TRANSPORTATION

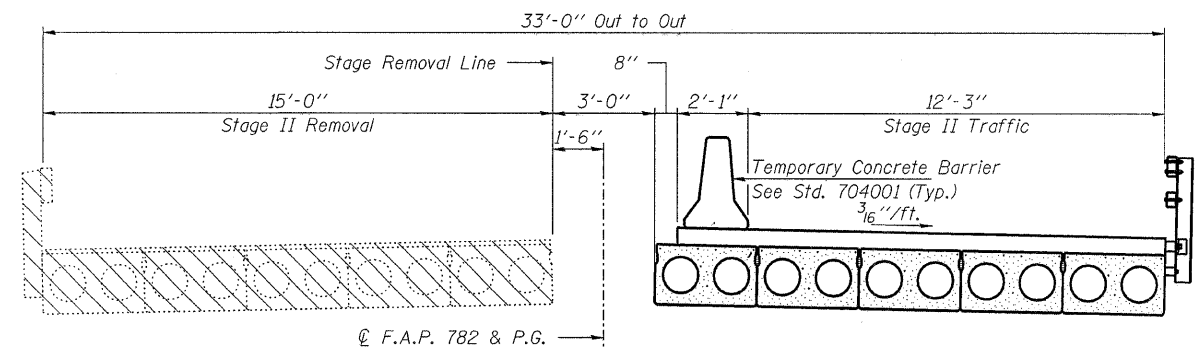
ROUTE NO.	SECTION	COUNTY	TOTAL SHEETS	SHEET NO.
F.A.P. 782	115BR-1	Hardin	83	22
FED. ROAD DIST. NO. 7	ILLINOIS	FED. AID PROJECT-		

SHEET NO. 3
16 SHEETS

Contract #78026

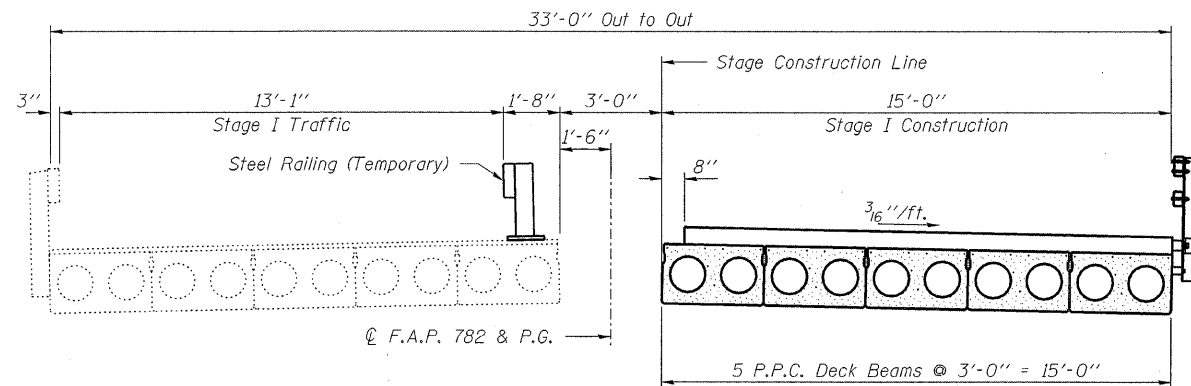


STAGE I REMOVAL

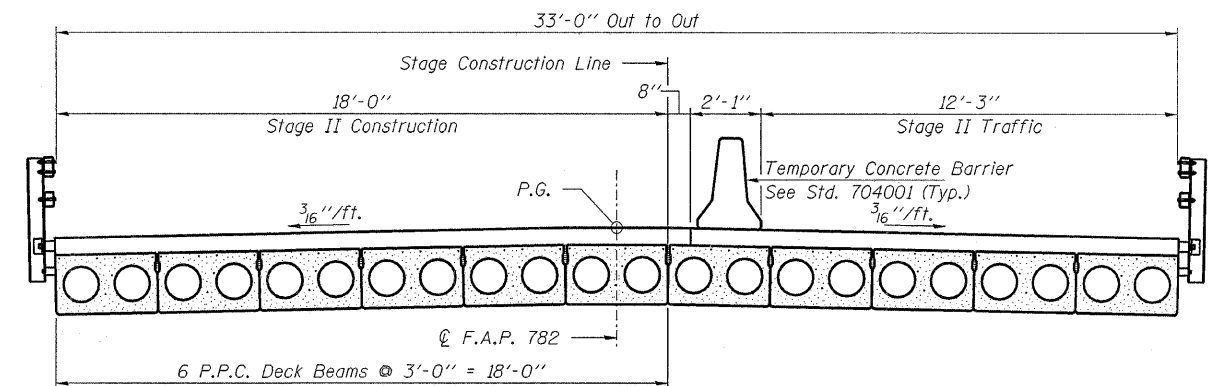


STAGE II REMOVAL

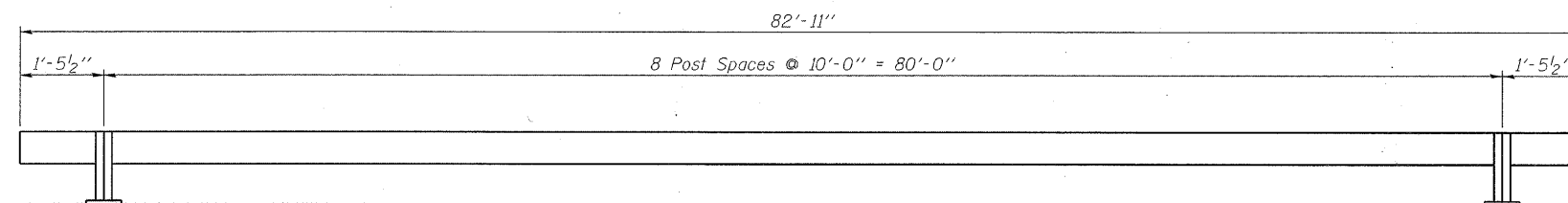
- Notes:
1. All views are looking Southeast.
 2. See Sheet 7 of 16 for shear key clamping details.
 3. See Roadway Plans for quantity of Temporary Concrete Barrier.



STAGE I CONSTRUCTION



STAGE II CONSTRUCTION



STEEL RAILING (TEMPORARY POST SPACING)

HAMPTON, LENZINI & RENWICK, INC.
CIVIL & STRUCTURAL ENGINEERS
LAND SURVEYORS

3085 STEVENSON DRIVE, SUITE 201
SPRINGFIELD, ILLINOIS 62703
(217) 546-3400

ELGIN • SPRINGFIELD

PROJECT NUMBER: 12-98-0016-1 DATE: 01/18/08
DESIGNED: M.D.C. CHECKED: S.M.S. DRAWN: D.T.M.

STAGE CONSTRUCTION DETAILS

IL. ROUTE 1 OVER HARRIS CREEK
F.A.P. ROUTE 782 / SECTION 115BR-1
HARDIN COUNTY
STATION 927+65
STRUCTURE NO. 035-0001