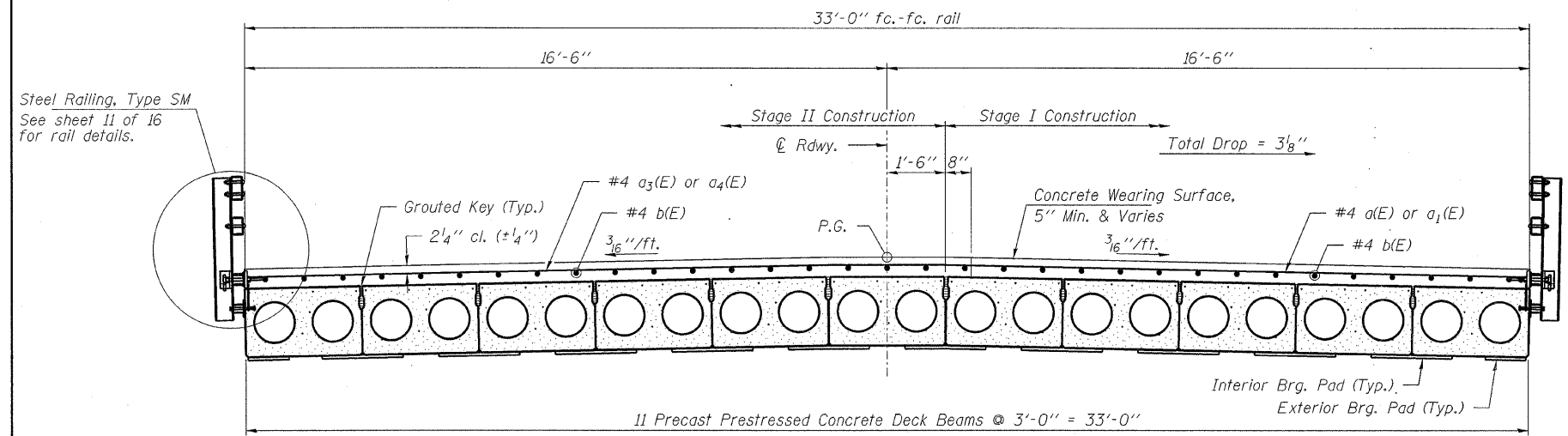


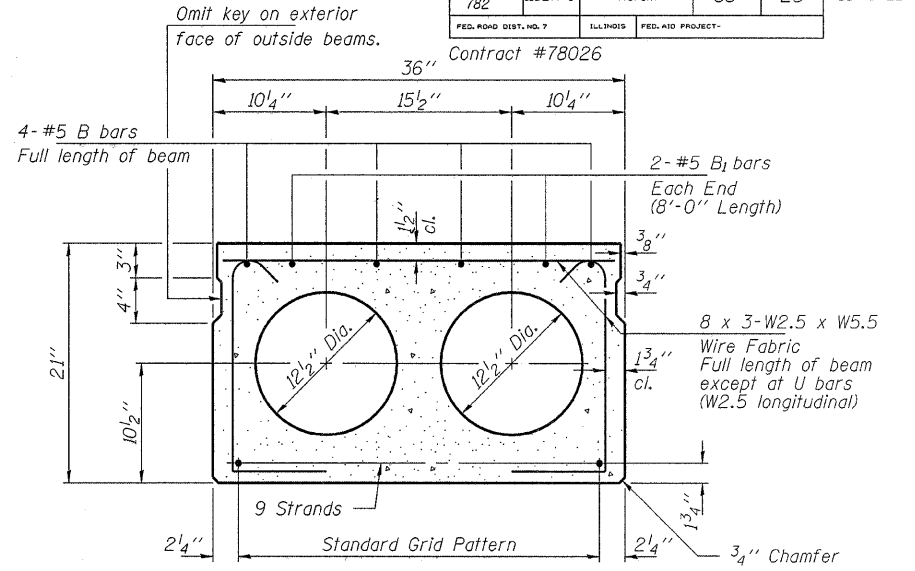
STATE OF ILLINOIS
DEPARTMENT OF TRANSPORTATION

| | | | | |
|-----------------------|---------|-----------------|------------------|-----------|
| ROUTE NO. | SECTION | COUNTY | TOTAL SHEETS | SHEET NO. |
| F.A.P. 782 | I15BR-1 | Hardin | 83 | 25 |
| FED. ROAD DIST. NO. 7 | | ILL. PROJ. NO. | FED. AID PROJECT | |
| | | Contract #78026 | | |

SHEET NO. 6
16 SHEETS



CROSS SECTION
(Looking Southeast)

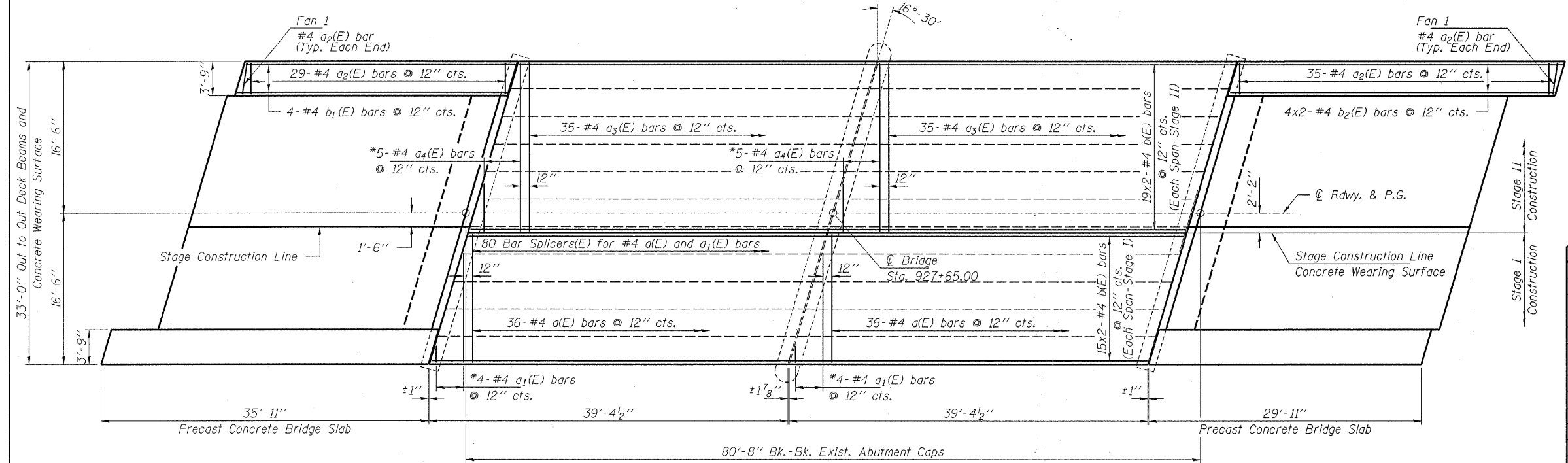


TYPICAL SECTION

9-1/2" Strands, Each Strand Stressed to 30,900 Lbs.
9-Strands 1 3/4" up

- Notes:
- Place strands symmetrically about centerline of beam.
 - See Sheet 7 of 16 for additional details applicable to fascia beams.

MIN. BAR LAP
#4 bar = 1'-8"



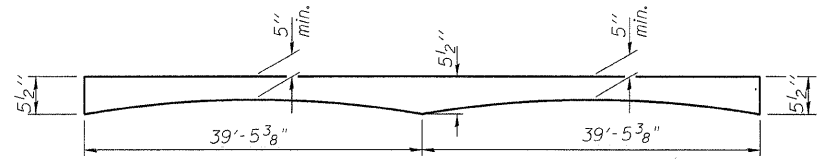
PLAN - RC WEARING SURFACE

* Order a1(E) and a4(E) bars full length, cut to fit skew and use remainder of bars in opposite end of span.

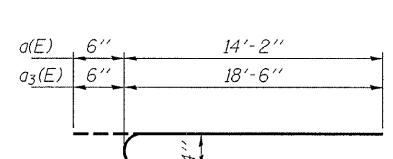
BILL OF MATERIAL

| BAR | NO. | SIZE | LENGTH | SHAPE |
|---|-----|---------|--------|-------|
| a(E) | 72 | #4 | 14'-8" | C |
| a1(E) | 8 | #4 | 13'-0" | C |
| a2(E) | 136 | #4 | 4'-6" | C |
| a3(E) | 70 | #4 | 19'-0" | C |
| a4(E) | 10 | #4 | 17'-4" | C |
| b(E) | 136 | #4 | 20'-5" | — |
| b1(E) | 8 | #4 | 29'-8" | — |
| b2(E) | 16 | #4 | 18'-8" | — |
| Bridge Deck Grooving | | Sq. Yd. | 350 | |
| Protective Coat | | Sq. Yd. | 350 | |
| Precast Prestressed Concrete Deck Beams (21" Depth) | | Sq. Ft. | 2,599 | |
| Reinforcement Bars, Epoxy Coated | | Pound | 4,400 | |
| Concrete Wearing Surface, 5" | | Sq. Yd. | 350 | |

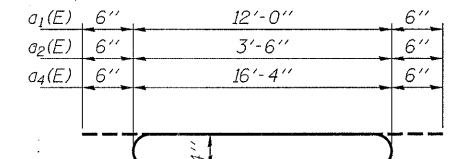
Bars indicated thus 15x2-#4 etc. indicates 15 lines of bars with 2 lengths per line. For additional superstructure details, see sheets 7 & 8 of 16.



REINFORCED CONCRETE WEARING SURFACE PROFILE



a(E) OR a3(E) BAR



a1(E), a2(E) OR a4(E) BAR

HAMPTON, LENZINI & RENWICK, INC.
CIVIL & STRUCTURAL ENGINEERS
LAND SURVEYORS

3085 STEVENSON DRIVE, SUITE 201
SPRINGFIELD, ILLINOIS 62703
(217) 546-3400

ELGIN • SPRINGFIELD

PROJECT NUMBER: 12-98-0016-1 DATE: 01/18/06
DESIGNED: M.D.C. CHECKED: S.M.S. DRAWN: D.T.M.

SUPERSTRUCTURE

IL. ROUTE 1 OVER HARRIS CREEK
F.A.P. ROUTE 782 / SECTION I15BR-1
HARDIN COUNTY
STATION 927+65
STRUCTURE NO. 035-0001