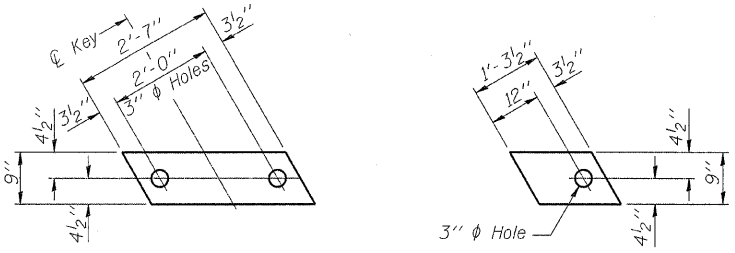


STATE OF ILLINOIS
DEPARTMENT OF TRANSPORTATION

ROUTE NO.	SECTION	COUNTY	TOTAL SHEETS	SHEET NO.	SHEET NO. 7 16 SHEETS
F.A.P. 782	115BR-1	Hardin	83	26	
FED. ROAD DIST. NO. 7		ILL. MO. 5	FED. AID PROJECT		

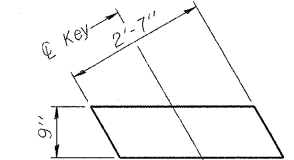
Contract #78026



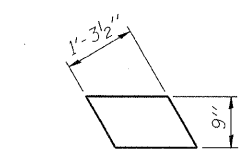
FABRIC BEARING PAD
(Interior)

FABRIC BEARING PAD
(Exterior)

FIXED

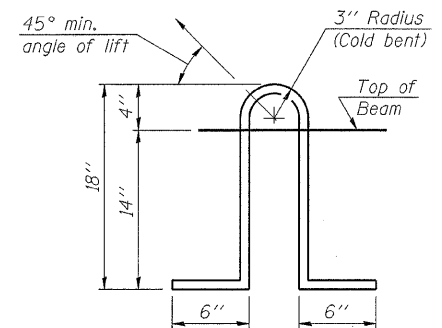


FABRIC BEARING PAD
(Interior)

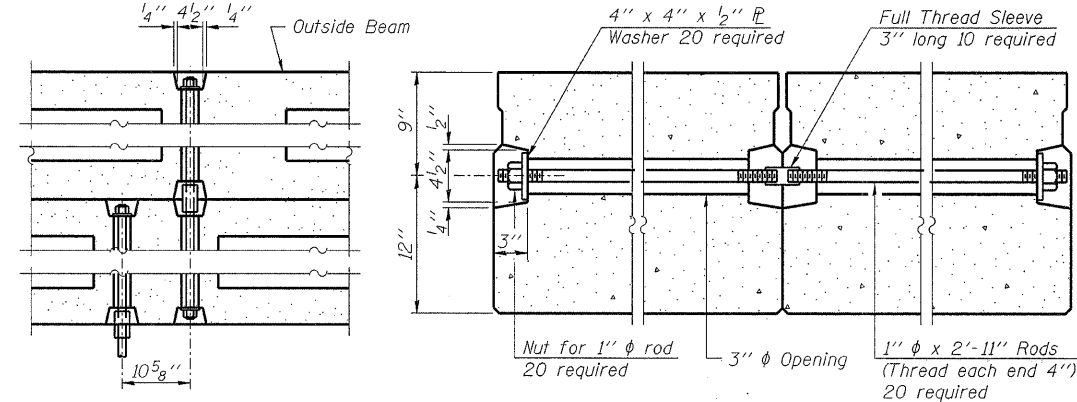


FABRIC BEARING PAD
(Exterior)

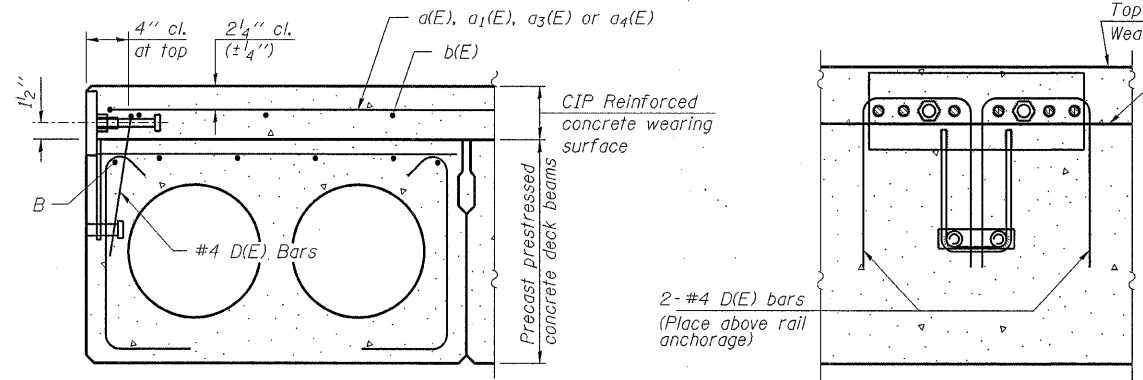
EXPANSION



LIFTING LOOP DETAIL



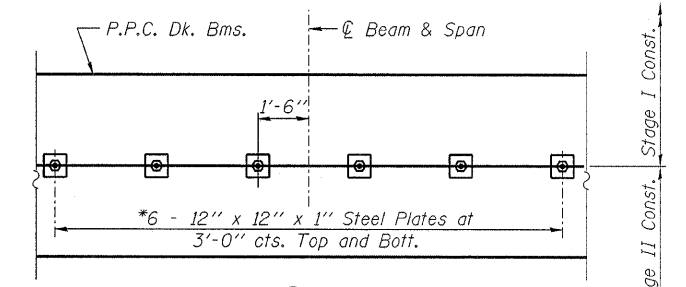
TYPICAL TRANSVERSE TIE ASSEMBLY



FASCIA BEAM CROSS SECTION

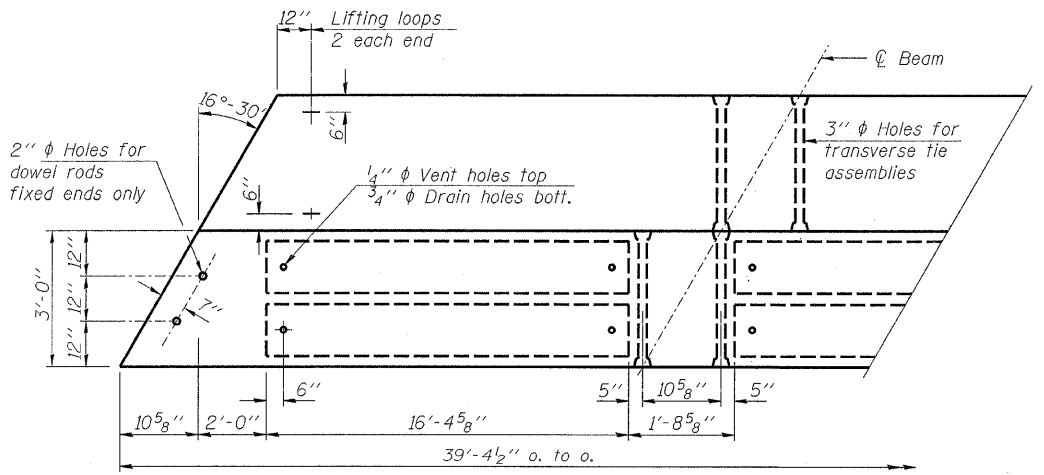
See Typical Section on Sheet 6 of 16 for strand pattern, dimensions and bar call outs.

SECTION A-A

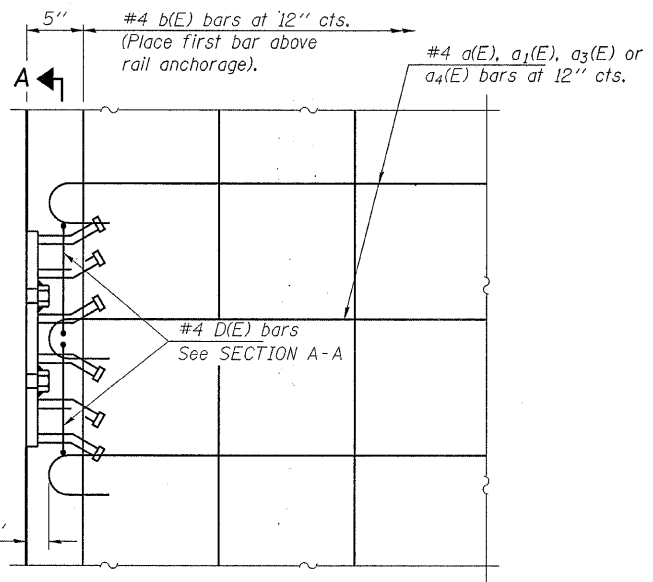


PLAN

* Space plates to miss Temporary Bridge Rail Posts.



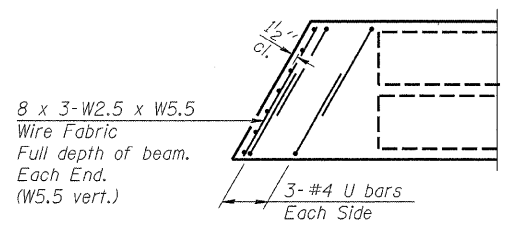
PLAN



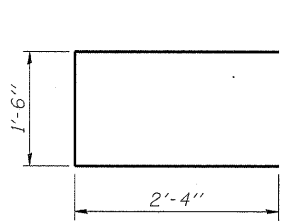
PLAN

Notes:
The rail anchorage and D(E) bar shall be cast with the beam and the wearing surface shall be cast in the field. Formwork necessary for the wearing surface may be secured utilizing the bottom rail anchorage inserts and/or additional inserts cast into the beam. Drilling into the beam will not be permitted.

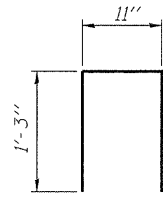
CONCRETE OVERLAY MODIFICATIONS FOR RAIL ANCHORAGE
(Bridge shown, Approach similar)



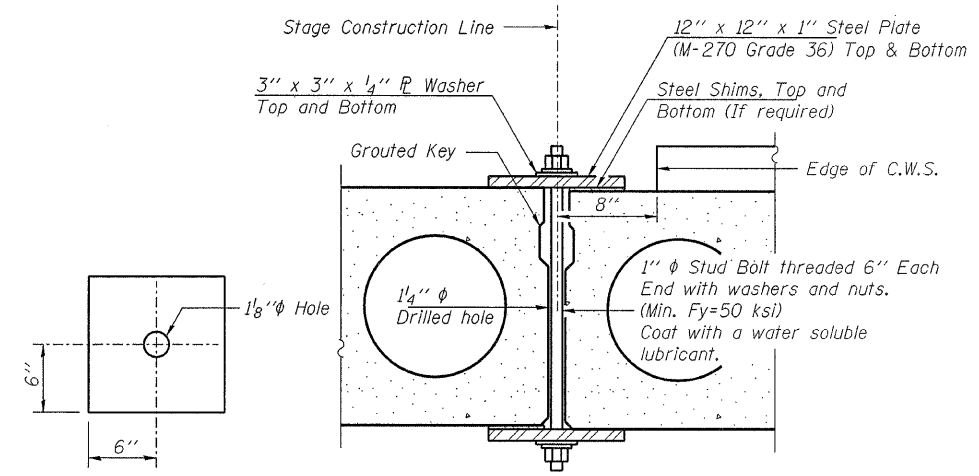
END PLAN



BAR U



D(E) BAR



CLAMPING PLATE

SECTION

SHEAR KEY CLAMPING DETAILS AT STAGE CONST. JT.
Note: Cost included with Precast Prestressed Concrete Deck Beams.

HAMPTON, LENZINI & RENWICK, INC.
CIVIL & STRUCTURAL ENGINEERS
LAND SURVEYORS
3085 STEVENSON DRIVE, SUITE 201
SPRINGFIELD, ILLINOIS 62703
(217) 546-3400

ELGIN • SPRINGFIELD

PROJECT NUMBER: 12-98-0016-1 DATE: 01/18/08
DESIGNED: M.D.C. CHECKED: S.M.S. DRAWN: D.T.M.

SUPERSTRUCTURE DETAILS
IL. ROUTE 1 OVER HARRIS CREEK
F.A.P. ROUTE 782 / SECTION 115BR-1
HARDIN COUNTY
STATION 927+65
STRUCTURE NO. 035-0001