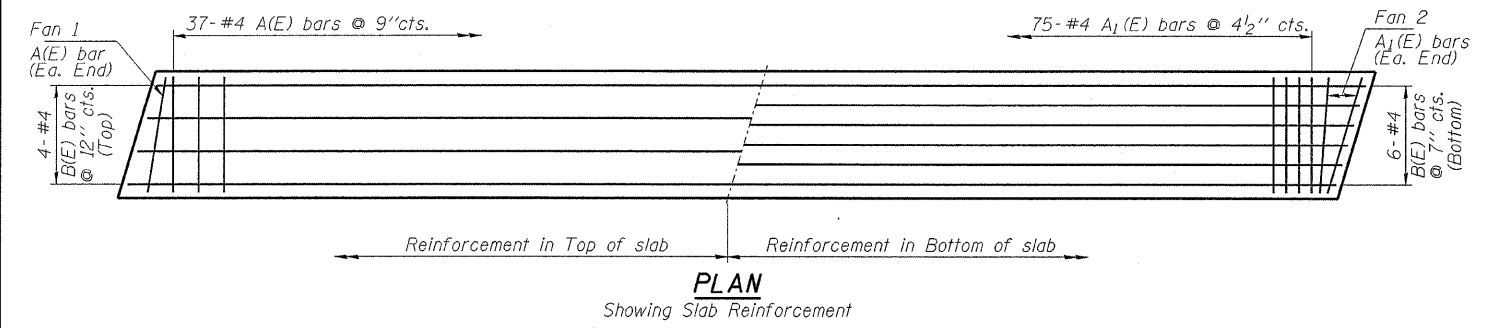
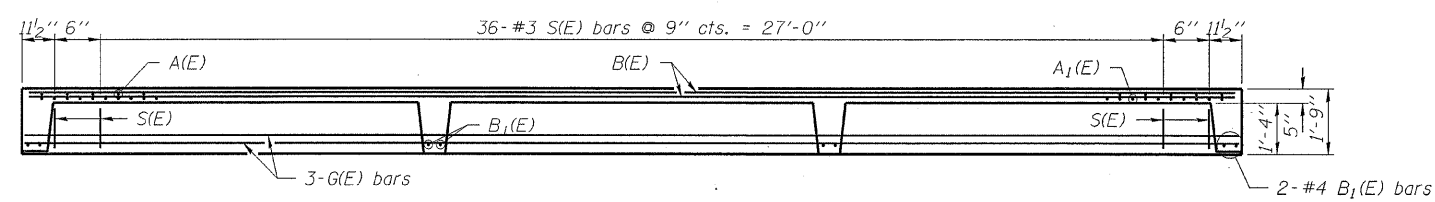
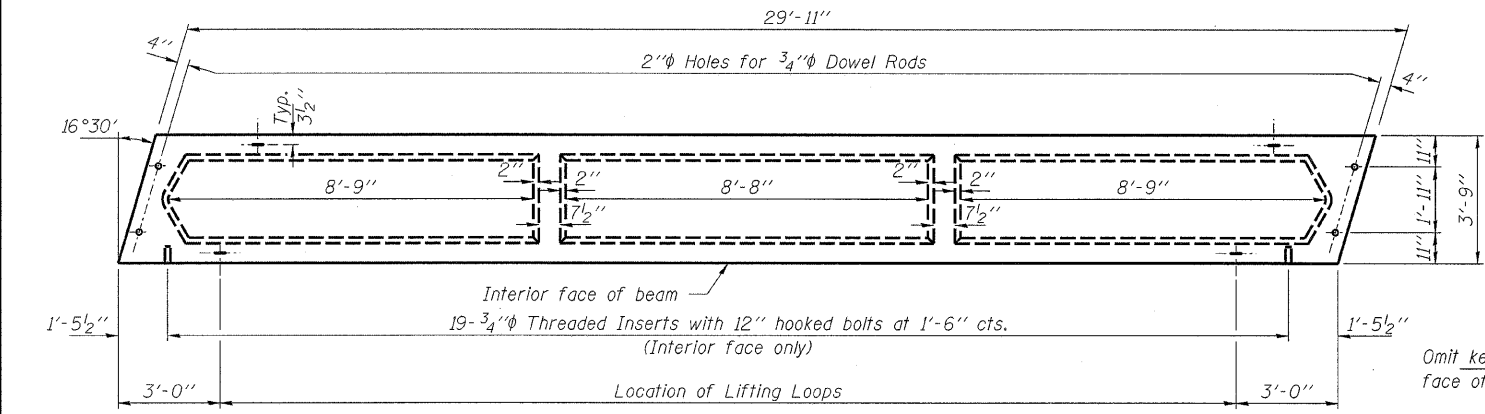
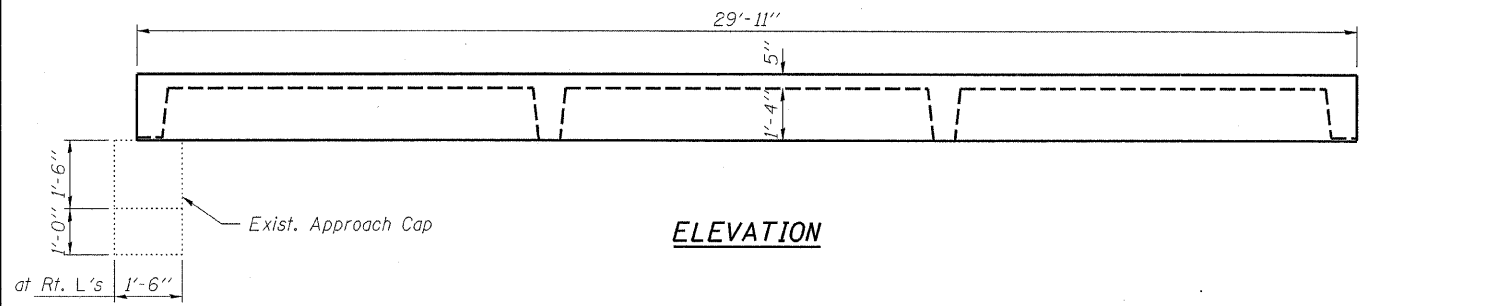


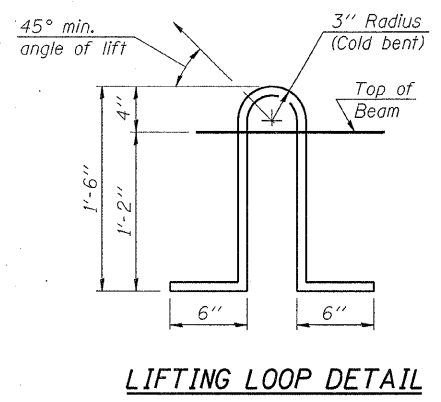
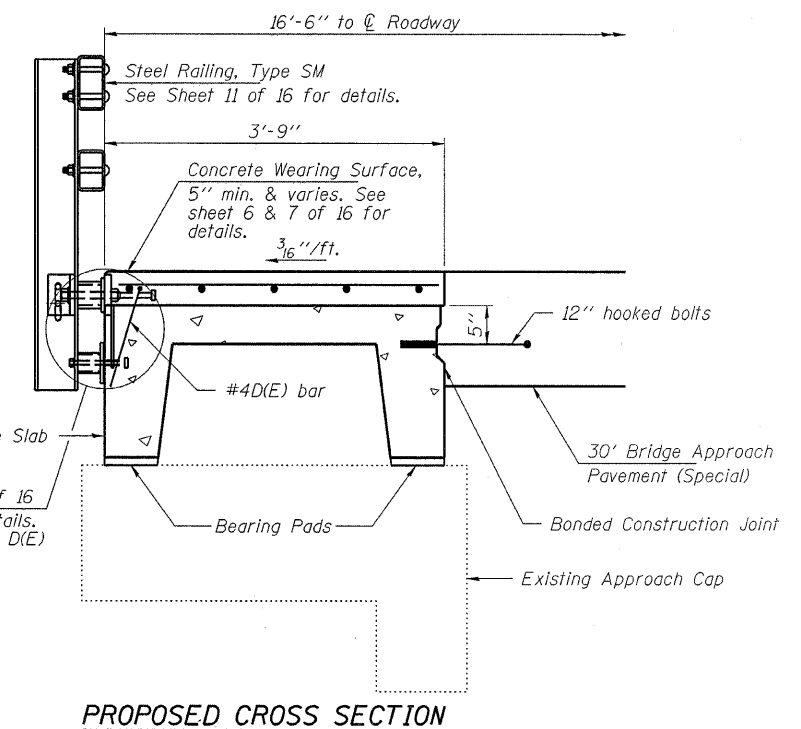
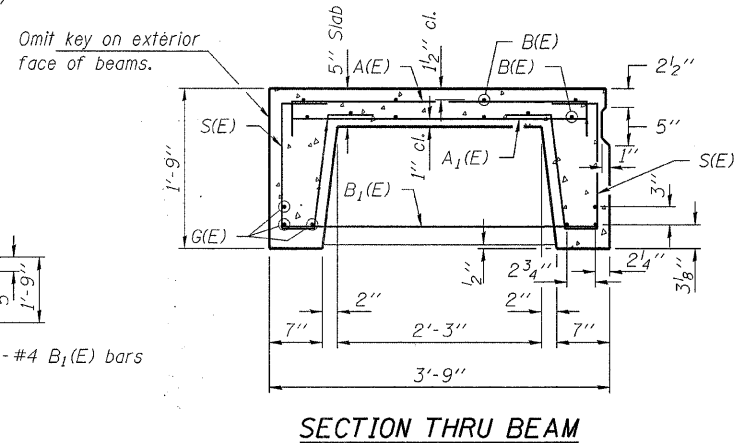
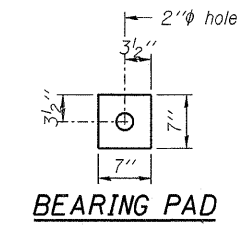
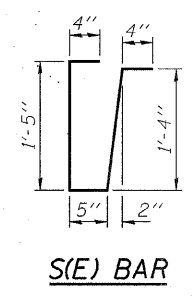
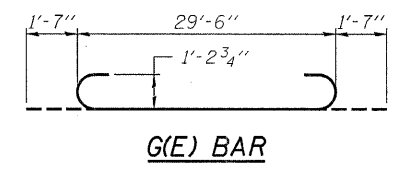
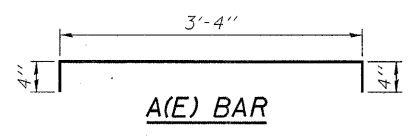
STATE OF ILLINOIS
DEPARTMENT OF TRANSPORTATION

ROUTE NO.	SECTION	COUNTY	TOTAL SHEETS	SHEET NO.	SHEET NO. 10 16 SHEETS
F.A.P. 782	115BR-1	Hardin	83	29	
FED. ROAD DIST. NO. 7	ILLINOIS	FED. AID PROJECT			
Contract #78026					



MATERIAL - FOR ONE BEAM

BAR	NO.	SIZE	LENGTH	SHAPE
A(E)	39	#4	4'-0"	[]
A1(E)	79	#4	3'-3"	[]
B(E)	10	#4	29'-6"	[]
B1(E)	8	#4	3'-6"	[]
G(E)	6	#11	32'-8"	[]
S(E)	78	#3	3'-10"	[]



BILL OF MATERIAL

ITEM	UNIT	QUANTITY
Precast Concrete Bridge Slab	Sq. Ft.	225

APPROACH DETAILS

IL. ROUTE 1 OVER HARRIS CREEK
F.A.P. ROUTE 782 / SECTION 115BR-1
HARDIN COUNTY
STATION 927+65
STRUCTURE NO. 035-0001

HAMPTON, LENZINI & RENWICK, INC.
CIVIL & STRUCTURAL ENGINEERS
LAND SURVEYORS

3085 STEVENSON DRIVE, SUITE 201
SPRINGFIELD, ILLINOIS 62703
(217) 546-3400

ELGIN • SPRINGFIELD

PROJECT NUMBER: 12-98-0016-1 DATE: 01/18/08
DESIGNED: M.D.C. CHECKED: S.M.S. DRAWN: D.T.M.