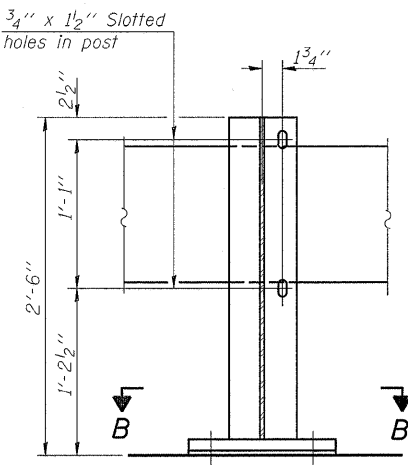


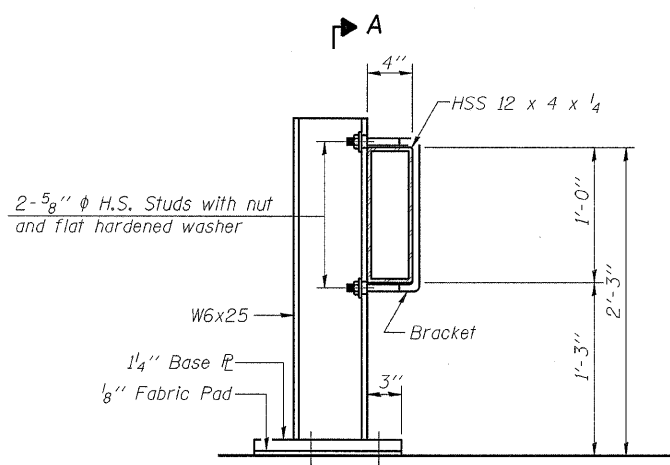
STATE OF ILLINOIS
DEPARTMENT OF TRANSPORTATION

ROUTE NO.	SECTION	COUNTY	LISTING SHEETS	SHEET NO.	SHEET NO. 4 15 SHEETS
F.A.P. 782	115BR-2	Hardin	83	50	
FED. ROAD DIST. NO. 7	ILLINOIS	FED. AID PROJECT			

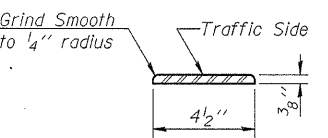
Contract #78026



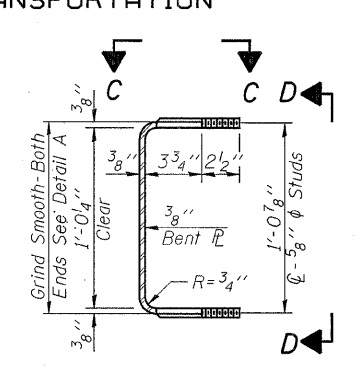
SECTION A-A



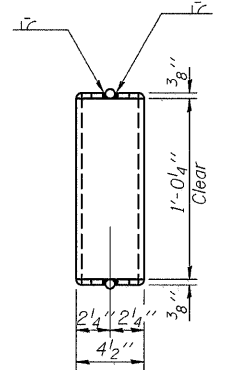
SECTION AT RAIL POST



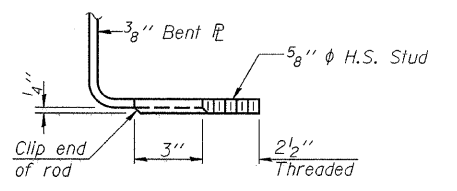
DETAIL A



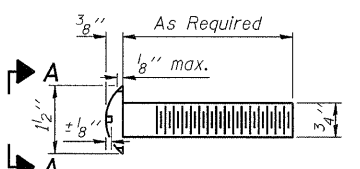
SECTION THRU BRACKET



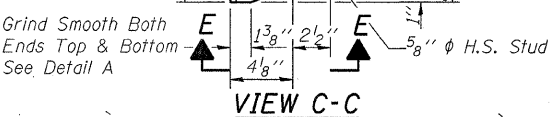
VIEW D-D



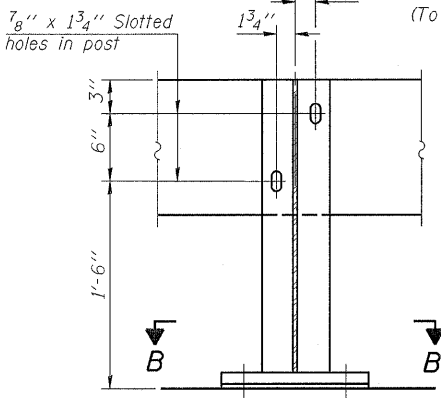
VIEW E-E



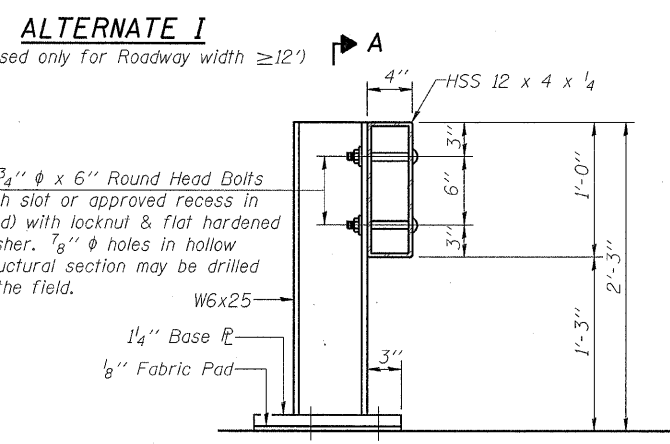
VIEW A-A
ROUND HEAD BOLT



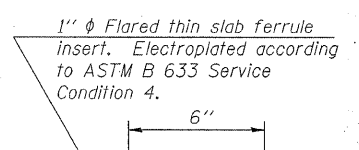
VIEW C-C



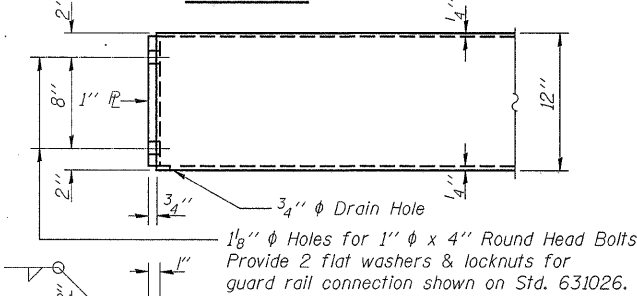
SECTION A-A



SECTION AT RAIL POST

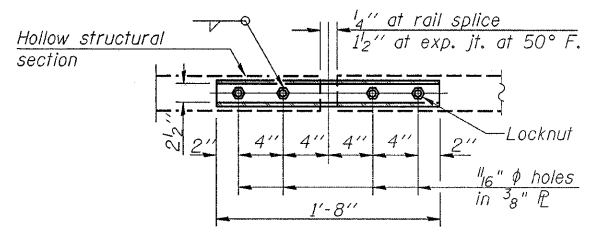


INSERT DETAIL

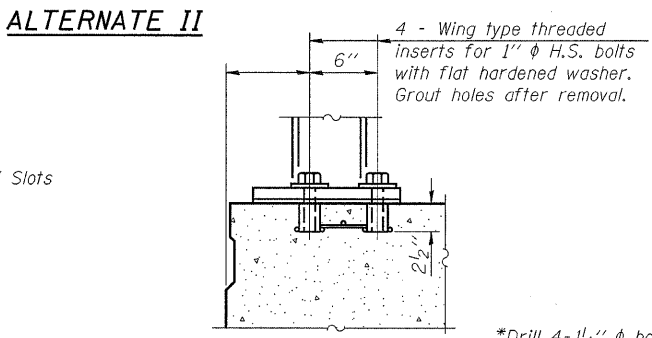


END OF RAIL DETAILS

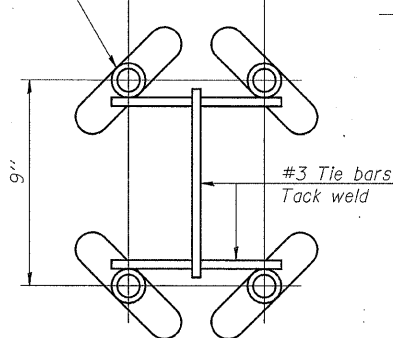
Notes:
See sheet 3 of 15 for Rail Post spacing.
The contact surfaces between post flange, rail and inside face of bracket for Alternate I shall be free of all lubricants.
The nut for 5/8 inch high strength studs used in Alternate I to connect bracket to post shall be tightened to a snug fit and given an additional one half turn.



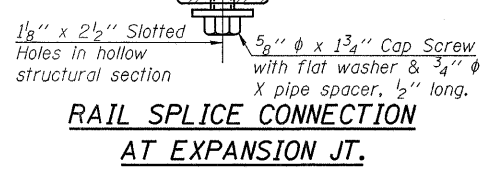
PLAN-BOTT. SPLICE R
TYPICAL



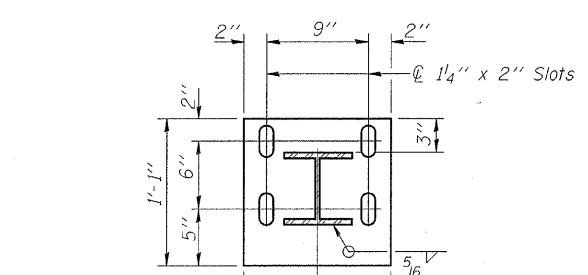
P.P.C. DECK BEAMS



ANCHORAGE DETAILS

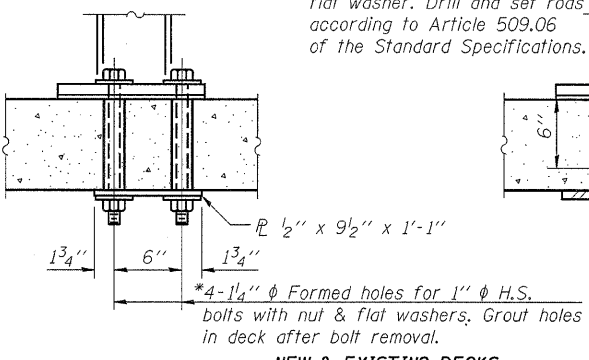


RAIL SPLICE CONNECTION
AT EXPANSION JT.

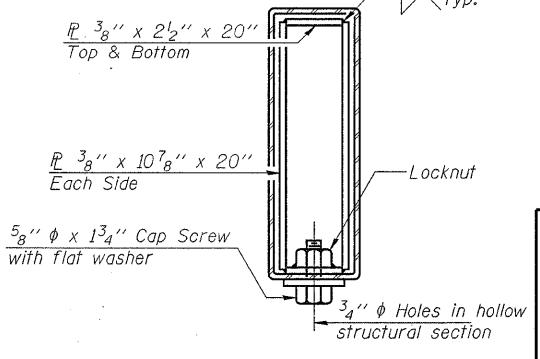


SECTION B-B

*Drilled holes for existing deck.



ANCHORAGE DETAILS



SECTION AT RAIL SPLICE

BILL OF MATERIAL

Item	Unit	Quantity
Steel Railing (Temporary)	Foot	48.2

HAMPTON, LENZINI & RENWICK, INC.
CIVIL & STRUCTURAL ENGINEERS
LAND SURVEYORS

3085 STEVENSON DRIVE, SUITE 201
SPRINGFIELD, ILLINOIS 62703
(217) 546-3400

ELGIN • SPRINGFIELD

PROJECT NUMBER: 12-98-0016-1 DATE: 01/18/08
DESIGNED: M.D.C. CHECKED: P.S.L. DRAWN: D.T.M.

STEEL RAILING (TEMPORARY)
IL. ROUTE 1 OVER BRANCH OF ROCK CREEK
F.A.P. ROUTE 782 / SECTION 115BR-2
HARDIN COUNTY
STATION 1015+72
STRUCTURE NO. 035-0003