

STATE OF ILLINOIS
DEPARTMENT OF TRANSPORTATION

| | | | | | |
|----------------------------|--------------------|------------------|--------------------|-----------------|--------------------------|
| ROUTE NO. F.A.P. 782 | SECTION 115BR-2 | COUNTY Hardin | TOTAL SHEETS 83 | SHEET NO. 54 | SHEET NO. 8 15 SHEETS |
| FED. ROAD DIST. NO. 7 | | ILLINOIS | FED. AID PROJECT | | |

Contract #78026

NOTES

After beams have been erected, holes shall be drilled into substructure and dowel rods placed. Dowel holes shall be filled with non-shrink grout to top of beam and allowed to cure min. 24 hours prior to grouting the shear keys.

Concrete wearing surface to be poured after grouting the shear keys.

Dowel rods drilled in cap are included in the cost of Precast Prestressed Concrete Deck Beams (21" Depth) or Precast Concrete Bridge Slabs.

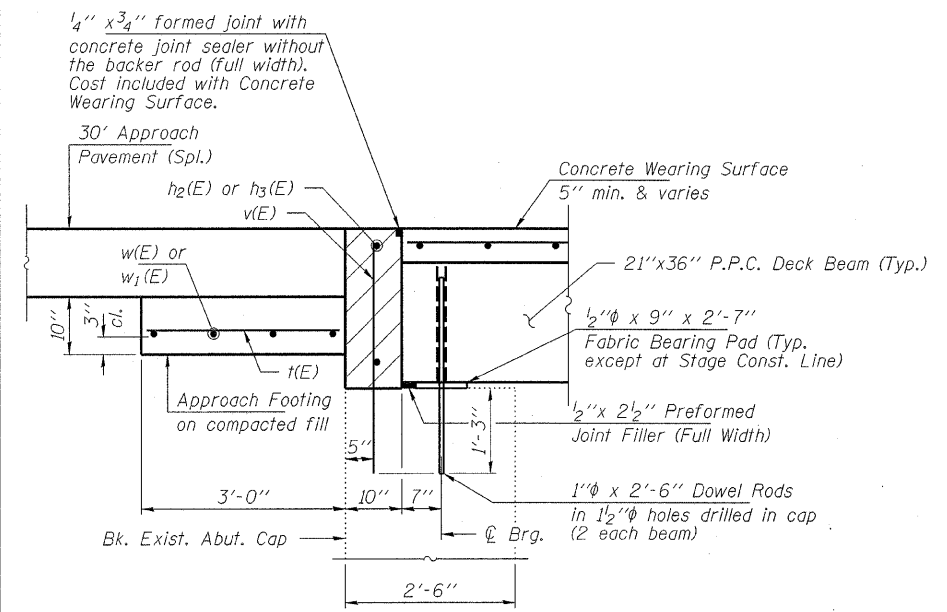
Anchor bolts shall be ASTM F1554 all-thread (or an Engineer approved alternate material) of the grade(s) and diameter(s), specified. ASTM A307 Grade C anchor bolts may be used in lieu of ASTM F1554 Grade 36 (Fy=36ksi). The corresponding specified grade of AASHTO M314 anchor bolts may be used in lieu of ASTM F1554.

Anchor bolts for side retainers will be installed in holes drilled after members are in place.

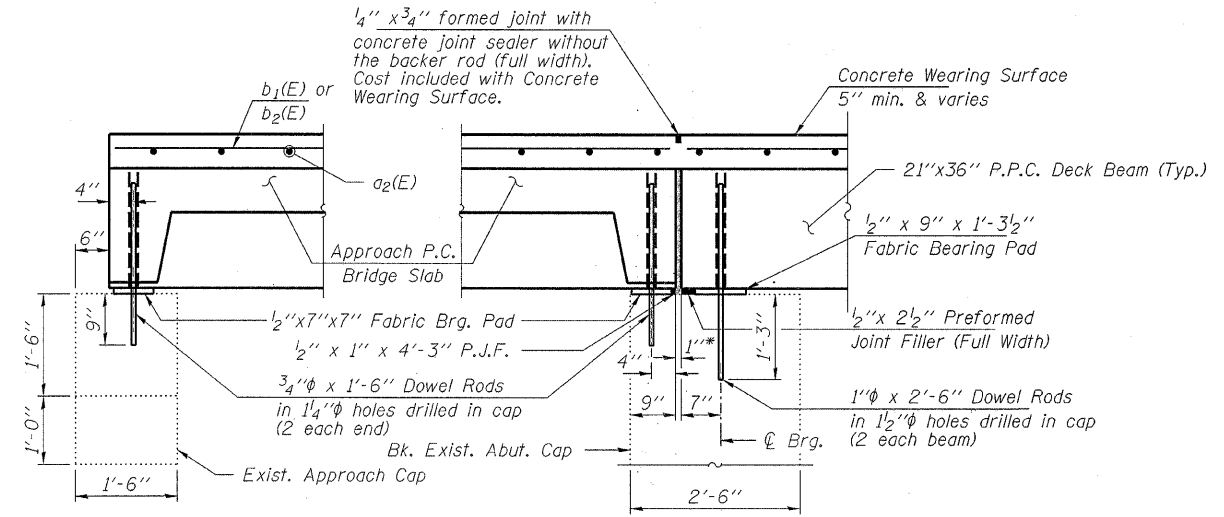
See Sheets 13 & 14 of 15 for Approach Footing and Abutment Hatch-Block reinforcement details.

Cost of Concrete in hatched areas included with Concrete Wearing Surface, 5".

All horizontal substructure dimensions shown at Rt. angles to substructure element.



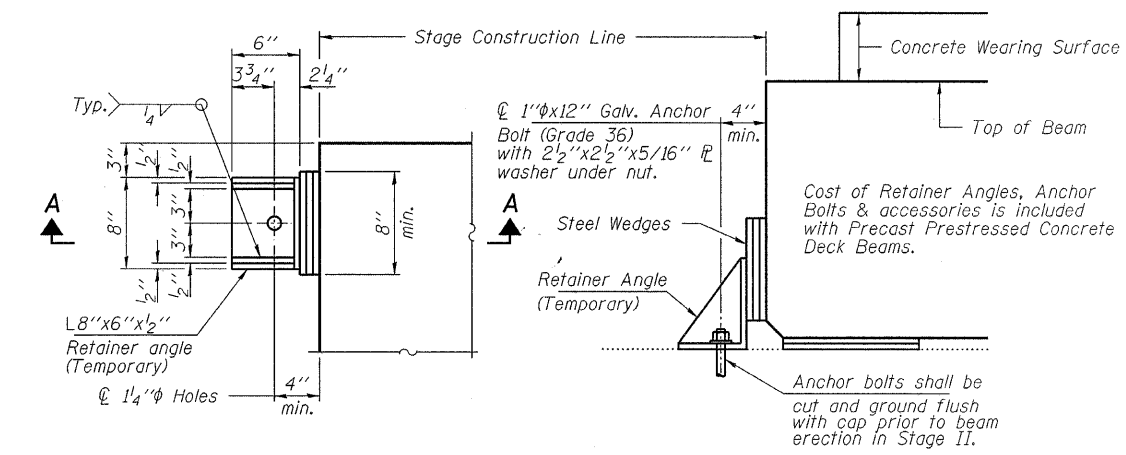
SECTION THRU EAST ABUTMENT @ RDWY.



SECTION THRU APPROACH CAP

SECTION THRU EAST ABUTMENT @ OUTSIDE BEAMS

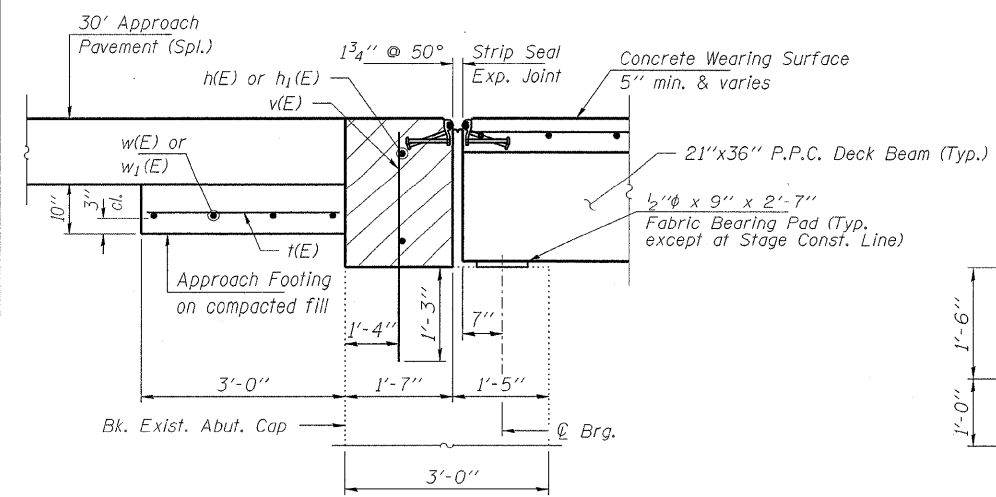
* 1" joint between beams shall be filled w/non-shrink grout. 1" dimension may vary to accommodate variation in beam lengths.



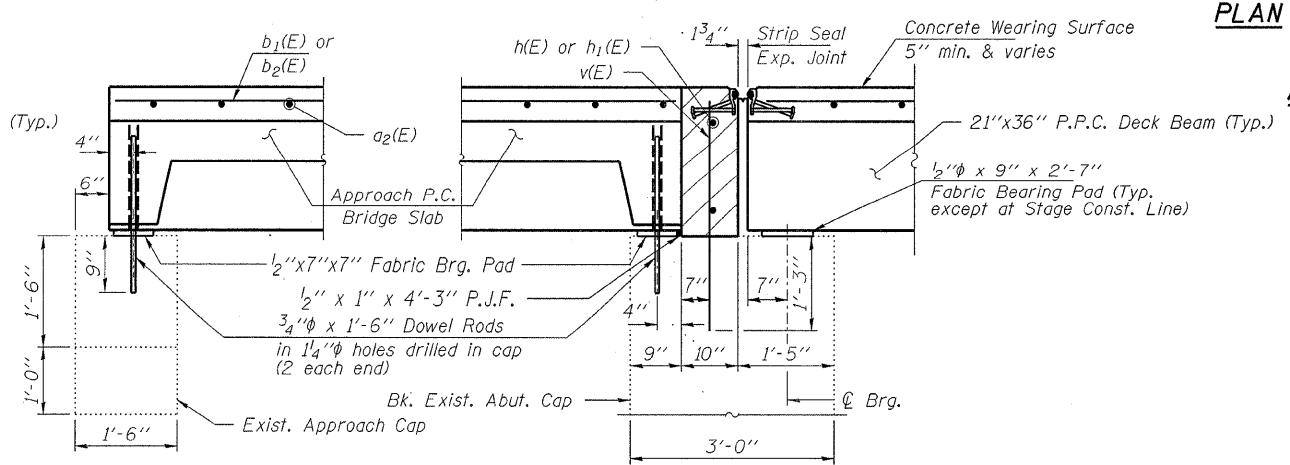
PLAN

BEAM RETAINER DETAILS AT STAGE CONSTRUCTION LINE (2 Required)

SECTION A-A



SECTION THRU WEST ABUTMENT @ RDWY.



SECTION THRU APPROACH CAP

SECTION THRU WEST ABUTMENT @ OUTSIDE BEAMS

HAMPTON, LENZINI & RENWICK, INC.
CIVIL & STRUCTURAL ENGINEERS
LAND SURVEYORS

3085 STEVENSON DRIVE, SUITE 201
SPRINGFIELD, ILLINOIS 62703
(217) 546-3400

ELGIN • SPRINGFIELD

PROJECT NUMBER: 12-98-0016-1 DATE: 01/18/08
DESIGNED: M.D.C. CHECKED: P.S.L. DRAWN: D.T.M.

SUPERSTRUCTURE DETAILS

IL. ROUTE 1 OVER BRANCH OF ROCK CREEK
F.A.P. ROUTE 782 / SECTION 115BR-2
HARDIN COUNTY
STATION 1015+72
STRUCTURE NO. 035-0003