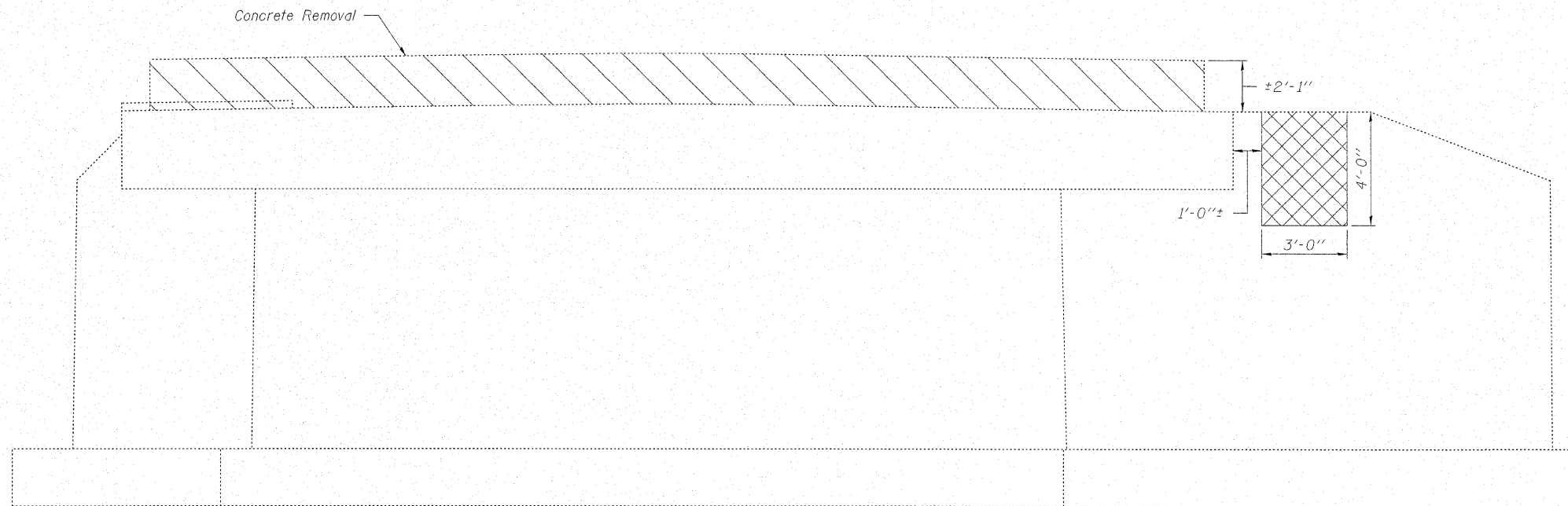


STATE OF ILLINOIS
DEPARTMENT OF TRANSPORTATION

ROUTE NO. F.A.P. 782	SECTION 115BR-2	COUNTY Hardin	TOTAL SHEETS 83	SHEET NO. 59	SHEET NO. 13 15 SHEETS
FED. ROAD DIST. NO. 7		ILLINOIS	FED. AID PROJECT		

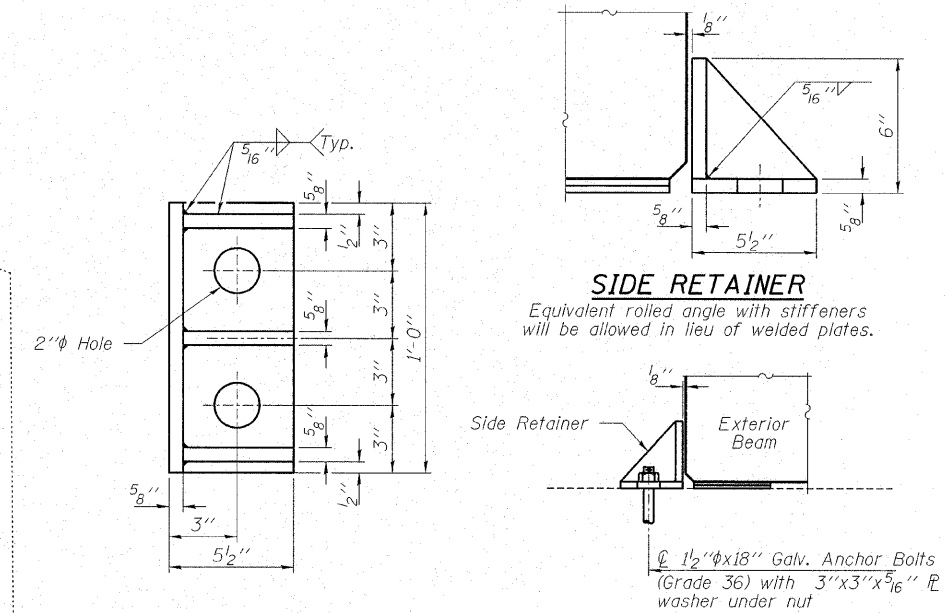
Contract #78026



ELEVATION
(Looking West)

REPAIR LEGEND

- Requires Structural Repair of Concrete (Depth Equal to or less than 5")
- Requires Epoxy Crack Injection
- Hatched Area indicates Exist. Concrete to be removed. Paid for as Concrete Removal.



EXTERIOR BEAM RETAINER DETAILS
(2 Required)

Cost of Side Retainer, Anchor Bolts & accessories are included with Precast Prestressed Concrete Deck Beams.

The side retainer shall be galvanized after shop fabrication according to AASHTO M111.

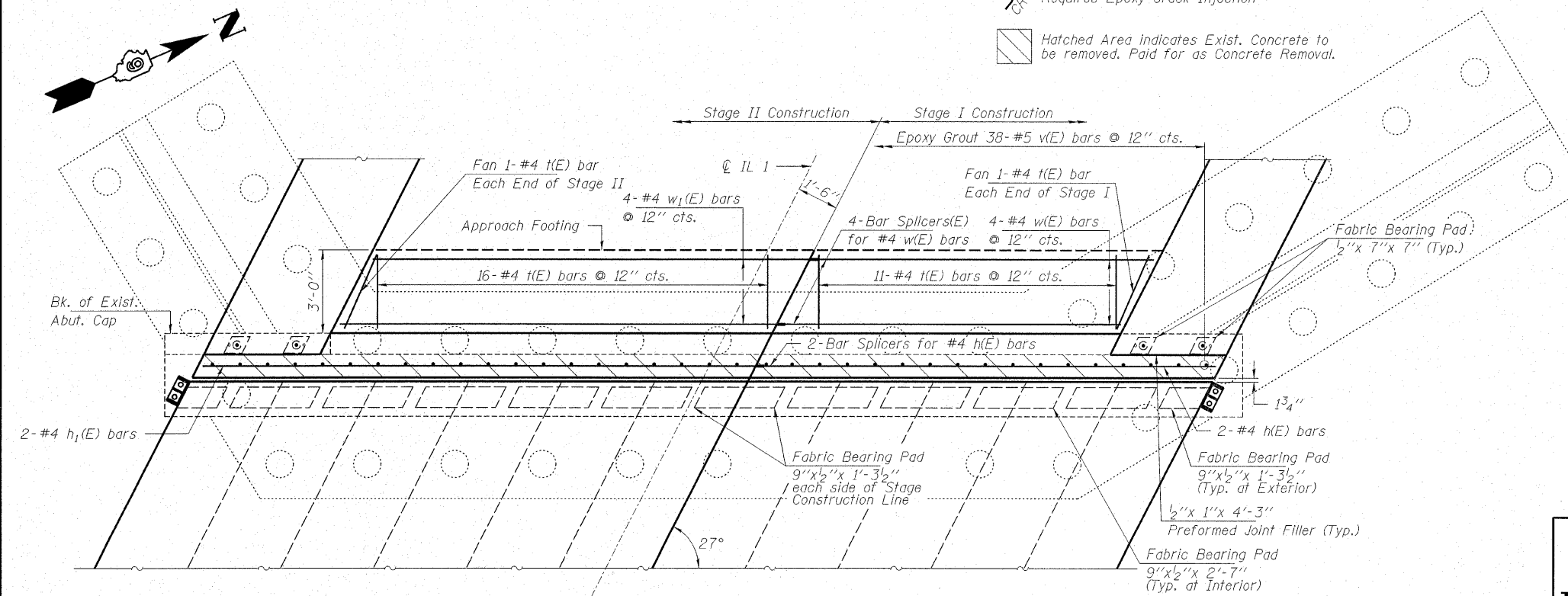
Anchor bolts shall be ASTM F1554 all-thread (or an Engineer-approved alternate material) of the grade(s) and diameter(s) specified. ASTM A307 Grade C anchor bolts may be used in lieu of ASTM F1554 Grade 36 (F_y=36 ksi).

Anchor bolts for side retainers may be cast in place or installed in holes drilled after members are in place.

Fill 1/8" gap with shim to provide temporary lateral support until shear keys have been grouted and concrete wearing surface as been placed.

BILL OF MATERIAL - WEST ABUT.

BAR	NO.	SIZE	LENGTH	SHAPE
h(E)	2	#4	16'-8"	—
h ₁ (E)	2	#4	20'-0"	—
t(E)	31	#4	2'-9"	—
v(E)	38	#5	3'-4"	—
w(E)	4	#4	12'-6"	—
w ₁ (E)	4	#4	15'-10"	—
Reinforcement Bars, Epoxy Coated			Pound	310
Structural Repair of Concrete (Depth equal to or less than 5")			Sq. Ft.	12
Concrete Structures			Cu. Yd.	2.7
Concrete Removal			Cu. Yd.	2.4



PLAN

HAMPTON, LENZINI & RENWICK, INC.
CIVIL & STRUCTURAL ENGINEERS
LAND SURVEYORS

3085 STEVENSON DRIVE, SUITE 201
SPRINGFIELD, ILLINOIS 62703
(217) 546-3400

ELGIN • SPRINGFIELD

PROJECT NUMBER: 12-98-0010-1 DATE: 01/18/08
DESIGNED: M.D.C. CHECKED: P.S.L. DRAWN: D.T.M.

WEST ABUTMENT
IL. ROUTE 1 OVER BRANCH OF ROCK CREEK
F.A.P. ROUTE 782 / SECTION 115BR-2
HARDIN COUNTY
STATION 1015+72
STRUCTURE NO. 035-0003