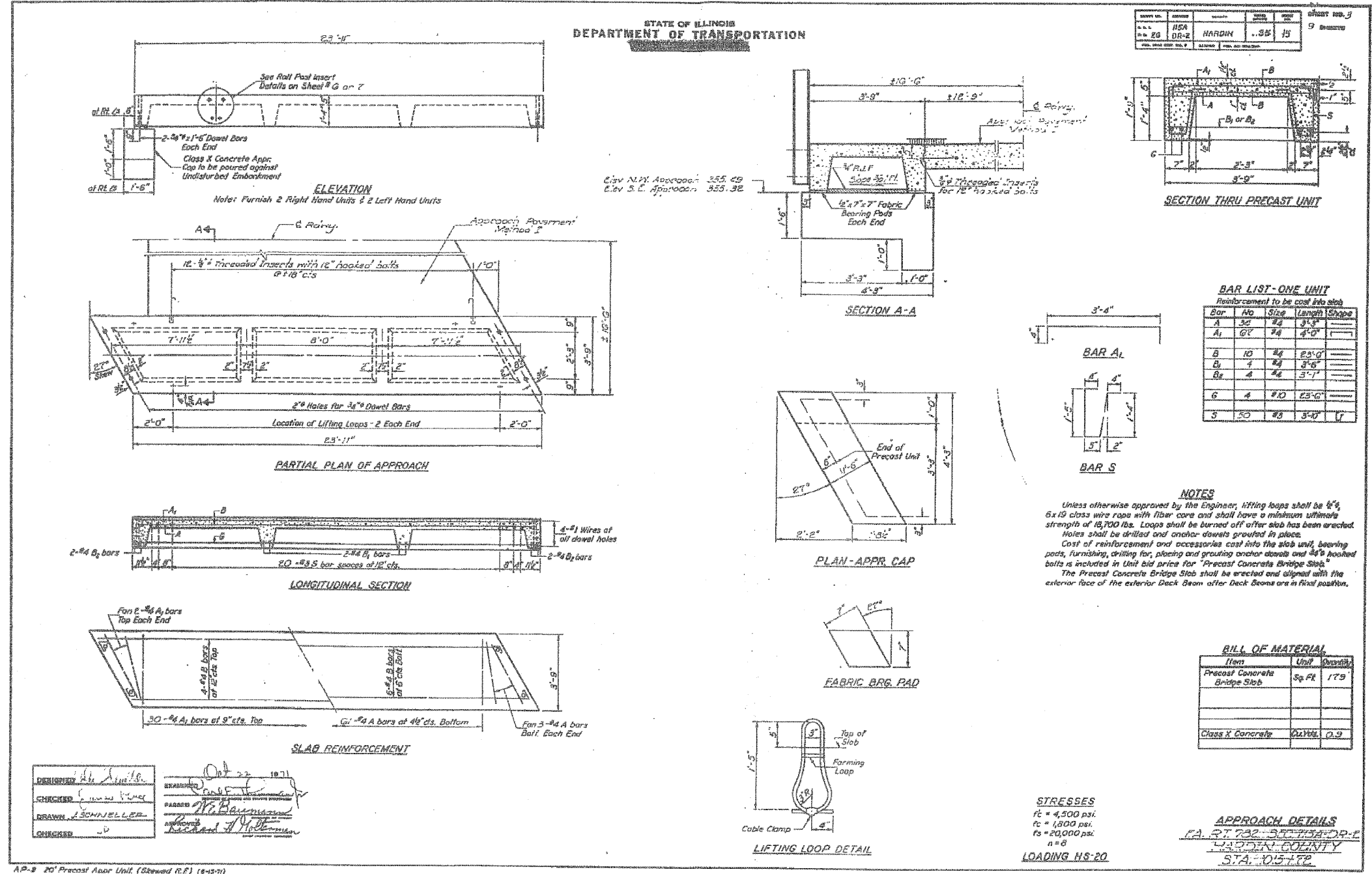


STATE OF ILLINOIS
DEPARTMENT OF TRANSPORTATION

ROUTE NO.	SECTION	COUNTY	STA. SHEETS	SHEET NO.
F.A.P. 782	115BR-2	Hardin	83 64	10 SHEETS
FED. ROAD DIST. NO. 7	ILLINOIS	FED. AID PROJECT		

Contract #78026



DESIGNER	DATE	SCALE	PROJECT NO.
HSA	11/15/72	HARDIN	115BR-2

BAR LIST - ONE UNIT
Reinforcement to be cast into slab

Bar	No.	Size	Length	Shape
A	30	#4	3'-9"	—
A ₁	6	#4	4'-0"	—
B	10	#4	2'-9"	—
B ₁	4	#4	3'-6"	—
B ₂	4	#4	3'-7"	—
C	4	#10	23'-0"	—
S	50	#8	3'-0"	U

NOTES
Unless otherwise approved by the Engineer, lifting loops shall be 6/8, 6x19 class wire rope with fiber core and shall have a minimum ultimate strength of 18,700 lbs. Loops shall be burned off after slab has been erected. Holes shall be drilled and anchor dowels grouted in place. Cost of reinforcement and accessories cast into the slab unit, bearing pads, furnishing, drilling for, placing and grouting anchor dowels and 3/4" hooked bolts is included in Unit bid price for "Precast Concrete Bridge Slab". The Precast Concrete Bridge Slab shall be erected and aligned with the exterior face of the exterior Deck Beam after Deck Beams are in final position.

BILL OF MATERIAL

Item	Unit	Quantity
Precast Concrete Bridge Slab	Sq. Ft.	179
Class X Concrete	Cu. Yds.	0.9

STRESSES
f_c = 4,500 psi.
f_s = 18,000 psi.
f_s = 20,000 psi.
n = 8

APPROACH DETAILS
F.A.P. 782 - SECTION 115BR-2
HARDIN COUNTY
STATION 1015+72

DESIGNED: *[Signature]*
CHECKED: *[Signature]*
DRAWN: J. SCHNEIDER
DATE: 11/15/72

A.P.-B 20' Precast Apror Unit. (Skewed R.F.) (18-12-71)

HAMPTON, LENZINI & RENWICK, INC.
CIVIL & STRUCTURAL ENGINEERS
LAND SURVEYORS

3085 STEVENSON DRIVE, SUITE 201
SPRINGFIELD, ILLINOIS 62703
(217) 546-3400

ELGIN • SPRINGFIELD

PROJECT NUMBER: 12-98-0016-1 DATE: 01/18/08
DESIGNED: M.D.C. CHECKED: P.S.L. DRAWN: D.T.M.

EXISTING STRUCTURE PLANS
IL. ROUTE 1 OVER BRANCH OF ROCK CREEK
F.A.P. ROUTE 782 / SECTION 115BR-2
HARDIN COUNTY
STATION 1015+72
STRUCTURE NO. 035-0003