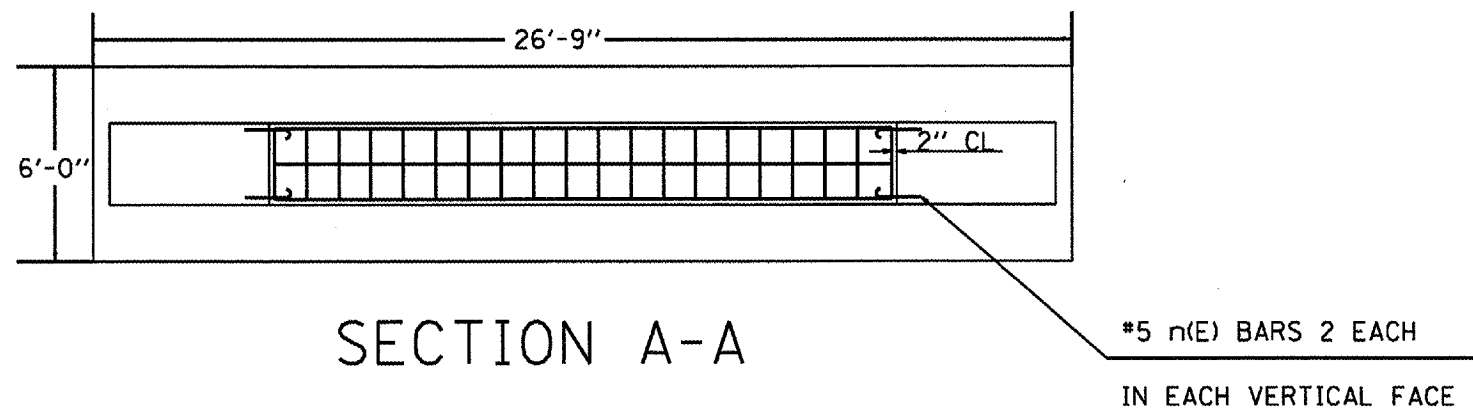
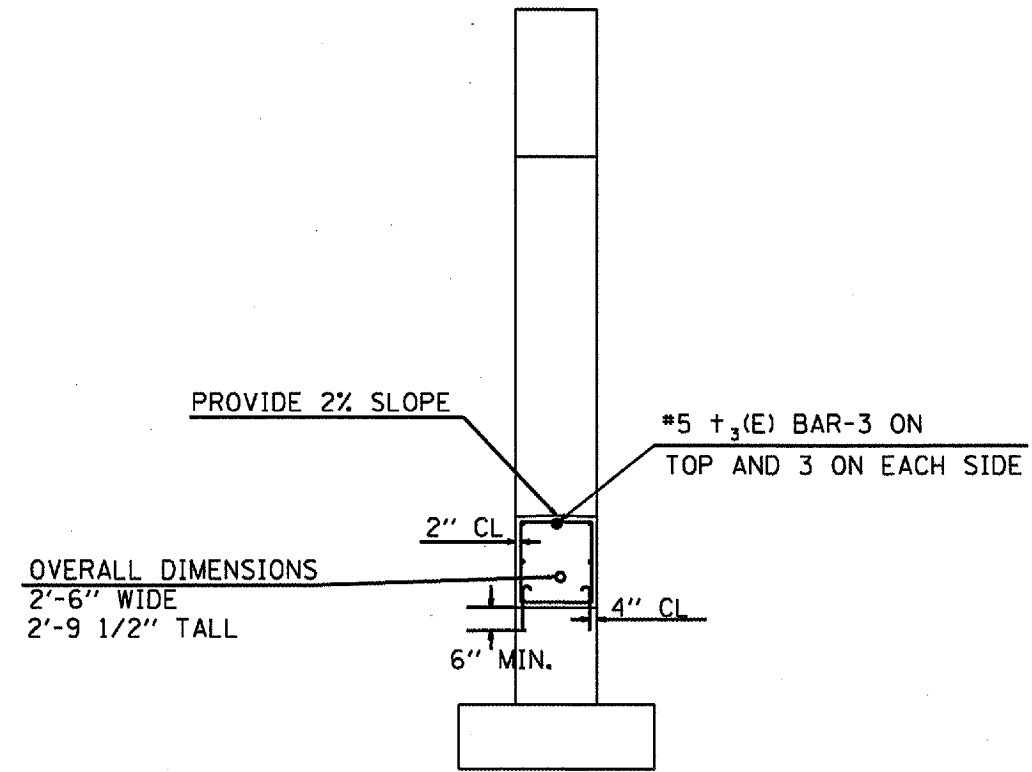
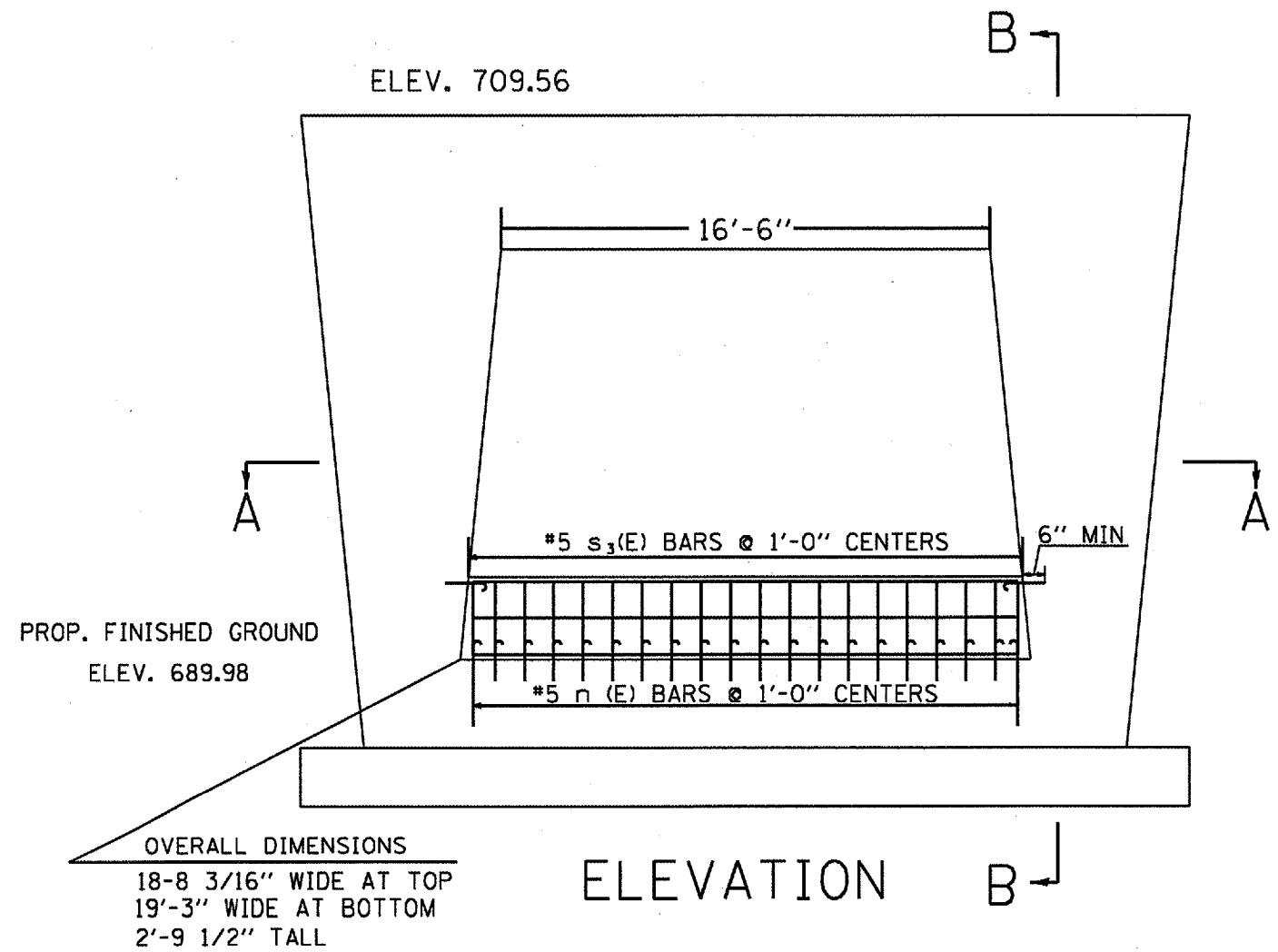


F.A. RTE.	SECTION	COUNTY	TOTAL SHEETS	SHEET NO.
			17	16
VAR.	VARIOUS			
STA.	TO STA.			
FED. ROAD DIST. NO.		ILLINOIS FED. AID PROJECT		
• D-9 SAFETY FY 08-2				

DETAIL OF PIER IMPROVEMENTS AT SN 044-0036



BILL OF MATERIALS

BAR	NO.	SIZE	LENGTH	SHAPE
t ₃	7	#5	18'-5"	—
n	44	#5	1'-5"	⊔
s ₃	20	#5	10'-6"	⊔
CONCRETE STRUCTURES				4.9 CU. YD.
REINFORCEMENT BARS, EPOXY COATED				419 LBS.

NOTE: ALL n(E) BARS SHALL BE EPOXY GROUTED INTO THE COLUMN AS PER ARTICLE 584 OF THE STANDARD SPECS. AT A MINIMUM DEPTH OF 6"

PLOT DATE: 1/10/2008
 FILE NAME: I:\Projects\044-0036\044-0036.dwg
 PLOT SCALE: 1/8"=1'-0"
 USER NAME: shawndg