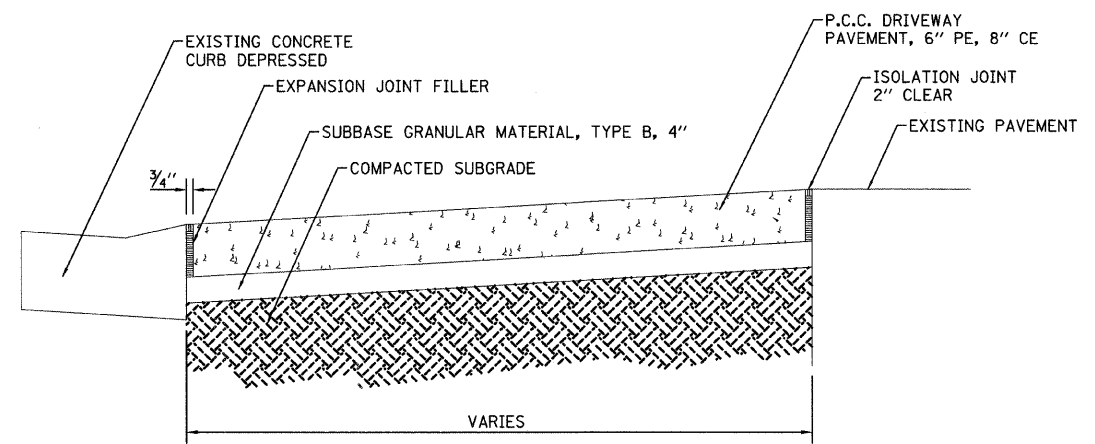
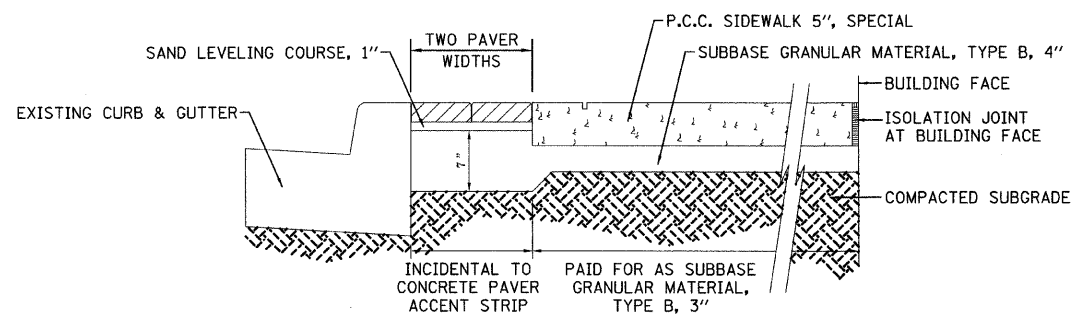


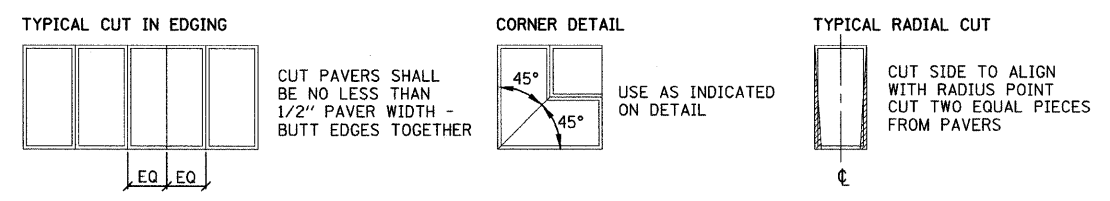
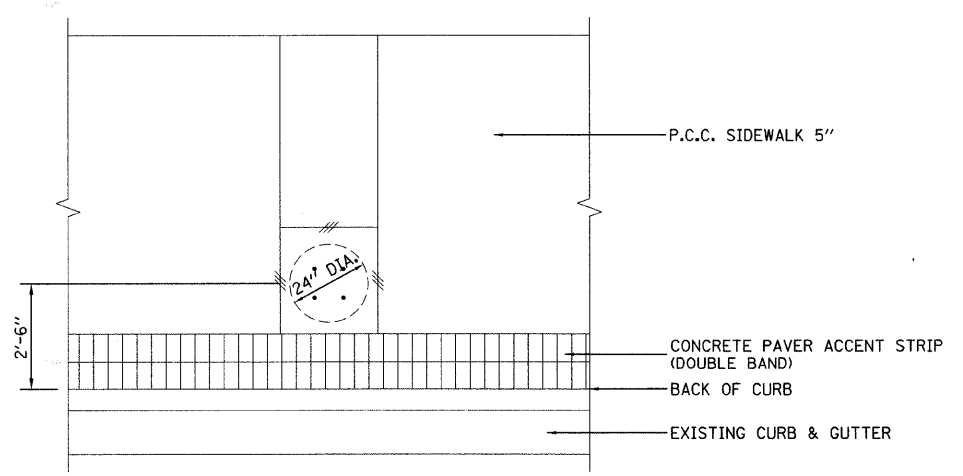
1 CONC. PAVEMENT / WALK JOINT LEGEND
 NO SCALE

4 DRIVE LAYOUT (TYP.)
 NO SCALE



2 P.C.C. FLUSH BAND W/ CONC. UNIT PAVERS - CENTRAL AVENUE AND LAKE AVENUE
 NO SCALE

5 P.C.C. DRIVEWAY - 6" PRIVATE ENTRANCE, 8" COMMERCIAL ENTRANCE
 NO SCALE



3 LIGHT FOUNDATION PAVING - CENTRAL AVENUE AND LAKE AVENUE
 NO SCALE

6 TYPICAL PAVER CUTS
 NO SCALE

REVISIONS		CONSULTANT	VILLAGE OF WILMETTE GREEN BAY ROAD INTERSECTION IMPROVEMENTS
NAME	DATE		
		TYLIN INTERNATIONAL	DRAWN: _____ SHEET NO. _____ CHECKED: _____ APPROVED: _____ DATE: 02-14-2008 SCALE: NONE JOB NO.: _____ PROJECT NO.: _____

DATE: _____ BY: _____
 CHECKED: _____
 PLAN NO. _____

DATE: _____ BY: _____
 CHECKED: _____
 PROFILE NO. _____