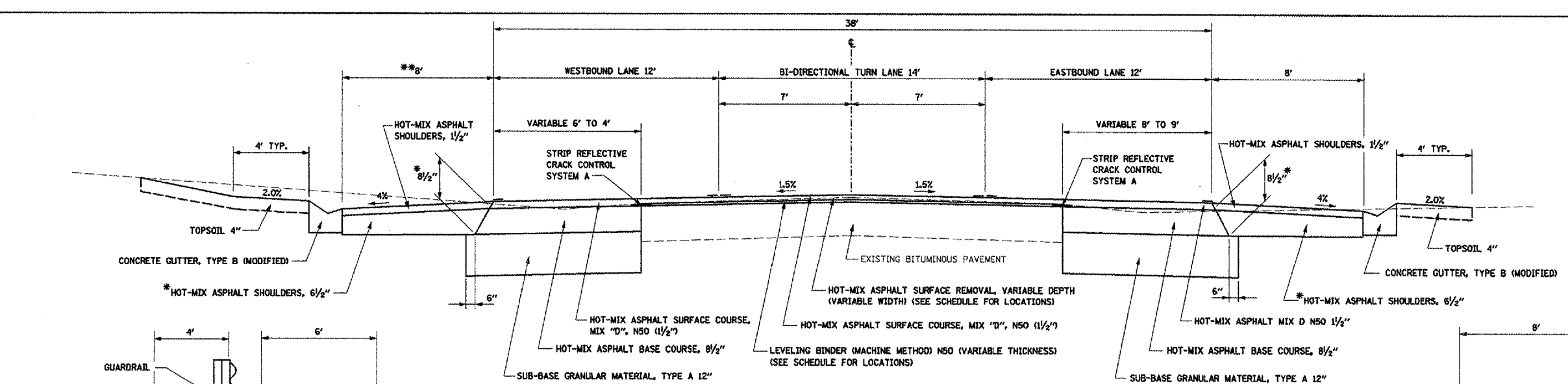
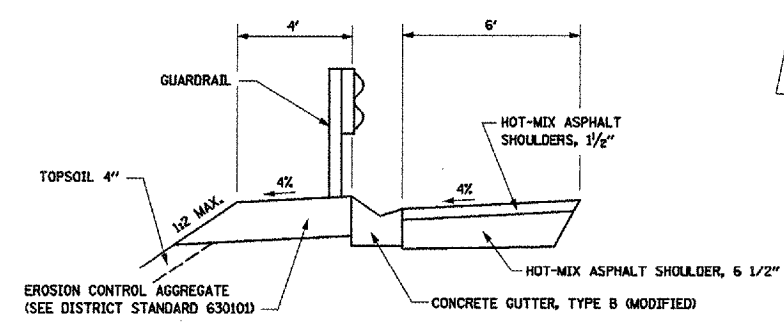


CONTRACT NO. 89347				
F.A.U. RTE.	SECTION	COUNTY	TOTAL SHEETS	SHEET NO.
6761	04-00057-06-WR	TAZEWELL	154	13
STA.	TO STA.			
FED. ROAD DIST. NO. 4 ILLINOIS FED. AID PROJECT				



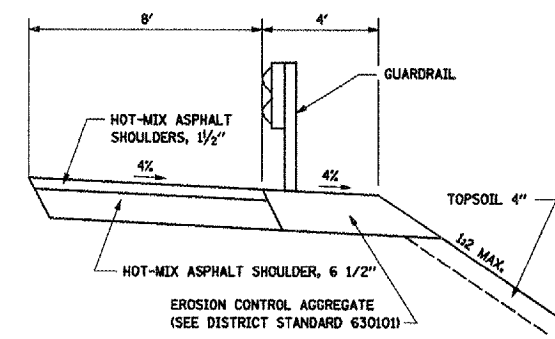
**PROPOSED TYPICAL SECTION**

LT. STA. 60+25 TO STA. 68+00  
 RT. STA. 61+05 TO STA. 66+25  
 SEE DETAIL THIS SHEET FOR LT. STA. 66+00 TO STA. 68+00



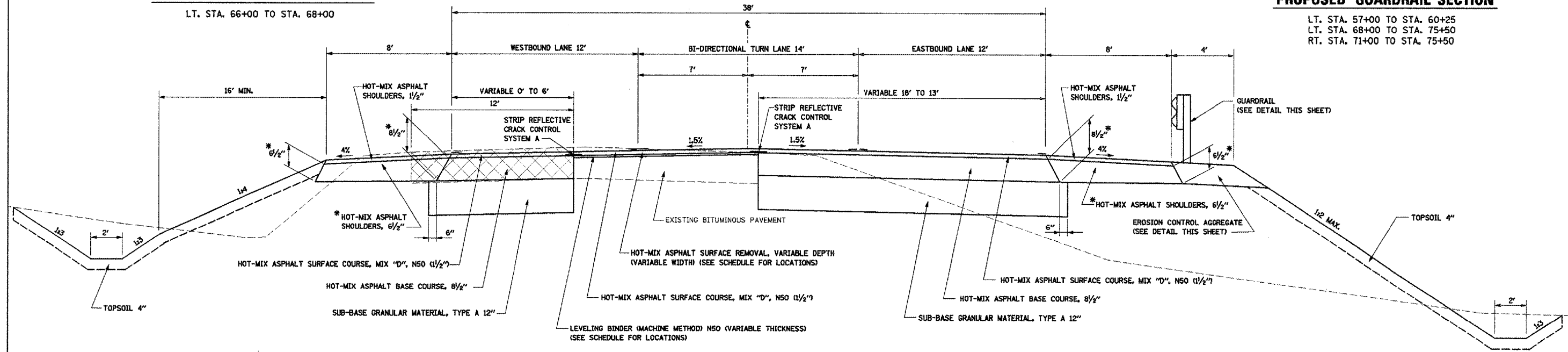
**\*\* PROPOSED GUARDRAIL SECTION**

LT. STA. 66+00 TO STA. 68+00



**PROPOSED GUARDRAIL SECTION**

LT. STA. 57+00 TO STA. 60+25  
 LT. STA. 68+00 TO STA. 75+50  
 RT. STA. 71+00 TO STA. 75+50



**PROPOSED TYPICAL SECTION**

STA. 74+50 TO STA. 75+50

PLOT DATE = 2/15/2008  
 FILE NAME = I:\2008\89347\Drawings\TYP SEC PR-B1.dgn  
 PLOT SCALE = 3/8" = 1' IN.  
 USER NAME = TDD

STRUCTURAL DESIGN TRAFFIC: YEAR 2018  
 PV = 9326 SU = 295 MU = 196  
 ROAD/STREET CLASSIFICATION: CLASS II  
 TRAFFIC FACTOR: ACTUAL TF = 0.89 AC TYPE = PG 64-22  
 PG GRADE: BINDER = PG 64-22 SURFACE = PG 64-22  
 SUBGRADE SUPPORT RATING:  
 SSR = FAIR (STA. 8+00 TO 43+00)  
 SSR = POOR (STA. 43+00 TO 75+00)

REVISIONS	
NAME	DATE

ILLINOIS DEPARTMENT OF TRANSPORTATION  
**BROADWAY ROAD IMPROVEMENTS**  
**PROPOSED TYPICAL SECTIONS**  
 SCALE: AS SHOWN  
 DATE 12/07/2007  
 DRAWN BY: DLC  
 CHECKED BY: REW