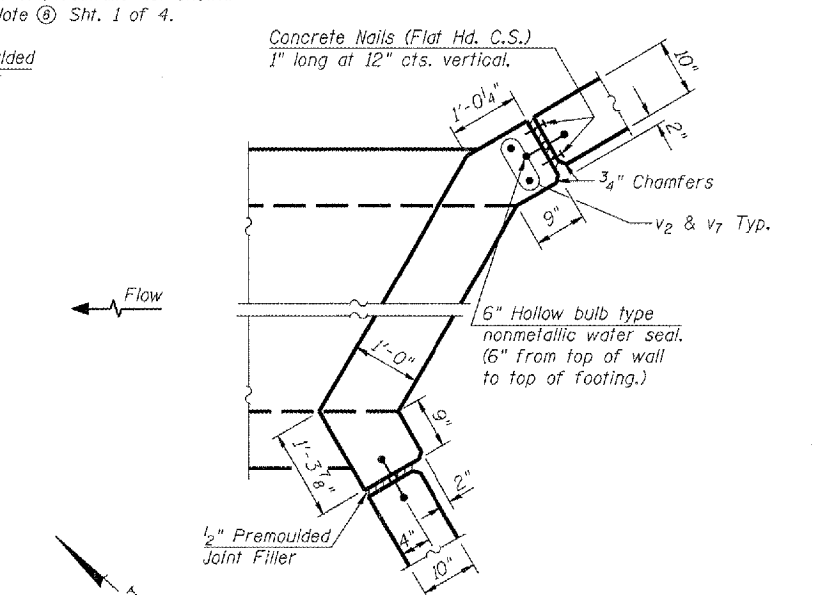
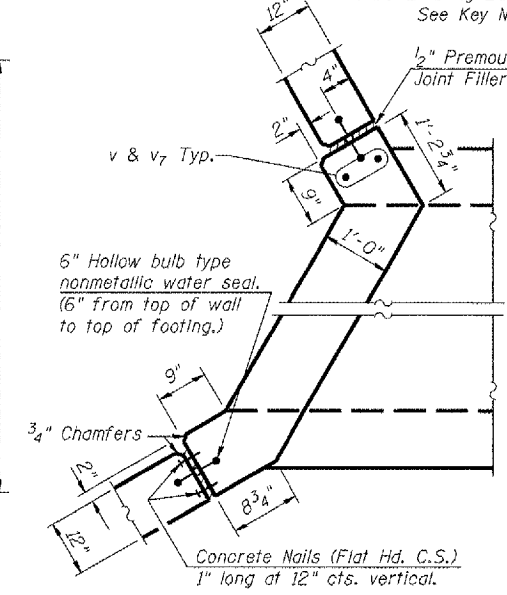
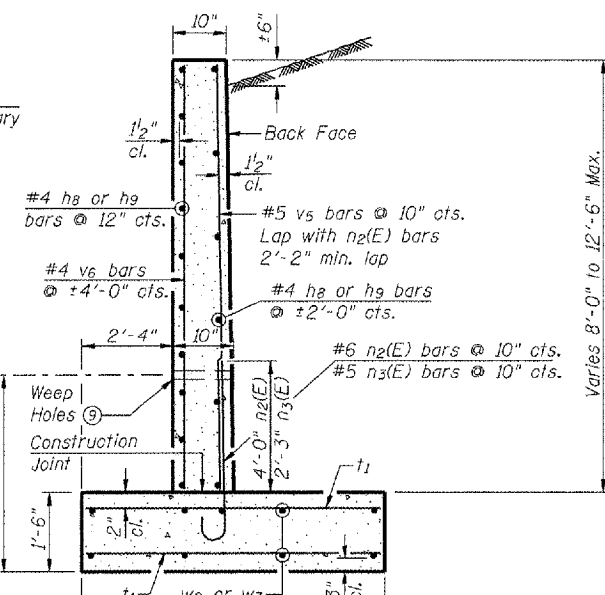
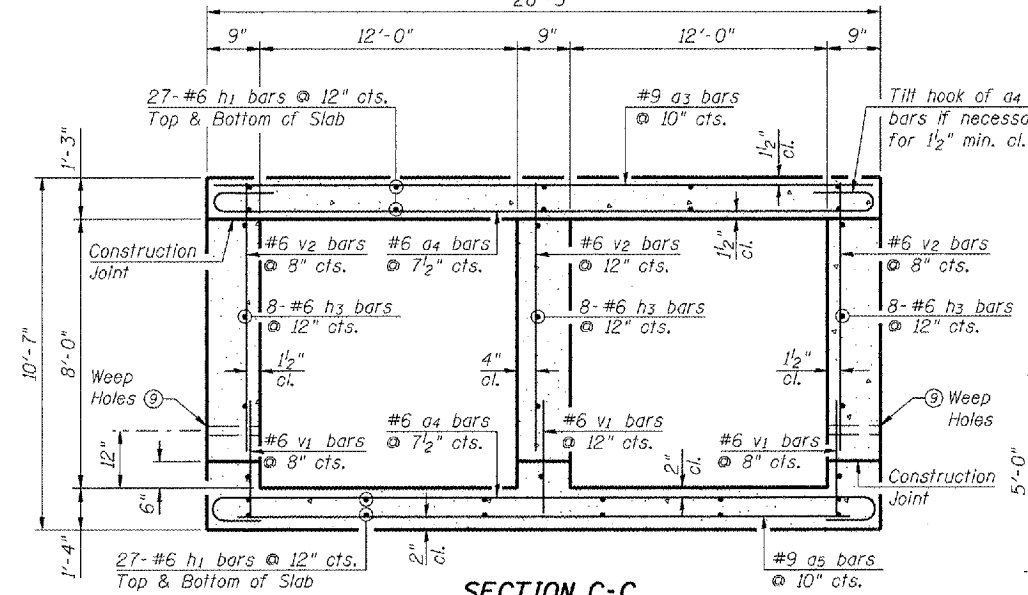
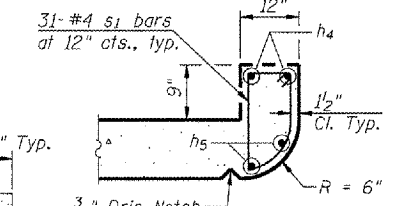
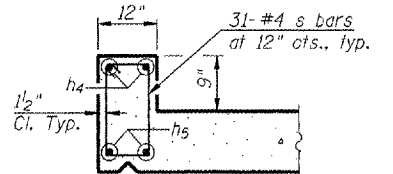
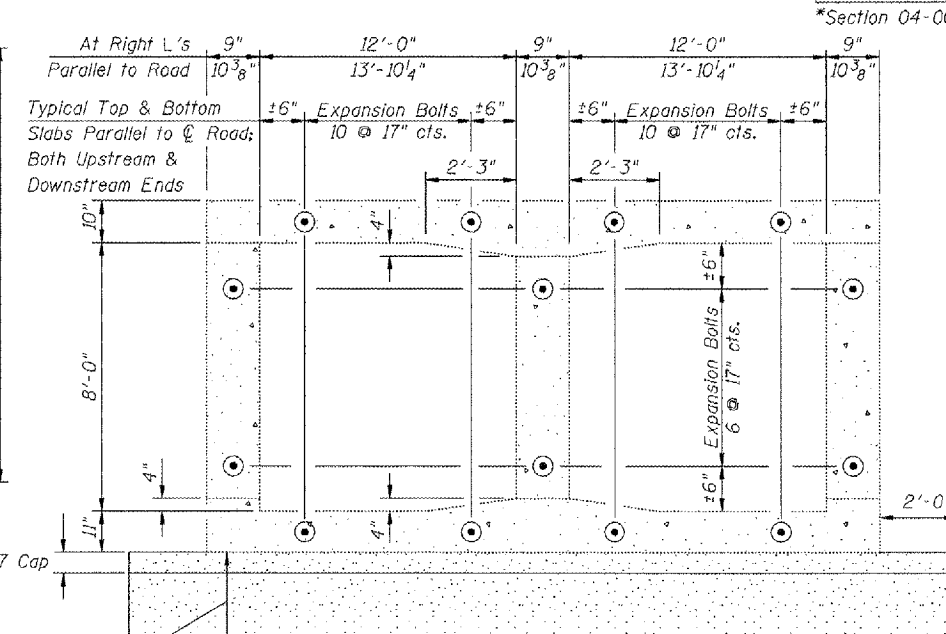
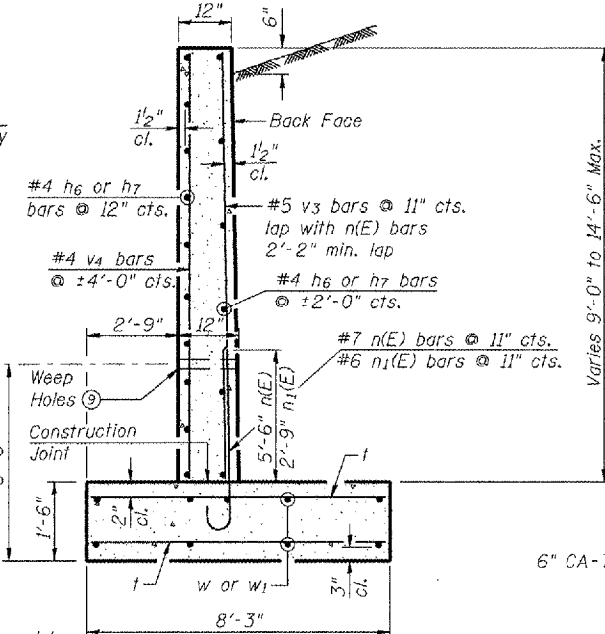
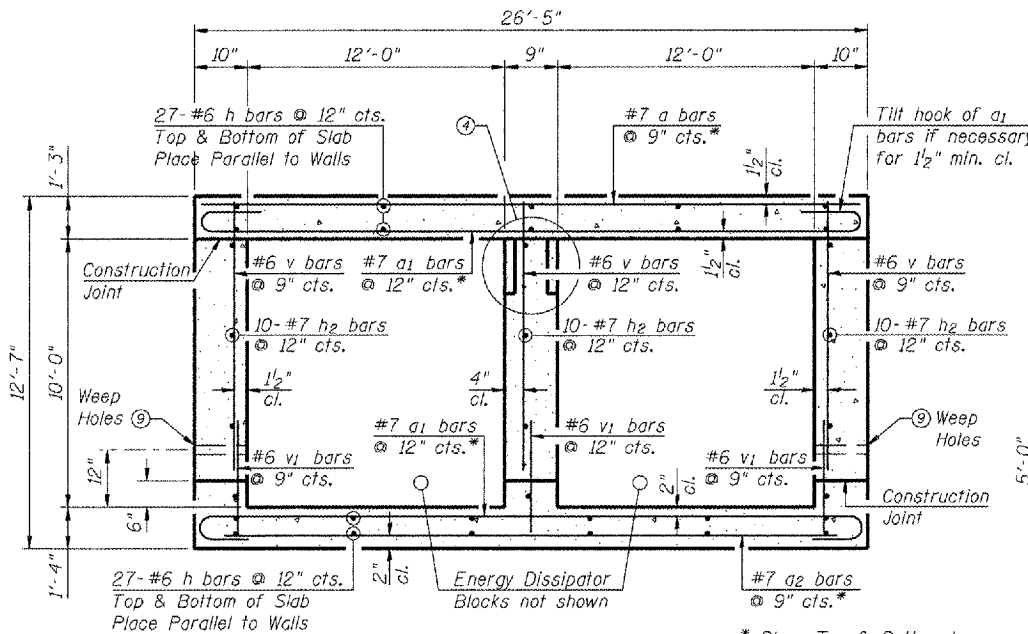


STATE OF ILLINOIS  
DEPARTMENT OF TRANSPORTATION

ROUTE NO.	SECTION	COUNTY	SHEET	DATE	SHEET NO.
F.A.U. 6761	*	Tazewell	154	95	4 SHEETS
FED. ROAD DIST. NO. 7	ILLINOIS	FED. AID PROJECT			

\*Section 04-00057-06-WR



**GENERAL NOTES**

- Reinforcement bars shall conform to the requirements of ASTM A 706 Gr 60 (IL Modified). See Special Provisions
- Reinforcement bars designated (E) shall be epoxy coated.
- Plan dimensions and details relative to existing plans are subject to routine variations. The Contractor shall field verify existing dimensions and details affecting new construction and make necessary approved adjustments prior to construction or ordering of materials. Such variations shall not be cause for additional compensation for a change in scope of the work, however, the Contractor will be paid for the quantity actually furnished based upon the unit price bid for the work.
- Layout of slope protection system may be varied in the field to suit ground conditions as directed by the Engineer. See Roadway Plans.
- All Construction Joints shall be bonded.
- Bars indicated thus: 12x4-#5 etc. indicates 12 lines of bars with 4 lengths per line.

DESIGNED	PJL
CHECKED	LLV
DRAWN	MGM
CHECKED	PJL

**KEY NOTES**

- 1" deep x 8" high x 4'-0" long nesting notches formed in both faces of center wall of downstream extension. Notches formed by rough-finished board attached to and removed with formwork.
- 3"  $\phi$  Weep Holes at  $\pm 8'-0"$  O.C. Typ. side walls and wing walls.

**WATERWAY INFORMATION**

Drainage Area = 3.66 sq. mi. Low Grade Elev. 594.30 @ Sta. 71+40									
Flood	Freq. Yr.	Q C.F.S.	Opening Sq. Ft. Exist.	Prop.	Nat. H.W.E.	Head - Ft. Exist.	Headwater El. Prop.		
Design	50	1,731	192	192	578.21	0.45	0.40	578.66	578.61
Base	100	2,034	192	192	578.74	0.75	0.68	579.49	579.42

LICK CREEK TRIBUTARY  
BUILT 20... BY  
TAEWELL COUNTY  
SEC. 04-00057-06-WR  
F.A.U. RT. 6761 STA. 73+39.50  
SN. 090-5004 LOADING HS20

**NAME PLATE**  
See Std. 515001

**GENERAL NOTES, SECTIONS, WATERWAY INFORMATION, AND NAME PLATE**

F.A.U. RT. 6761  
LICK CREEK TRIBUTARY  
SECTION 04-00057-06-WR  
TAEWELL COUNTY, STA. 73+39.50  
STRUCTURE NO. 090-5004

**STS CONSULTANTS**  
111 NE Jefferson Ave.  
Peoria, Illinois 61602  
Ph: (309) 676-8484  
FAX: (309) 676-5445  
IL Design Firm Reg. No. 184-001518