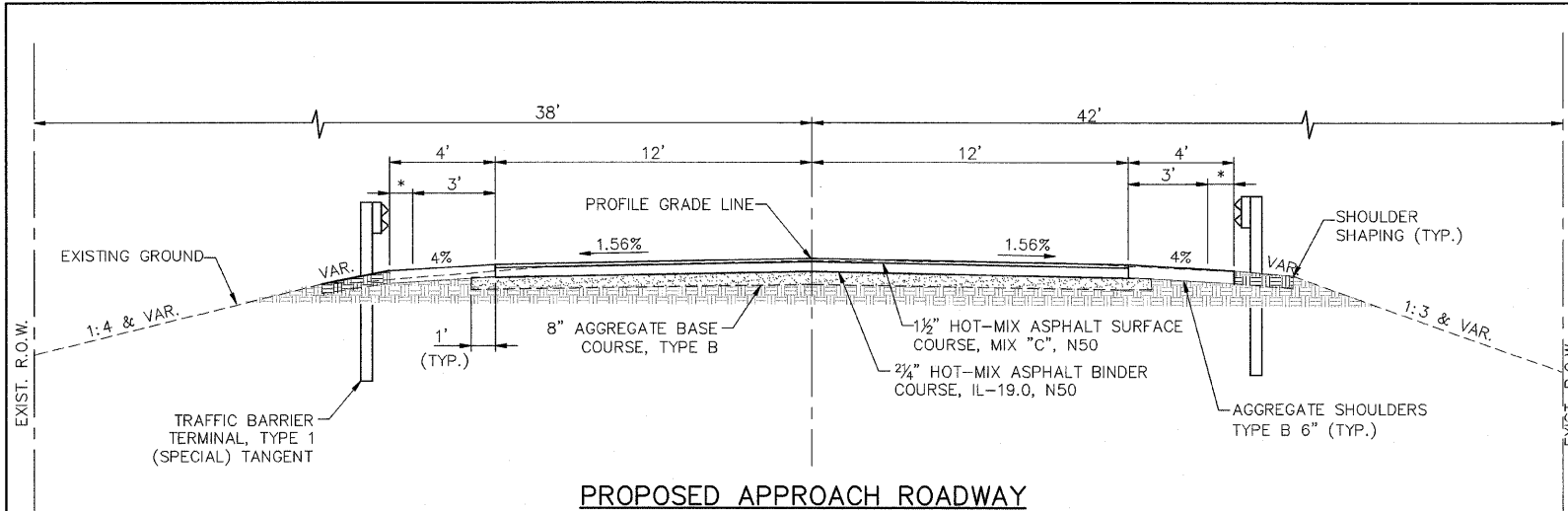


ROUTE NO.	SECTION	COUNTY	TOTAL SHEETS	SHEET NO.
F.A.S. 214	*	MERCER	16	3
FED. ROAD DIST. NO. 7		ILLINOIS	89387	

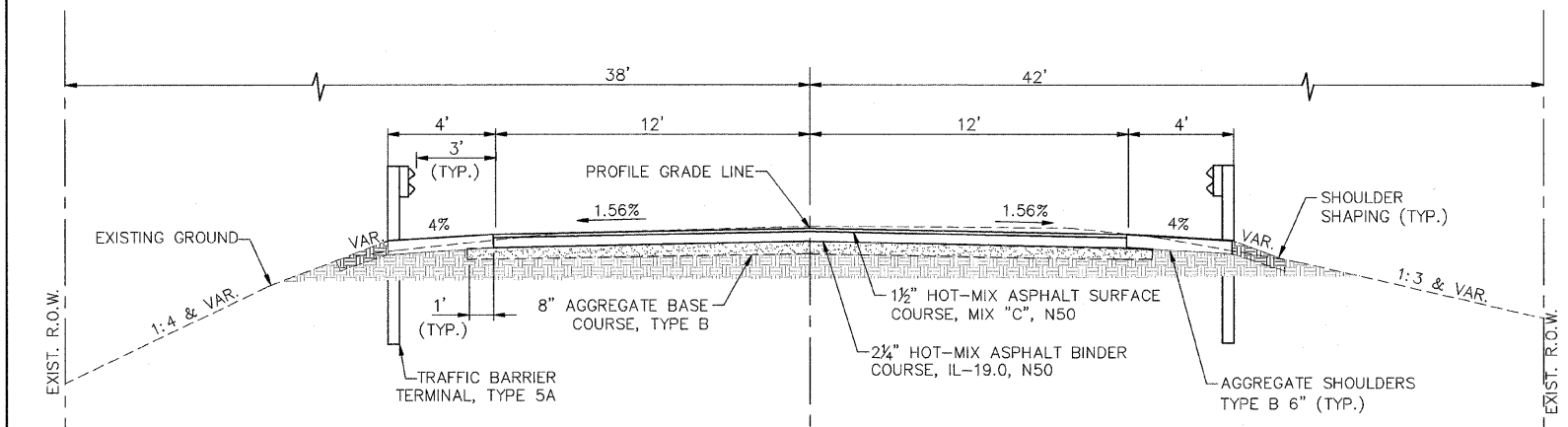
\*05-00023-02-BR



**PROPOSED APPROACH ROADWAY**

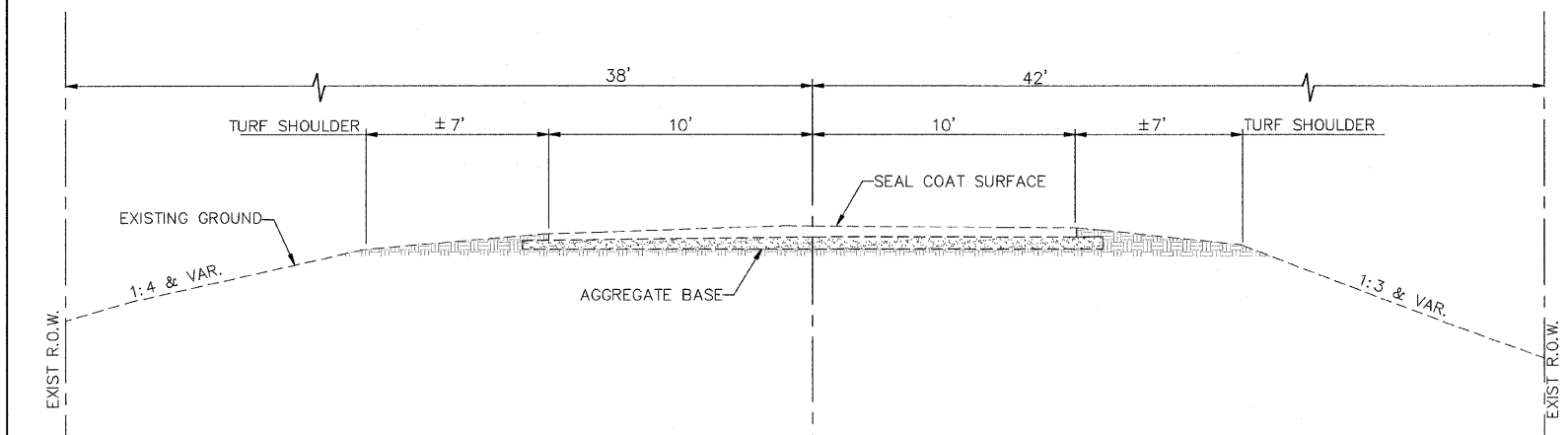
STA. 68+80 TO 69+66  
STA. 71+14 TO 72+00

\* VARIES FOR TRAFFIC BARRIER TERMINAL FLARE OUT

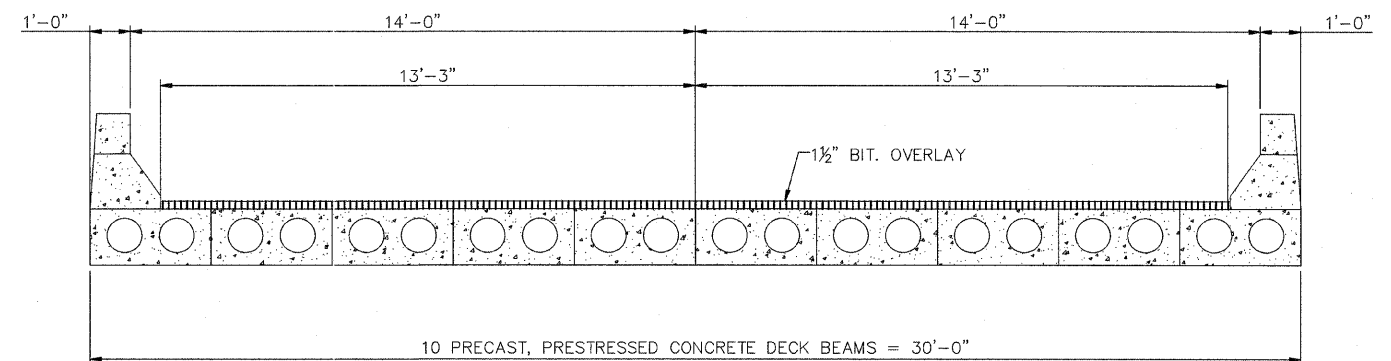


**PROPOSED BRIDGE APPROACH**

STA. 69+66 TO 69+79.25  
STA. 71+00.75 TO 71+14

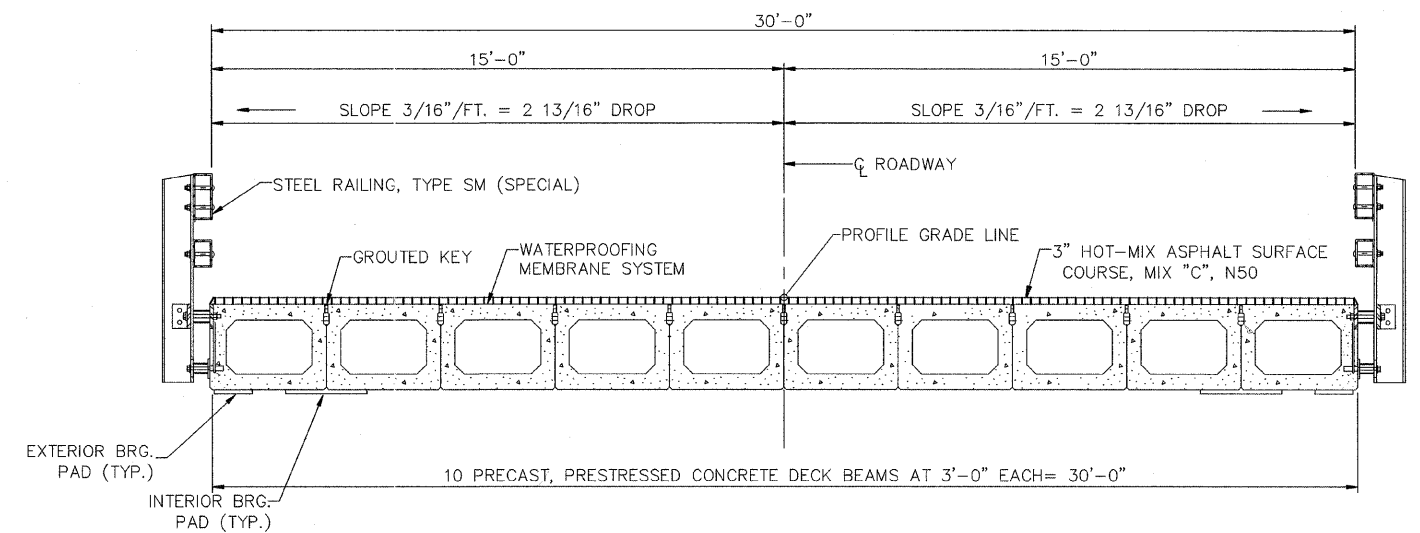


**EXISTING ROADWAY**



**EXISTING BRIDGE SECTION**

N.T.S.



**PROPOSED BRIDGE SECTION**

N.T.S.

**BITUMINOUS MIXTURE REQUIREMENTS**

MIXTURE USES:	BITUMINOUS SURFACE COURSE	BITUMINOUS CONCRETE BINDER COURSE
AC/PG:	PG 64-22	PG 64-22
RAP% (MAX)**	15%	25%
DESIGN AIR VOIDS	4% @ N DESIGN = 50	4% @ N DESIGN = 50
MOISTURE COMPOSITION (GRADATION MIXTURE)	IL 9.5 OR 12.5	IL 19.0
FRICTION AGGREGATE	MIXTURE C:	N/A

\*\* IF > 15% RAP IS USED, THE CONTRACTOR MAY BE REQUIRED TO USE A SOFTER GRADE OF ASPHALT AS DETERMINED BY THE MATERIALS ENGINEER.

**TYPICAL SECTIONS AND DETAILS**

SECTION 05-00023-02-BR

F.A.S. 214, STA. 70+40

MERCER COUNTY

STRUCTURE NO. 066-3043