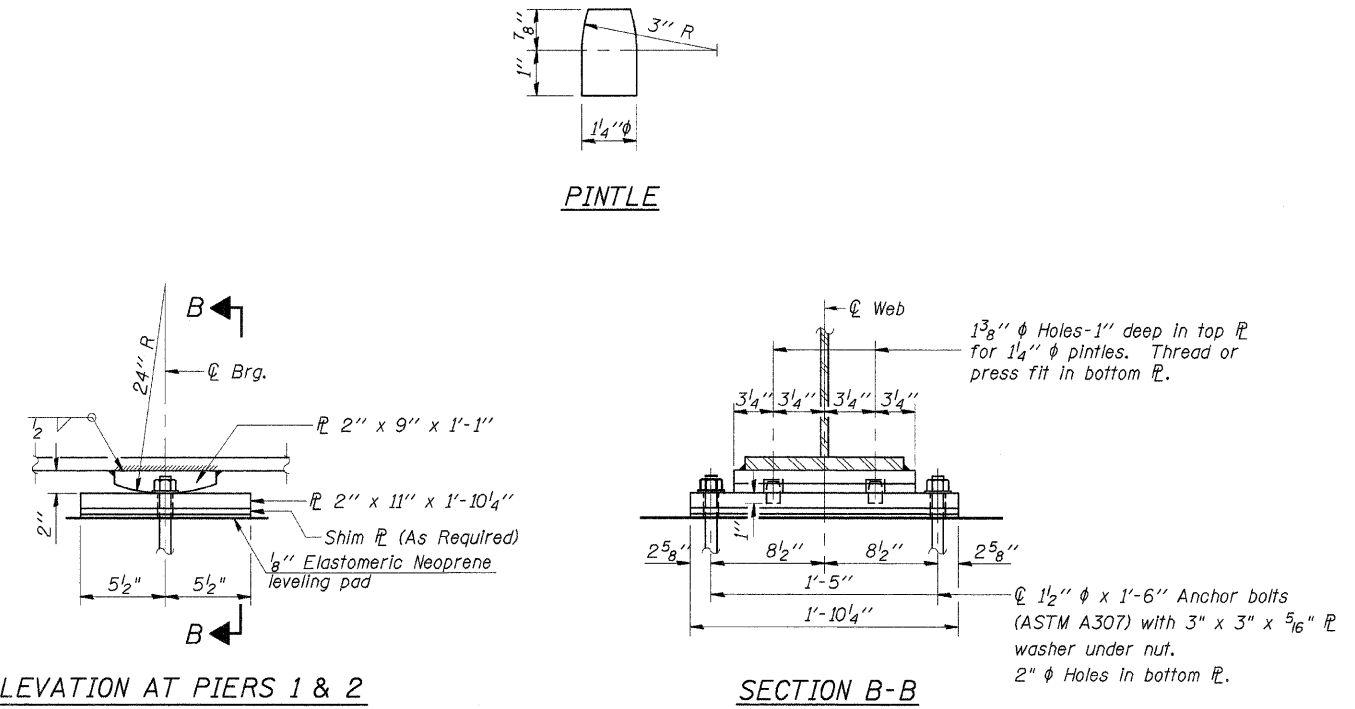
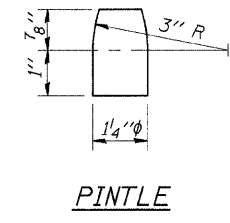


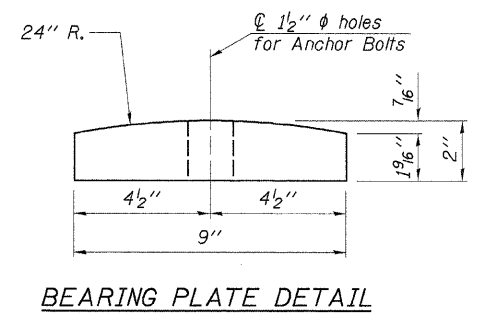
ABUTMENT BEARING
10 Required
Weight included with Structural Steel.



FIXED BEARING
(10 Required)
Weight included with Structural Steel.



Notes: Anchor bolts at fixed bearings may be
built into the masonry.
See sheet 12 of 17 for Anchor Bolt installation.



DESIGNED	A.R.K.
CHECKED	F.J.S. & S.F.M.
DRAWN	S.A.P.
CHECKED	A.R.K. & F.J.S.

I-2-E2 9-1-03

Work this Sheet with Sheets 9 & 10 of 17.

BEARING DETAILS

SECTION 03-00147-01-BR
COUNTY HIGHWAY 7
STARK COUNTY
STATION 155+75

4440 ASH GROVE SPRINGFIELD, IL. 62711 (217) 793-8800 oasinc@insightbb.com	FEHR-GRAHAM & ASSOCIATES, LLC ENGINEERING AND SCIENCE CONSULTANTS FRESNO, CA. ROCKFORD, IL. RICHMOND, IL. SPRINGFIELD, IL.	JOB NO.: 46808 FILE: 46808BRG.DGN DATE: 10/04/07
--	---	--