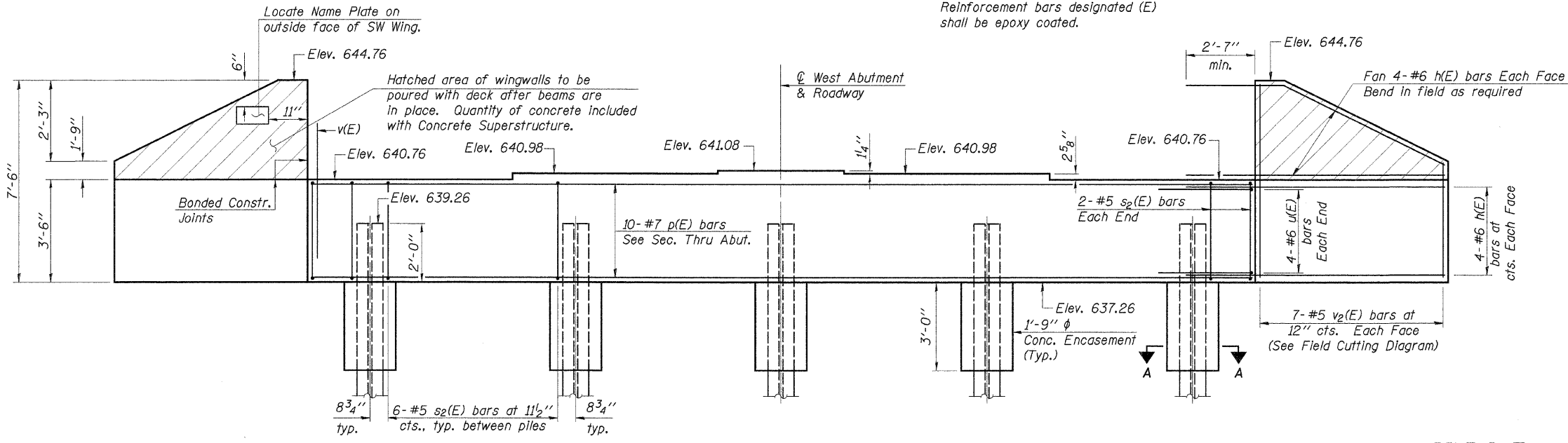
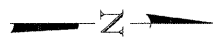


Notes: Four steps monolithically with cap. Reinforcement bars designated (E) shall be epoxy coated.



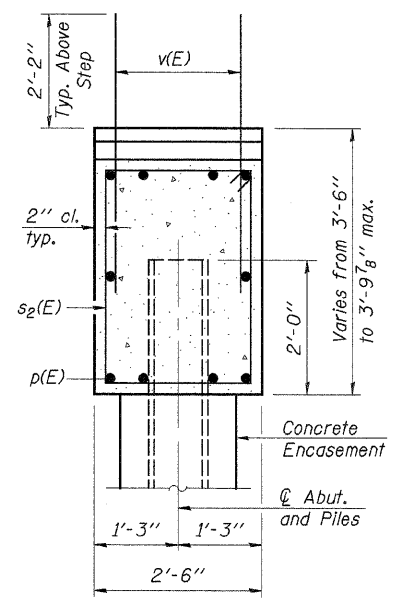
ELEVATION
(Looking West)



PILE DATA

Type..... Steel HP10x42
 No. Req'd..... *5
 Nominal Required Bearing..... 335 kips
 Allowable Resistance Available..... 112 kips
 Est. Length..... 38 Feet/Pile

*Includes 1 Test Pile to be driven in a permanent location at the West Abutment.
 The steel H-piles shall be according to AASHTO M270 Grade 50.

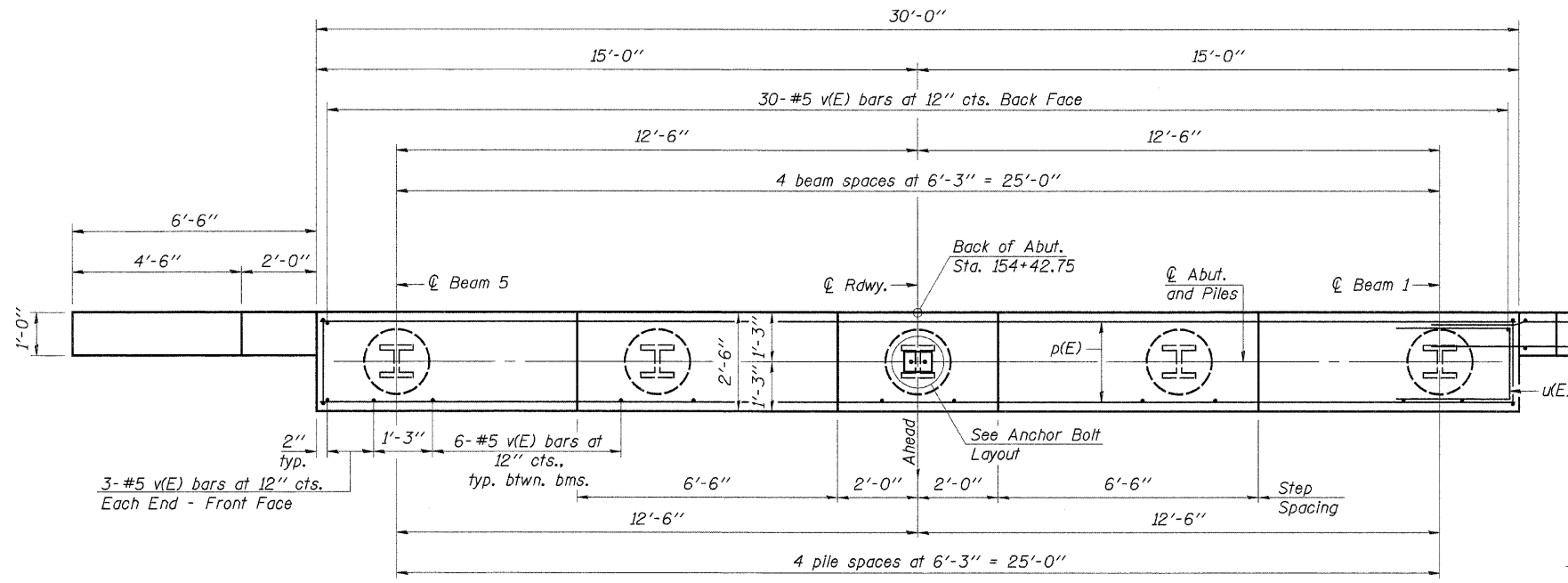


SEC. THRU ABUT.

BILL OF MATERIAL

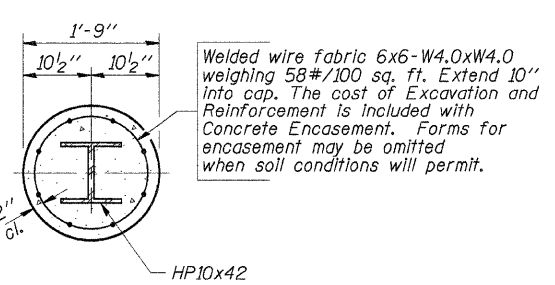
Bar	No.	Size	Length	Shape
h(E)	32	#6	8'-11"	
p(E)	10	#7	29'-8"	
s2(E)	28	#5	11'-7"	□
u(E)	8	#6	12'-1"	□
v(E)	60	#5	4'-4"	
v2(E)	14	#5	12'-3"	
Concrete Structures		Cu. Yd.	11.8	
Reinforcement Bars, Epoxy Coated		Pound	1,970	
Structure Excavation		Cu. Yd.	125	
Name Plates		Each	1	
Steel Piles HP10x42		Foot	152	
Test Pile Steel HP10x42		Each	1	
Concrete Encasement		Cu. Yd.	1.3	
Protective Coat		Sq. Yd.	7	
Porous Granular Embankment (Special)		Cu. Yd.	52	
Geocomposite Wall Drain		Sq. Yd.	32	
Pipe Underdrains for Structures 4"		Foot	65	

See Sheet 2 of 17 for Abutment Drainage Details.

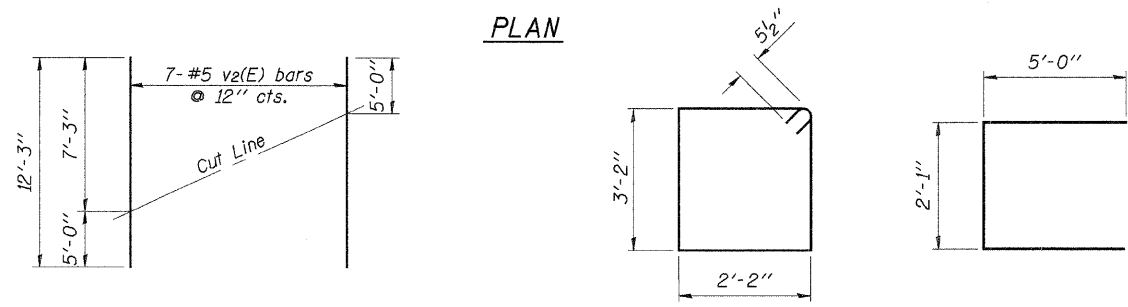


PLAN

ANCHOR BOLT LAYOUT



SECTION A-A



FIELD CUTTING DIAGRAM

Order v2(E) full length. Cut as shown and use remainder of bars in opposite face.

BAR s2(E)

BAR u(E)

DESIGNED	A.R.K.
CHECKED	F.J.S. & S.F.M.
DRAWN	S.A.P.
CHECKED	A.R.K. & F.J.S.
AI-0	9-01-03

WEST ABUTMENT
 SECTION 03-00147-01-BR
 COUNTY HIGHWAY 7
 STARK COUNTY
 STATION 155+75