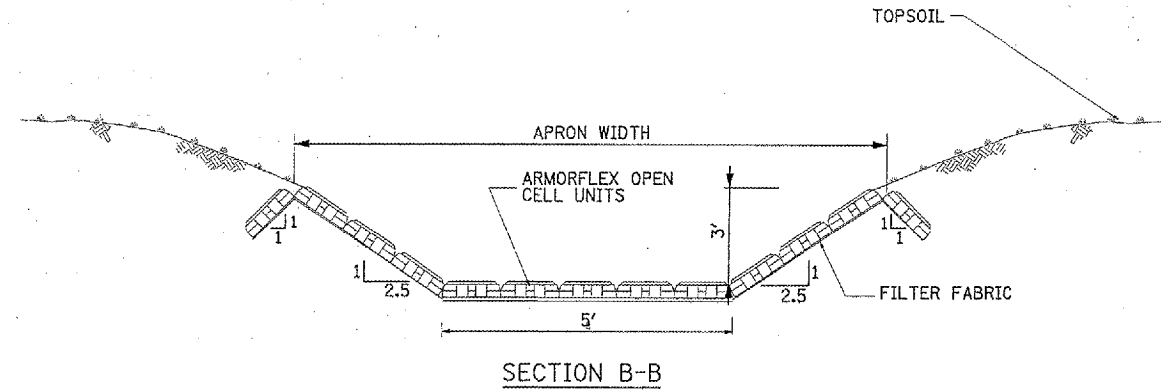
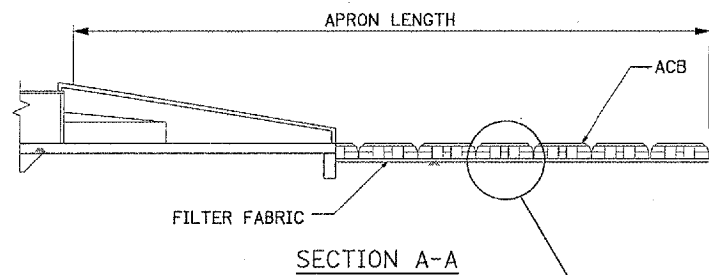


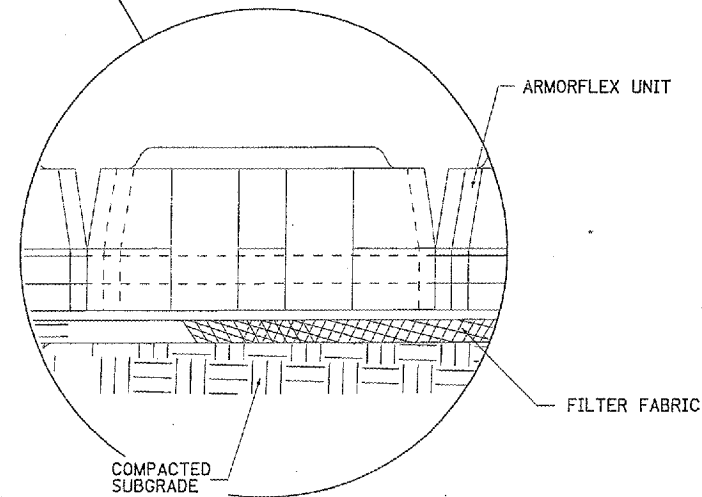
PLAN - CULVERT OUTLET PARALLEL TO CHANNEL



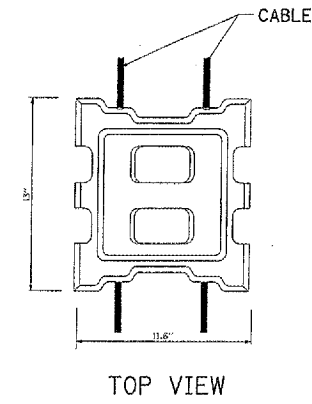
FROM		TO		CULV. SIZE	MAT LENGTH	MAT WIDTH	QUANTITY	FILTER FABRIC
STA	OFFSET	STA	OFFSET					
112+45.00	40.00' LT.	112+85.00	44.00' LT.	30" DIA.	40.0'	21.0'	93	93



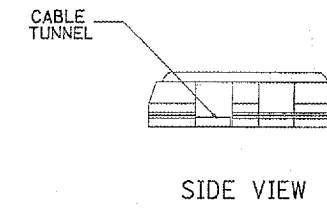
SECTION A-A



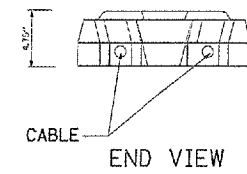
N.T.S.



TOP VIEW



SIDE VIEW



END VIEW

UNIT BLOCK WEIGHT: 31-33 LBS.

FILE NAME =	USER NAME = Andor-025-6	DESIGNED - MPB	REVISED -
1:\95_obs\05p22246\civil\sheet\0-502.dwg		DRAWN - DLC	REVISED -
		CHECKED -	REVISED -
		DATE -	REVISED -

STATE OF ILLINOIS
DEPARTMENT OF TRANSPORTATION

ARTICULATED BLOCK REVETMENT MAT DETAIL

SCALE: 1:20 SHEET NO. OF SHEETS STA. TO STA.

F.A. RTE.	SECTION	COUNTY	TOTAL SHEETS	SHEET NO.
464	07-00014-00-SP	TAZEWELL	44	15
FED. ROAD DIST. NO. 7 ILLINOIS FED. AID PROJECT			CONTRACT NO. 89480 HS 1467-104	