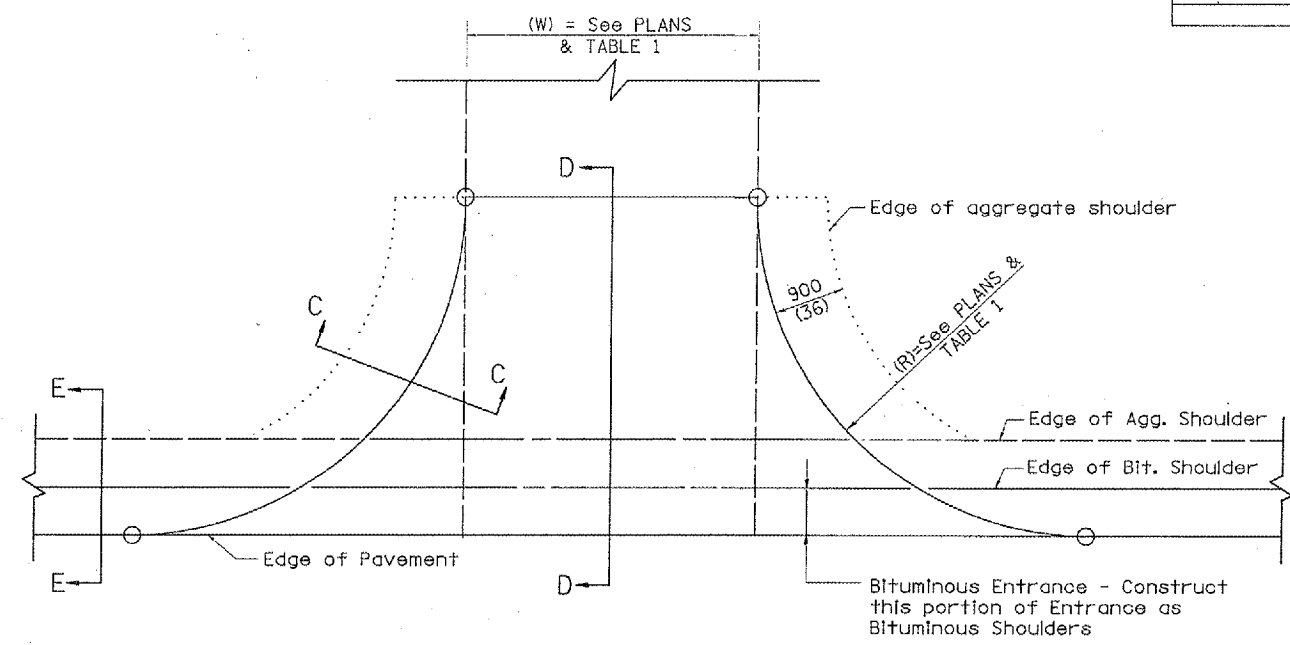
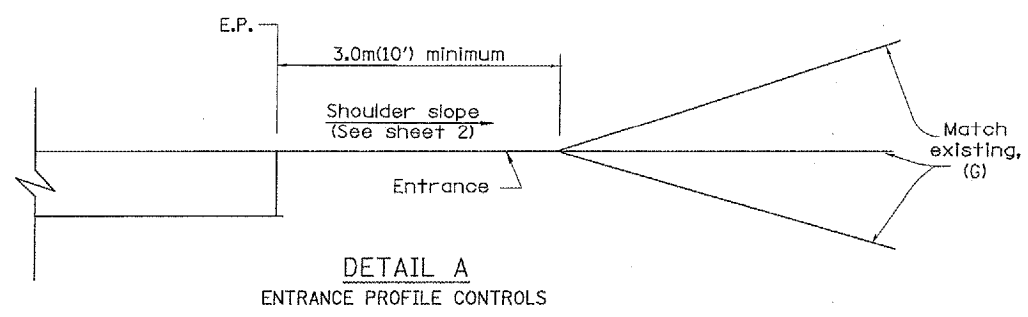


PLAN  
AGGREGATE ENTRANCE



PLAN  
PCC OR BITUMINOUS ENTRANCE



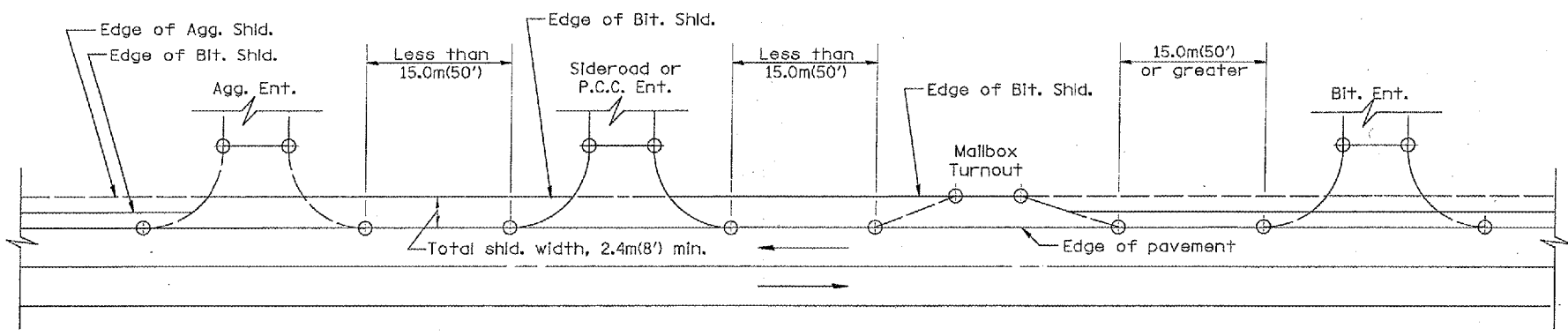
DETAIL A  
ENTRANCE PROFILE CONTROLS

ELEMENT	NON-COMMERCIAL		NON-COMMERCIAL W/ LARGE FARM EQUIPMENT		COMMERCIAL			
					1-WAY OPERATION	2-WAY OPERATION		
WIDTH (W)	3.6m(12') MIN.	7.2m(24') MAX.	6.1m(20') MIN.	9.0m(30') MAX.	4.3m(14') MIN.	7.2m(24') MAX.	7.2m(24') MIN.	10.7m(35') MAX.
RADIUS (R)	3.0m(10') MIN.	12.0m(40') MAX.	3.0m(10') MIN.	12.0m(40') MAX.	6.1m(20') MIN.	15.0m(50') MAX.	6.1m(20') MIN.	15.0m(50') MAX.
MAX. GRADE (G)	12%		12%		10%			

GENERAL NOTES

- Entrances shall slope away from the pavement edge at a rate equal to the shoulder slope for a minimum distance of 3.0m(10'). See DETAIL 'A'.
- The total shoulder width, 2.4m(8') minimum, shall be paved between sideroads, entrances and/or mailbox turnouts, at locations where the distance between radius or taper control points is less than 15.0m(50'). See DETAIL 'B'.
- The width of bituminous stub for field entrances shall be equal to the bituminous shoulder width unless otherwise shown.

All slopes ratios are expressed as units of vertical displacement to units of horizontal displacement (V:H).  
All dimensions are in millimeters (inches) unless otherwise noted.



DETAIL B  
SHOULDER TREATMENT FOR CLOSELY SPACED SIDEROADS,  
ENTRANCES, AND/OR MAILBOX TURNOUTS  
(SEE GENERAL NOTE 2, SHEET 1)

DATE	REVISIONS	BY
1-1-97	RENUM. C-103.06, NEW REVISION BOX	T.P.
7-1-97	REVISE DESIGNER NOTES	J.A.

ILLINOIS DEPARTMENT OF TRANSPORTATION  
DISTRICT CADD STANDARD  
RURAL ENTRANCES FOR  
"3R" PROJECTS  
SHEET 1 OF 2  
CADD STD NO. 406301-D4  
SCALE: NOT DRAWN TO SCALE  
DATE: \*\*DATE\*\*  
DRAWN BY: CADD  
CHECKED BY: T. PICKERING

DESIGNER NOTE  
 1. DESIGNER SHOULD REVIEW "HANDBOOK FOR THE POLICY ON PERMITS FOR ACCESS DRIVEWAYS TO STATE HIGHWAYS"  
 2. DESIGNER SHOULD REVIEW BLE PROCEDURE MEMORANDUM 95-20, EFFECTIVE 7-1-91 ENTITLED "3R DESIGN POLICIES FOR REHABILITATING HIGHWAYS, STREETS AND BRIDGES FOR OTHER THAN FREEWAYS AND EXPRESSWAYS" Revised July 1995.  
 \*\*DATE\*\*