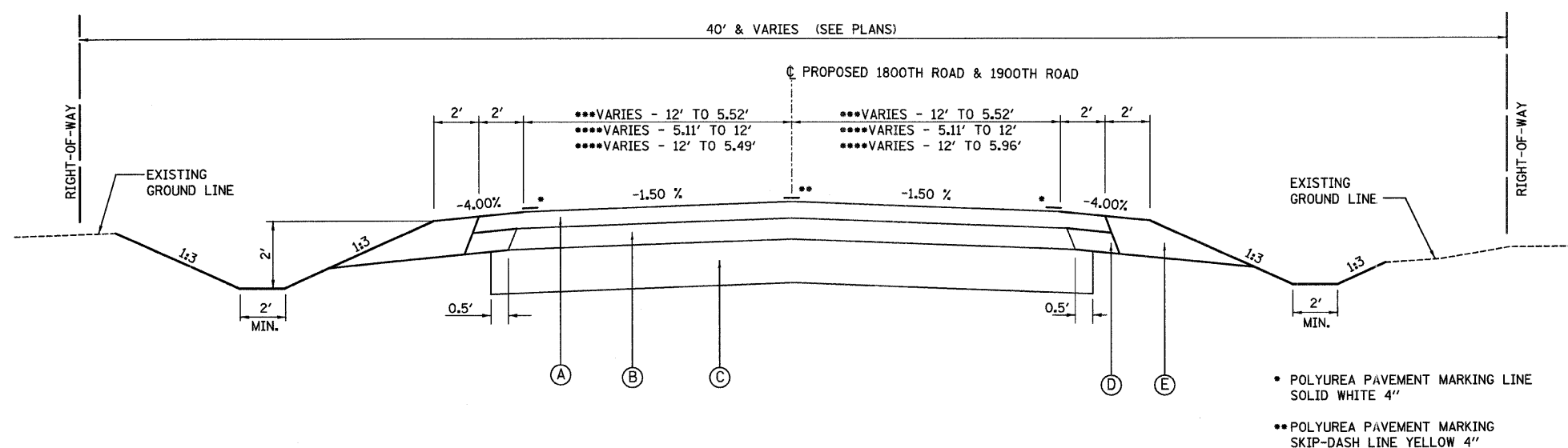


ROUTE NO.	SECTION	COUNTY	TOTAL SHEETS	SHEET NO.
CH 11	*	EDGAR	160	8

FED. ROAD DIST. NO. 5 ILLINOIS PROJECT

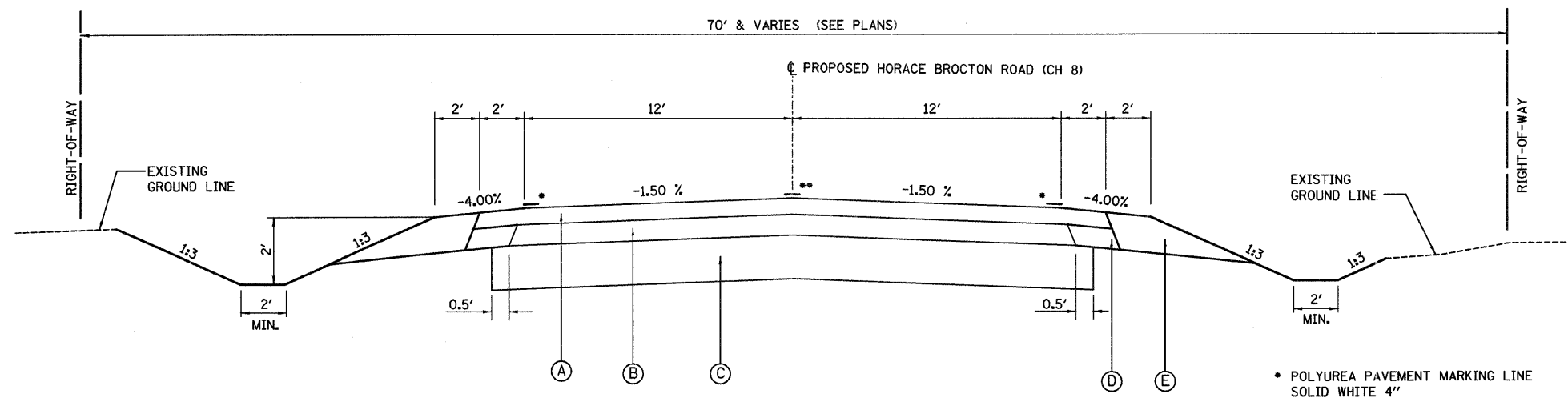
* 05-00092-01-PV



PROPOSED TYPICAL SECTION - 1800TH ROAD & 1900TH ROAD

*** 1800TH ROAD
 STA 500+12 TO STA 501+48.32
 **** 1900TH ROAD
 STA 601+51.58 TO STA 601+88
 STA 602+12 TO STA 603+31.70

- * POLYUREA PAVEMENT MARKING LINE SOLID WHITE 4"
- ** POLYUREA PAVEMENT MARKING SKIP-DASH LINE YELLOW 4"



PROPOSED TYPICAL SECTION - HORACE BROCTON ROAD (CH 8)

STA 296+00 TO STA 314+75

- * POLYUREA PAVEMENT MARKING LINE SOLID WHITE 4"
- ** POLYUREA PAVEMENT MARKING SKIP-DASH LINE YELLOW 4"

LEGEND

- (A) 1 1/2" HOT MIX ASPHALT SURFACE COURSE
- (B) 4 1/2" HOT MIX ASPHALT BINDER COURSE
- (C) PROCESSING MODIFIED SOIL 10"
- (D) 4 1/2" HOT MIX ASPHALT SHOULDER
- (E) 6" AGGREGATE SHOULDER TYPE B

PROPOSED TYPICAL SECTIONS

REVISIONS No. DATE INITIALS		SHILOH ROAD (CH 11) EDGAR COUNTY, ILLINOIS		DRAWN BY: RLK DATE: 7/07
		HOMER L. CHASTAIN & ASSOCIATES, LLP CONSULTING ENGINEERS 184-081277		CHECKED BY: CAS DATE: 7/07
		DECATUR CHICAGO (317) 422-8544 (773) 714-0050		BOOK NUMBER: 469
		ROCKFORD (815) 489-0050		PROJECT No.: 5245
				SHEET No.:

*SEE SCHEDULES FOR TYPE.