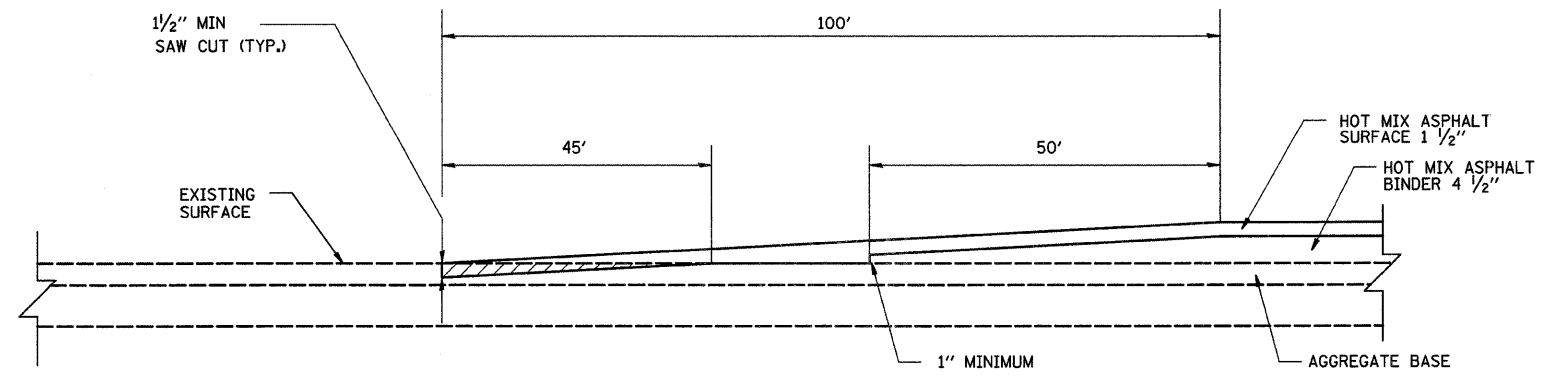


ROUTE NO.	SECTION	COUNTY	TOTAL SHEETS	SHEET NO.
CH 11	*	EDGAR	160	44

FED. ROAD DIST. NO. 5 ILLINOIS PROJECT
 * 05-00092-01-PV



RAMPING DETAIL
 BEGINNING AND END OF PROJECT

RAMP LOCATIONS				
	ROAD	BEGIN STATION	END STATION	SURFACE TYPE
BEGINNING OF PROJECT	CH 11	7+50	8+50	CONCRETE
	CH 8	296+00	297+00	HOT-MIX ASPHALT
END OF PROJECT	CH 11	136+00	135+00	OIL & CHIP
	CH 8	314+75	313+75	HOT-MIX ASPHALT

MISCELLANEOUS DETAILS				
REVISIONS No. DATE INITIALS		SHILOH ROAD (CH 11) EDGAR COUNTY, ILLINOIS		DRAWN BY DATE RLK 7/07
				CHECKED BY DATE CAS 7/07
				BOOK NUMBER 469
		HOMER L. CHASTAIN & ASSOCIATES, LLP CONSULTING ENGINEERS <small>184-001977</small>		PROJECT No. 5245
		DECATUR CHICAGO <small>(317) 422-8544 (773) 714-0050</small>		SHEET No.
		ROCKFORD <small>(815) 489-0050</small>		