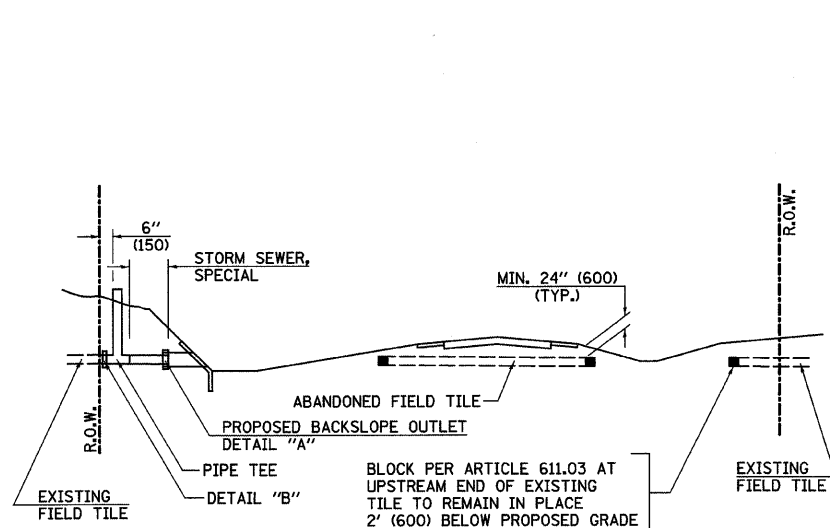


ROUTE NO.	SECTION	COUNTY	TOTAL SHEETS	SHEET NO.
CH 11	*	EDGAR	160	45
FED. ROAD DIST. NO. 5		ILLINOIS	PROJECT	

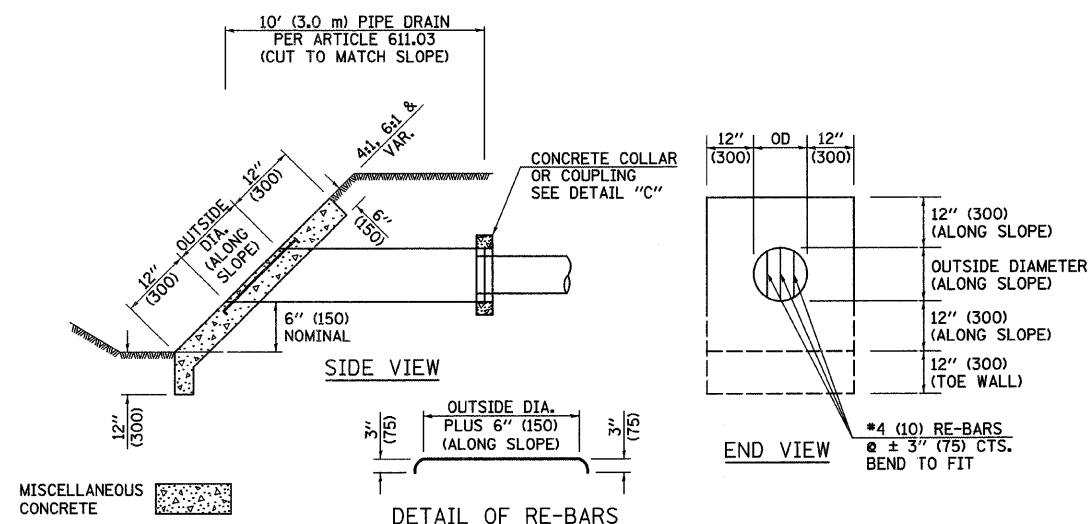
* 05-0092-01-PV

DETAIL FOR TREATMENT OF EXISTING FIELD TILE SYSTEMS



METHOD 'A' (2 LANE)

STORM SEWER FLOW LINE ABOVE PROPOSED DITCH FLOW LINE

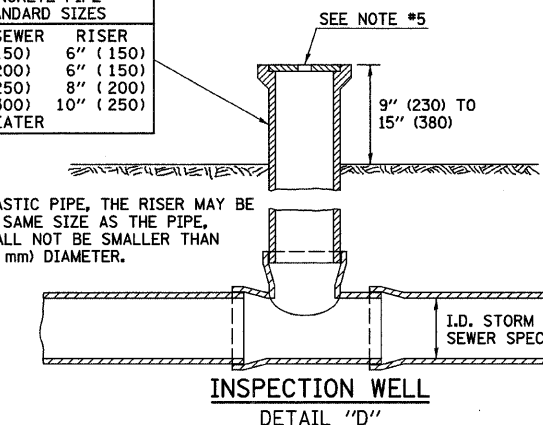


HEADWALL FOR BACKSLOPE OUTLET

DETAIL "A"

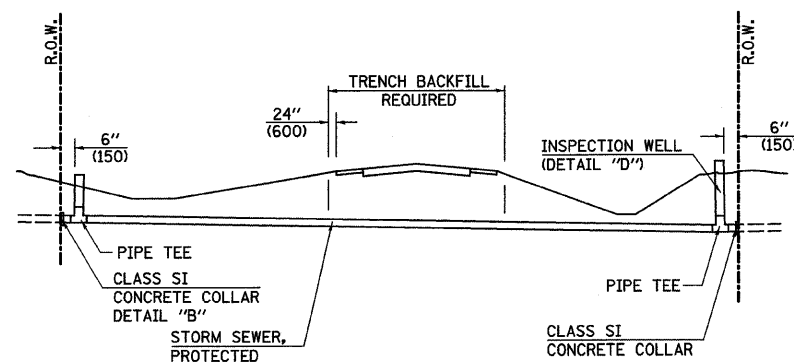
CONCRETE PIPE STANDARD SIZES	
STORM SEWER	RISER
6" (150)	6" (150)
8" (200)	6" (150)
10" (250)	8" (200)
12" (300)	10" (250)
OR GREATER	

FOR PLASTIC PIPE, THE RISER MAY BE OF THE SAME SIZE AS THE PIPE, BUT SHALL NOT BE SMALLER THAN 4" (100 mm) DIAMETER.



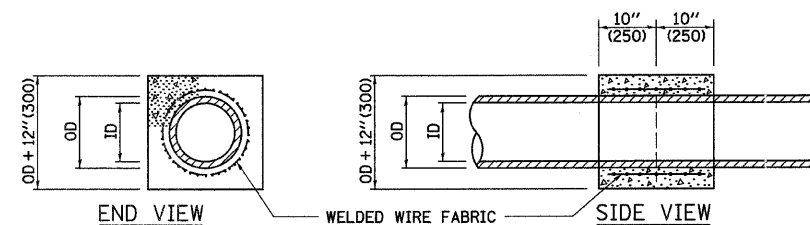
GENERAL NOTES

1. THE FIELD TILE SHALL BE REPLACED WITHIN THE LIMITS OF THE RIGHT-OF-WAY IN ACCORDANCE WITH METHOD "B".
2. INSPECTION WELLS SHALL BE CONSTRUCTED APPROXIMATELY 6" (150 mm) INSIDE OF BOTH RIGHT-OF-WAY LINES AT ALL FIELD TILE LOCATIONS.
3. EXISTING FIELD TILE ABANDONED UNDER EXISTING PAVEMENTS OR PAVED SHOULDERS SHALL BE FILLED WITH FLOWABLE GROUT AS DIRECTED BY THE ENGINEER. THIS WORK WILL BE PAID FOR ACCORDING TO ARTICLE 109.04.
4. HEADWALL FOR BACKSLOPE OUTLET MAY BE USED FOR PIPE DRAIN DIAMETERS UP TO 10" (250 mm). SPECIAL DESIGNS WILL BE REQUIRED FOR LARGER SIZES.
5. THE INSPECTION WELL LID FOR P.C.C. PIPE SHALL BE CONSTRUCTED OF 3/8" (10 mm) CAST IRON AND PROVIDED WITH A 1" (25 mm) DIAMETER HOLE IN CENTER. THE LID FOR THE OTHER PIPE MATERIALS SHALL BE A GRATE ASSEMBLY PREFABRICATED FOR AND COMPATIBLE WITH THE PIPE SYSTEM.



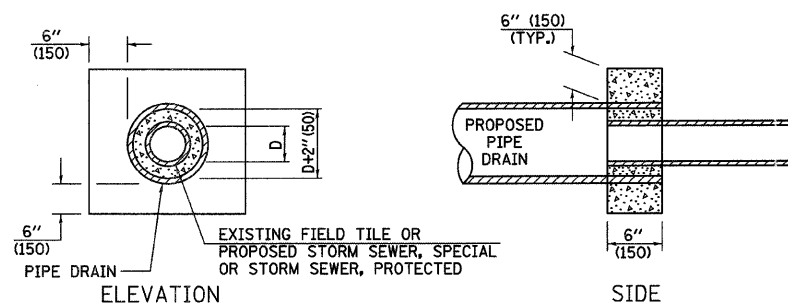
METHOD 'B' (2 LANE)

STORM SEWER LESS THAN 2' (600 mm) BELOW DITCH FLOW LINE AND STORM SEWERS CROSSING UNDER PAVEMENT



CONCRETE COLLAR

DETAIL "B"



CLASS SI COLLAR

DETAIL "C"

ALL DIMENSIONS ARE IN INCHES (MILLIMETERS) UNLESS OTHERWISE SHOWN.

MISCELLANEOUS DETAILS

REVISIONS		SHILOH ROAD (CH 11) EDGAR COUNTY, ILLINOIS		DRWN BY DATE RLK 7/07
No.	DATE	INITIALS		CHECKED BY DATE CAS 7/07
1				BOOK NUMBER 469
2				PROJECT No. 5245
3				SHEET No.
4				
5				
6				
7				
8				
9				
10				

HOMER L. CHASTAIN & ASSOCIATES, LLP
CONSULTING ENGINEERS

DECATUR CHICAGO
(817) 422-8444 (773) 714-0060

ROCKFORD
(815) 489-0050

104-001297