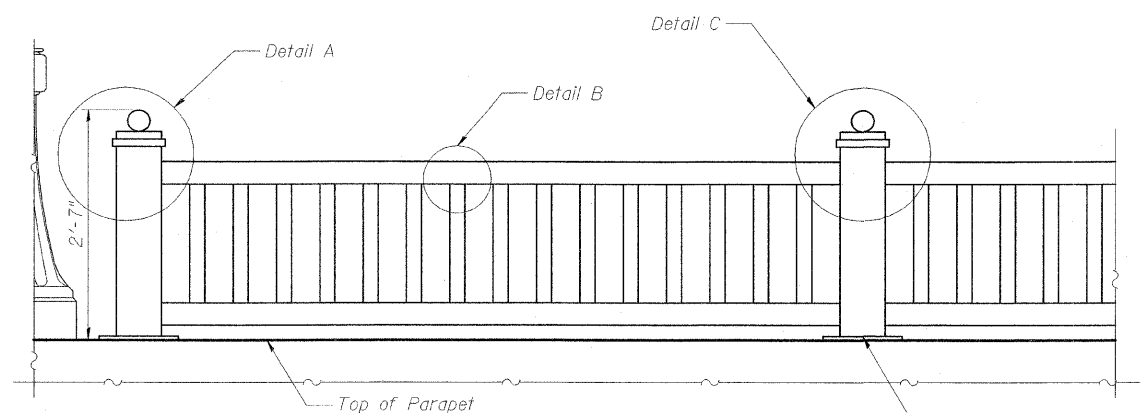


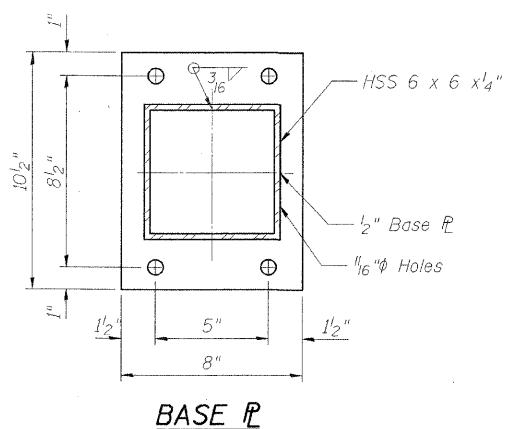
ROUTE NO.	SECTION	COUNTY	TOTAL SHEETS	SHEET NO.	SHEET NO. 6 21 SHEETS
F.A.I. 57	00-00374-03 LS	Champaign	21	6	
FED. ROAD DIST. NO.	ILLINOIS	FED. AID PROJECT			

Contract # 91382

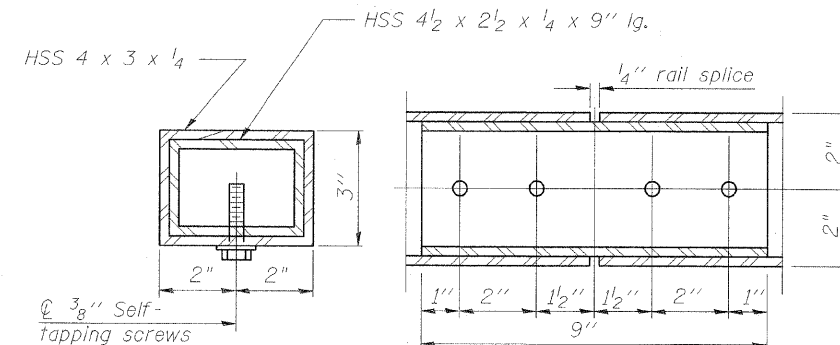
Note:
All post, railing, splices, and bent plates shall be galvanized and painted. See Special Provisions.



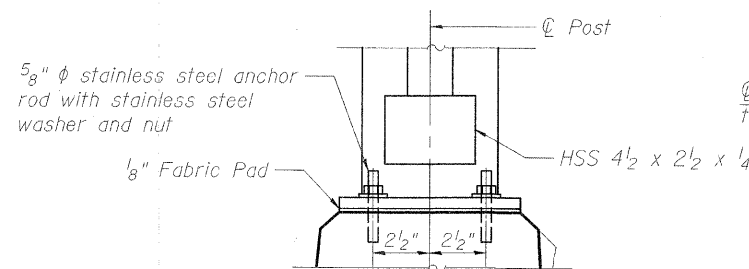
PARAPET RAILING ELEVATION



BASE PLATE

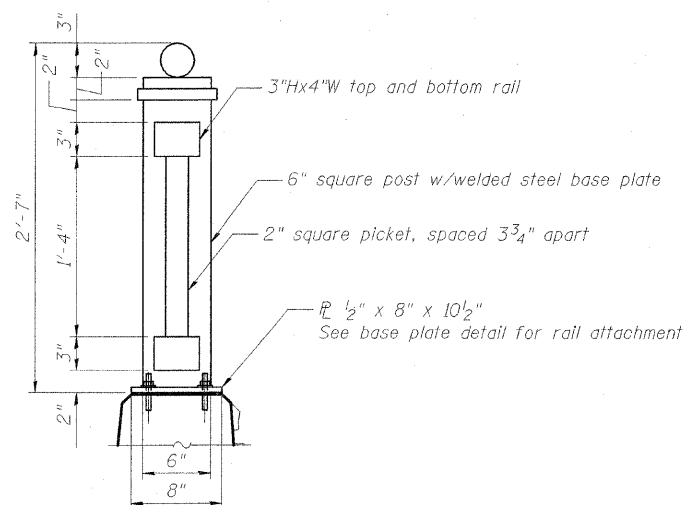


RAIL SPLICE

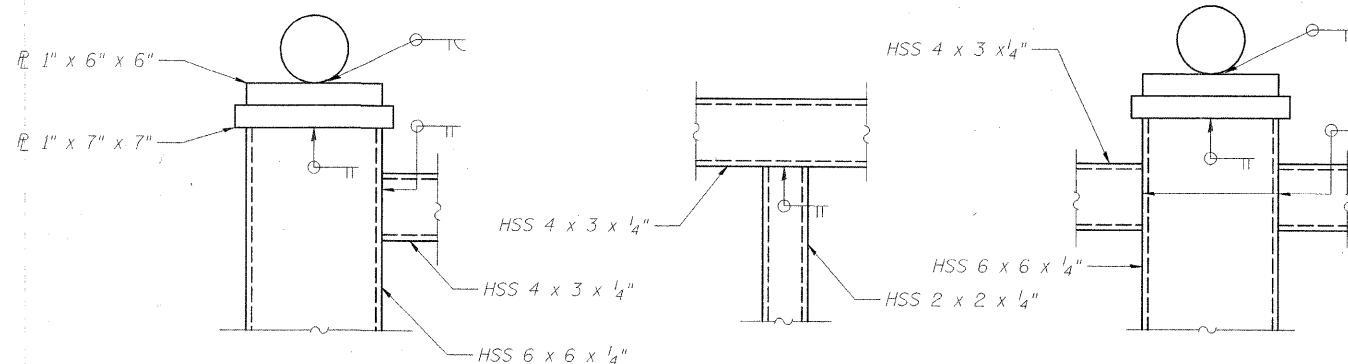


ANCHOR BOLT DETAILS

5/8" anchor rods shall be drilled and set according to Article 509.06 of the Standard Specifications. Embedment shall be according to the manufacturer's specifications.



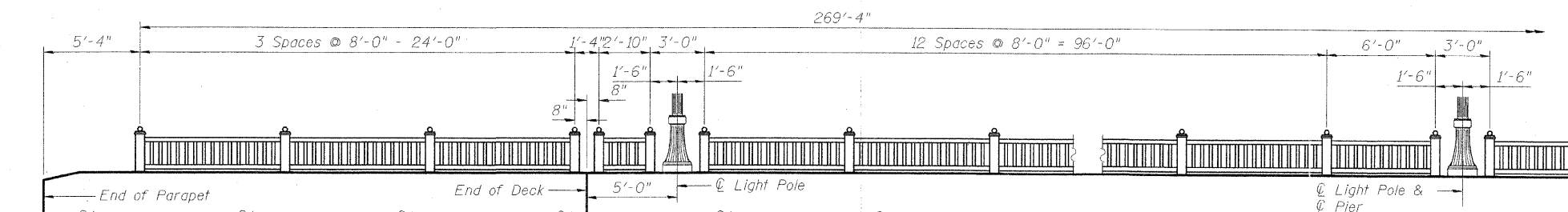
PARAPET RAILING SECTION



DETAIL A

DETAIL B

DETAIL C



RAIL POST SPACING

(Typical North and South Side of bridge. Railing is symmetric about centerline of Pier.)

BILL OF MATERIAL

Item	Unit	Quantity
Parapet Railing, Special	Foot	539

**RAILING DETAILS
CURTIS ROAD BRIDGE ENHANCEMENTS
CHAMPAIGN COUNTY
STATION 297+20.45**

DESIGNED	SLD
CHECKED	SMM
DRAWN	SLD
CHECKED	SMM

Clark Dietz
ENGINEERS

DESIGN FIRM REGISTRATION
No. 184-000450
1817 SOUTH NEIL STREET
SUITE 100
CHAMPAIGN, IL 61820
PHONE : 217.373.8900
FAX : 217.373.8923