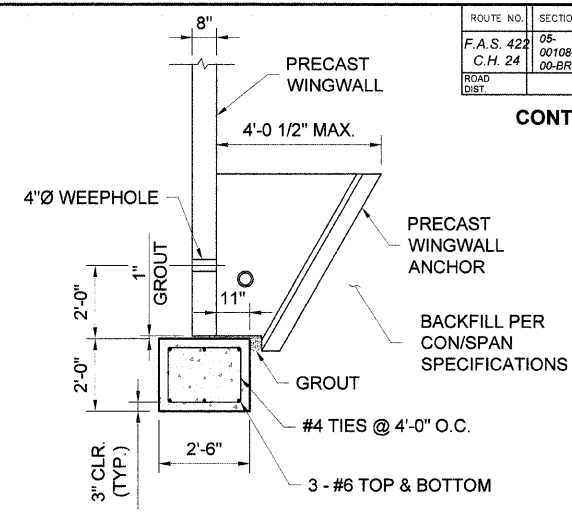
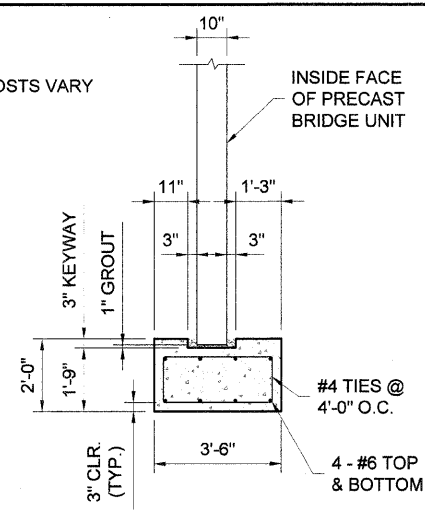
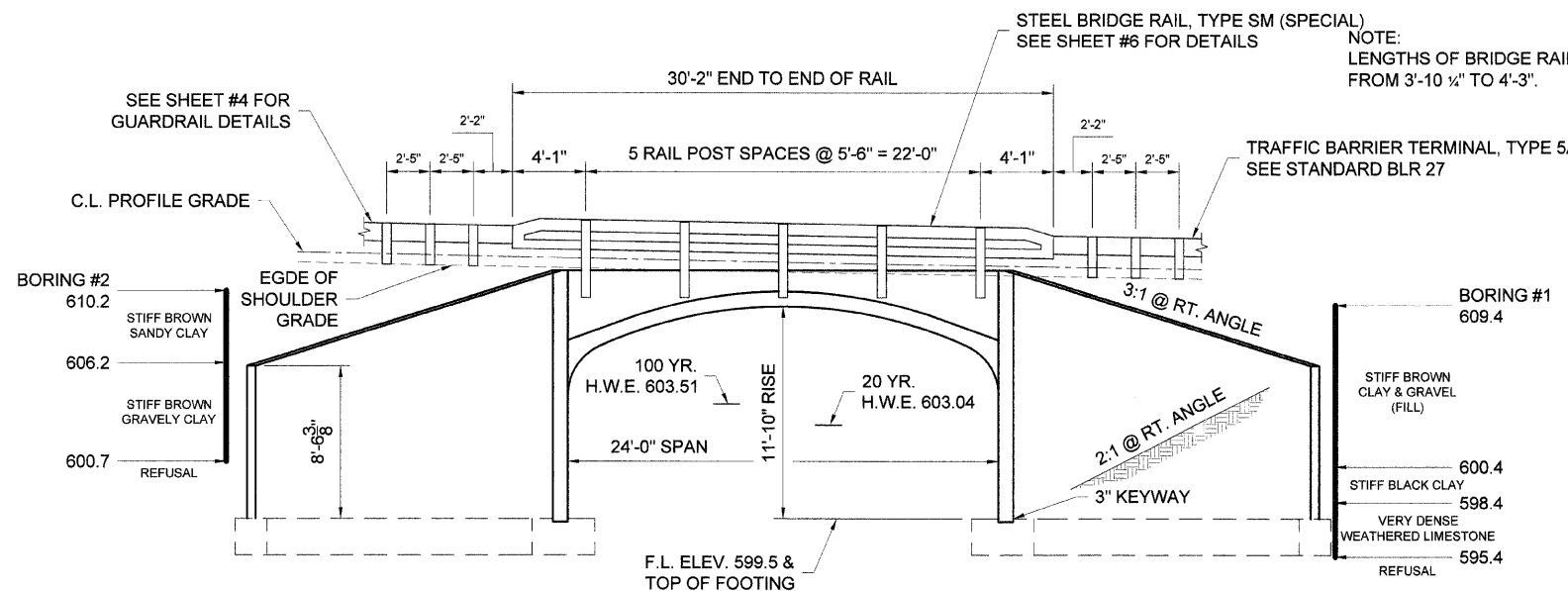
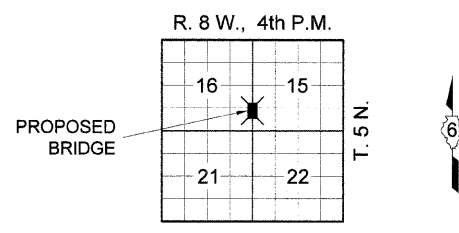


CONTRACT NO. : 93449

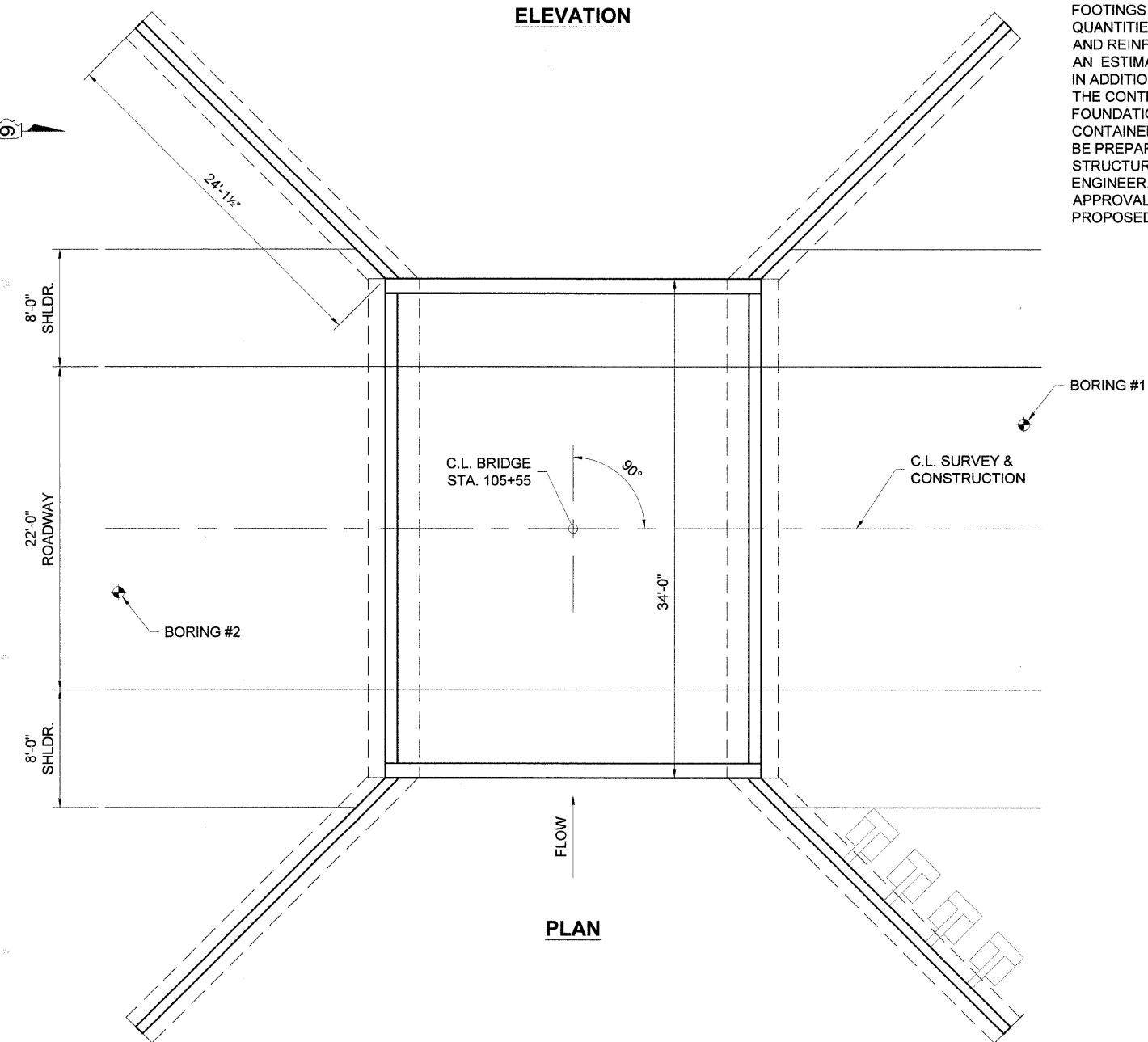


NOTE:
FOOTINGS ARE FOR EXAMPLE ONLY.
QUANTITIES FOR CONCRETE STRUCTURES AND REINFORCEMENT BARS ARE JUST AN ESTIMATE.
IN ADDITION THE SUPPLIER SELECTED BY THE CONTRACTOR SHALL SUBMIT A COMPLETE FOUNDATION DESIGN BASED ON THE BORINGS CONTAINED WITHIN THE PROPOSAL. THEY SHALL BE PREPARED AND SEALED BY AN ILLINOIS LICENSED STRUCTURAL ENGINEER, FOR APPROVAL BY THE ENGINEER. NO WORK SHALL BEGIN UNTIL APPROVAL IS GIVEN IN WRITING THAT THE PROPOSED FOUNDATION DESIGN IS ACCEPTABLE.

BRANCH OF CHANEY CREEK
BUILT 200_ BY
HANCOCK COUNTY
SEC. 05-00108-00-BR
F.A. PROJ. RS-422 (108)
LOADING HS20
STR. NO. 034-3249



LETTERING FOR NAME PLATE
SEE STANDARD 515001



TOTAL BILL OF MATERIAL

CODE NUMBER	ITEM	UNIT	QUANTITY
20200200	ROCK EXCAVATION	CU YD	72
* 50100100	REMOVAL OF EXISTING STRUCTURES	EACH	1
50300225	CONCRETE STRUCTURES	CU YD	35.8
50800205	REINFORCEMENT BARS, EPOXY COATED	POUND	1,940
51500100	NAME PLATES	EACH	1
* XX003551	THREE SIDED PRECAST CONCRETE STRUCTURE	FOOT	34
* XX006199	STEEL BRIDGE RAIL, TYPE SM (SPECIAL)	FOOT	60
* X0323330	PRECAST CONCRETE SUBSTRUCTURE	L SUM	1

* SEE SPECIAL PROVISIONS

NOTE:
REINFORCEMENT BARS SHALL CONFORM TO THE REQUIREMENTS OF ASTM A706, GRADE 60.

WATERWAY INFORMATION

1.72 Sq. Mi. - Drainage Area
127 Sq. Ft. - Required Opening (20 yr. Flood)
127 Sq. Ft. - Provided Opening
93 Sq. Ft. - Present Opening
671 c.f.s. - Design Discharge
1.32 Ft. - Design Created Head
954 c.f.s. - 100 yr. Discharge
2.17 Ft. - 100 yr. Created Head

GENERAL PLAN & ELEVATION
SECTION 00-00108-00-BR
C.H. 24 (F.A.S. 422)
HANCOCK COUNTY
STA. 105+55 - STRUCTURE NO. 034-3249