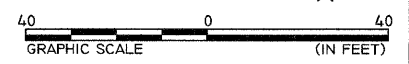
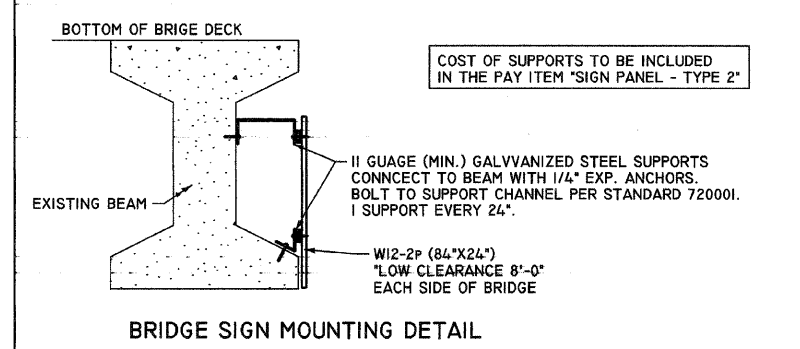
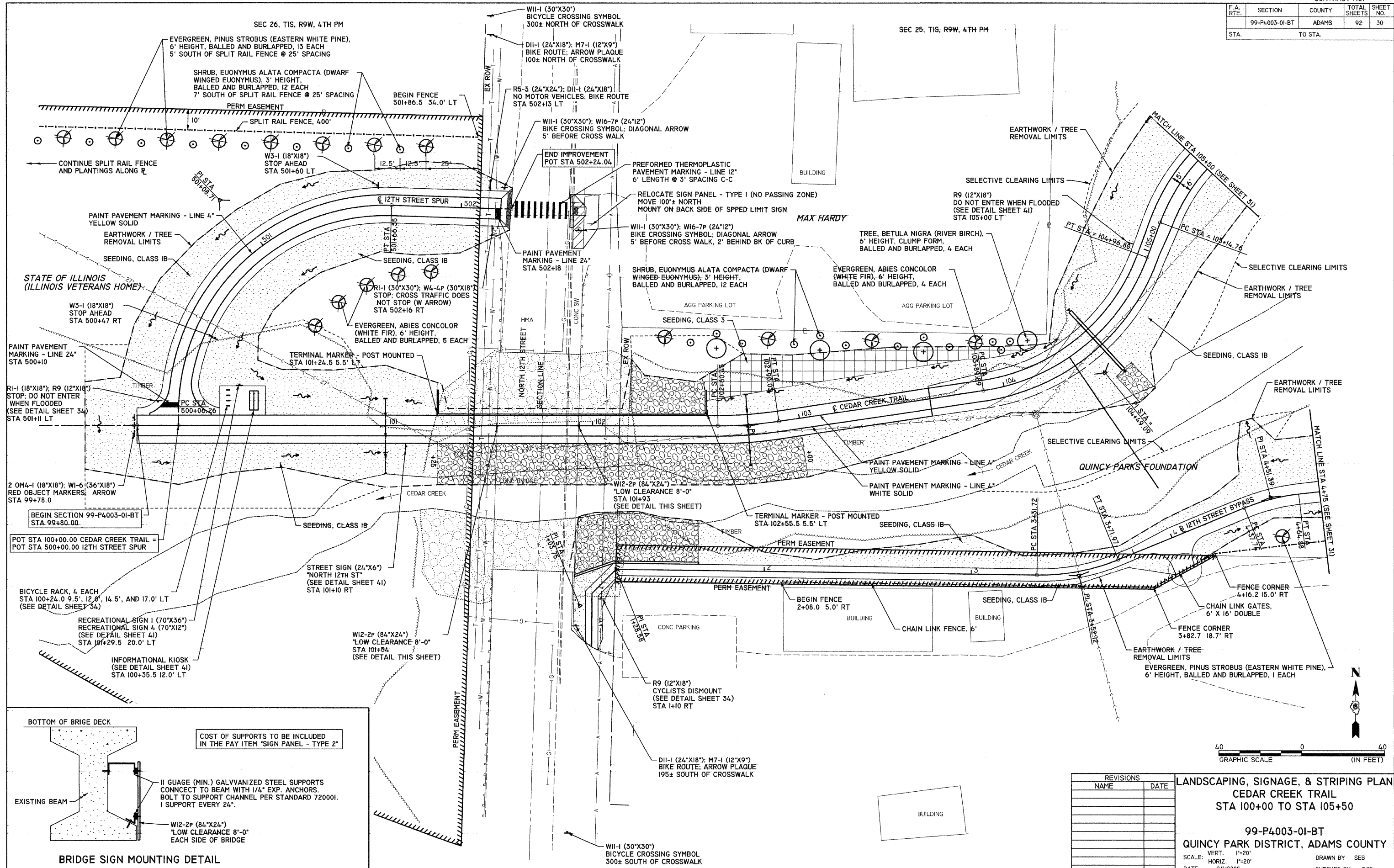


F.A. RTE.	SECTION	COUNTY	TOTAL SHEETS	SHEET NO.
	99-P4003-01-BT	ADAMS	92	30
STA.	TO STA.			



REVISIONS	
NAME	DATE

LANDSCAPING, SIGNAGE, & STRIPING PLAN
CEDAR CREEK TRAIL
STA 100+00 TO STA 105+50

99-P4003-01-BT
 QUINCY PARK DISTRICT, ADAMS COUNTY

SCALE: VERT. 1"=20'
 HORIZ. 1"=20'
 DATE 2/1/2008

DRAWN BY SEB
 CHECKED BY DCD

PLOT DATE = 2/1/2008
 FILE NAME = P:\99P4003\99P4003-01-BT\CONSTR\LANDSCAPING\99P4003-01-BT.DWG
 PLOT SCALE = 20,000.0 / 1.0
 USER NAME = JEB