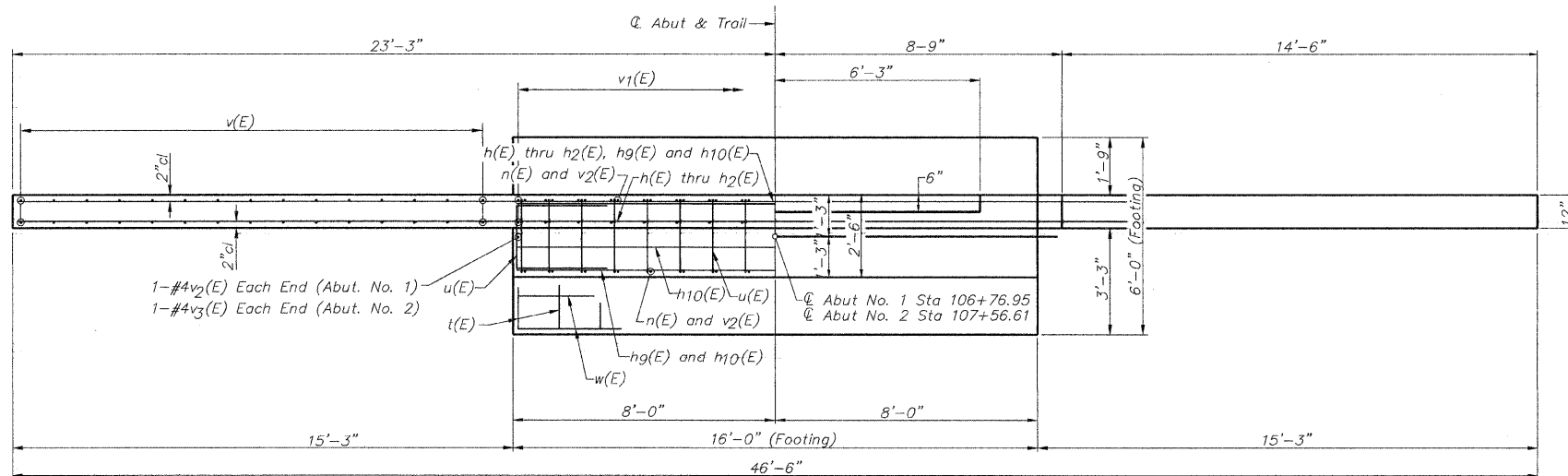
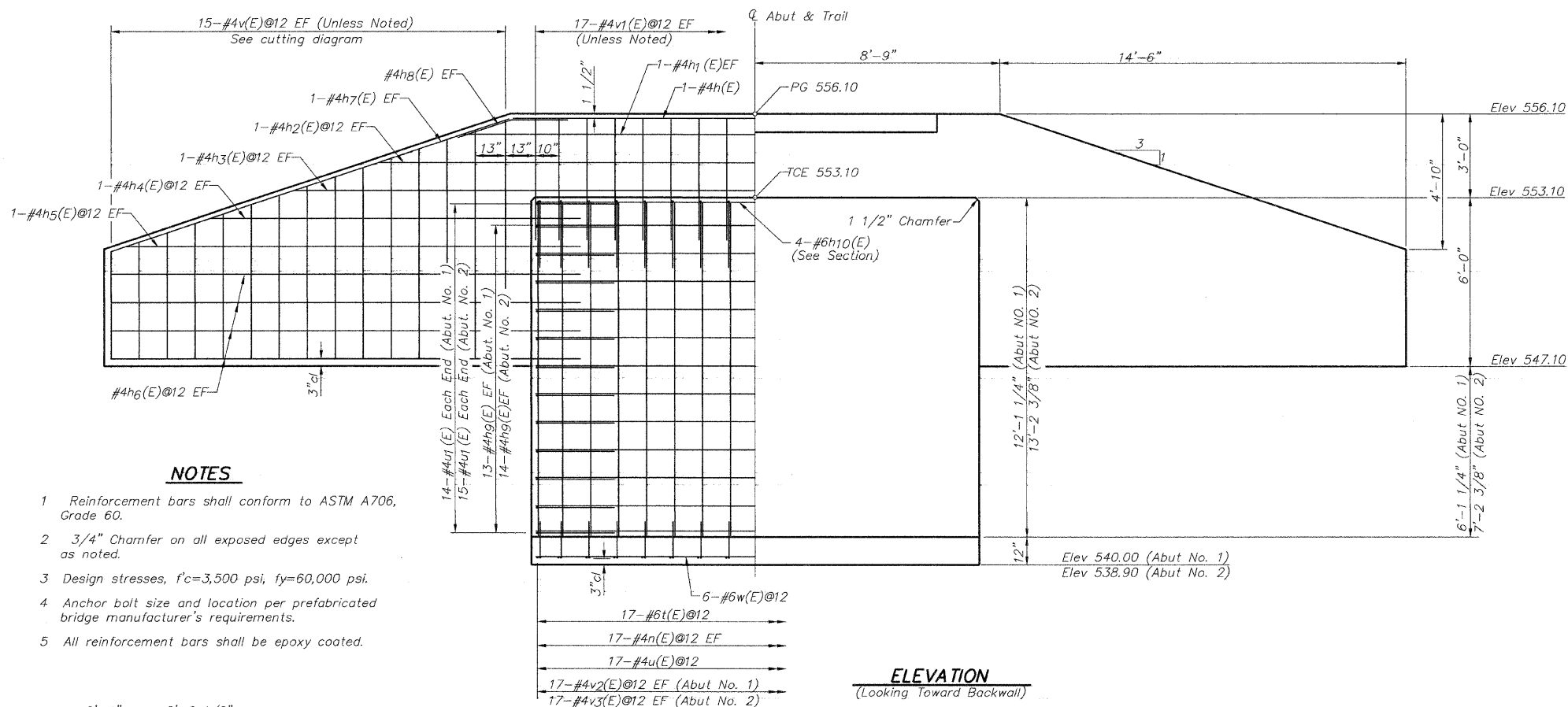


| | | | | |
|-----------------------|----------|-------------------|-------|-----------|
| SECTION | COUNTY | SHEET NO. | SHEET | SHEET NO. |
| 99-P4003-01-BT | ADAMS | 92 | 37 | 2 |
| FED. ROAD DIST. NO. 7 | ILLINOIS | FED. AID PROJECT- | | 2 SHEETS |



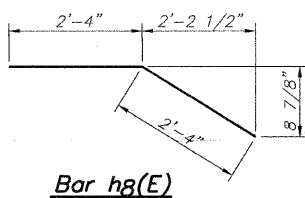
PLAN



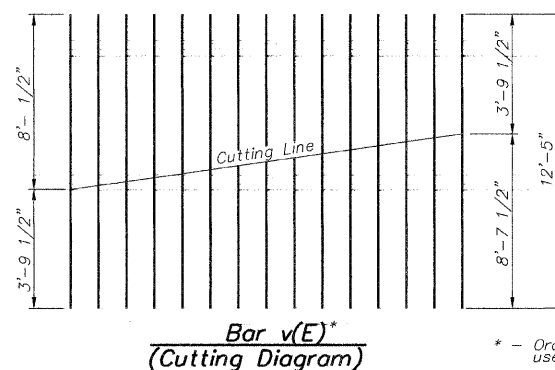
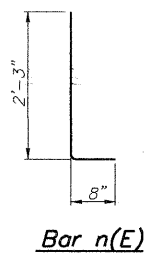
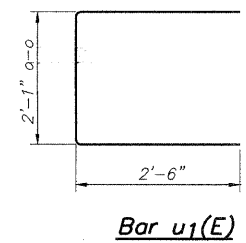
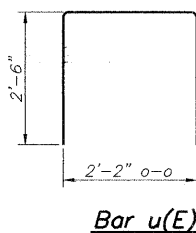
ELEVATION
(Looking Toward Backwall)

NOTES

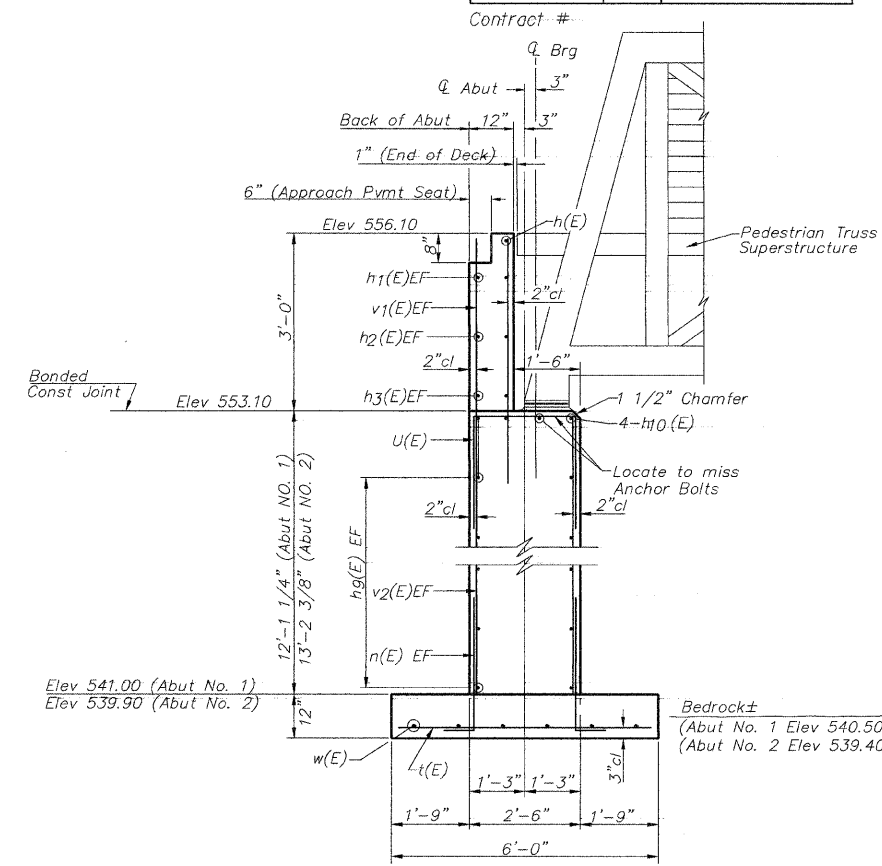
- 1 Reinforcement bars shall conform to ASTM A706, Grade 60.
- 2 3/4" Chamfer on all exposed edges except as noted.
- 3 Design stresses, $f'c=3,500$ psi, $f_y=60,000$ psi.
- 4 Anchor bolt size and location per prefabricated bridge manufacturer's requirements.
- 5 All reinforcement bars shall be epoxy coated.



| | |
|----------|-----|
| DESIGNED | RLW |
| CHECKED | SEB |
| DRAWN | RLW |
| CHECKED | |



* - Order "v(E)" bars full length, cut to fit, and use remainder of bars in opposite face.



SECTION THRU ABUT
(At Right Angles)

BILL OF MATERIAL-ABUT NO. 1

| Bar | No. | Size | Length | Shape |
|--|-------|------|---------|-------|
| h(E) | 1 | 4 | 17'-3" | — |
| h1(E) | 2 | 4 | 21'-0" | — |
| h2(E) | 2 | 4 | 27'-0" | — |
| h3(E) | 2 | 4 | 33'-0" | — |
| h4(E) | 4 | 4 | 13'-3" | — |
| h5(E) | 4 | 4 | 16'-3" | — |
| h6(E) | 16 | 4 | 16'-9" | — |
| h7(E) | 4 | 4 | 15'-0" | — |
| h8(E) | 4 | 4 | 4'-8" | — |
| h9(E) | 26 | 4 | 15'-8" | — |
| h10(E) | 4 | 6 | 15'-8" | — |
| n(E) | 34 | 4 | 2'-11" | L |
| t(E) | 17 | 6 | 5'-8" | — |
| u(E) | 17 | 4 | 7'-2" | □ |
| u1(E) | 28 | 4 | 7'-1" | □ |
| v(E) | 30 | 4 | 12'-5" | — |
| v1(E) | 34 | 4 | 8'-6" | — |
| v2(E) | 36 | 4 | 11'-11" | — |
| w(E) | 6 | 6 | 15'-8" | — |
| Reinforcement Bars, Epoxy Coated | Pound | 2090 | | |
| Concrete Structures | Cu Yd | 30.8 | | |
| Rock Excavation for Structures | Cu Yd | 1.8 | | |
| Underwater Structure Excavation Protect.-Loc 1 | Each | 1 | | |

BILL OF MATERIAL-ABUT NO. 2

| Bar | No. | Size | Length | Shape |
|--|-------|------|--------|-------|
| h(E) | 1 | 4 | 17'-3" | — |
| h1(E) | 2 | 4 | 21'-0" | — |
| h2(E) | 2 | 4 | 27'-0" | — |
| h3(E) | 2 | 4 | 33'-0" | — |
| h4(E) | 4 | 4 | 13'-3" | — |
| h5(E) | 4 | 4 | 16'-3" | — |
| h6(E) | 16 | 4 | 16'-9" | — |
| h7(E) | 4 | 4 | 15'-0" | — |
| h8(E) | 4 | 4 | 4'-8" | — |
| h9(E) | 28 | 4 | 15'-8" | — |
| h10(E) | 4 | 6 | 15'-8" | — |
| n(E) | 34 | 4 | 2'-11" | L |
| t(E) | 17 | 6 | 5'-8" | — |
| u(E) | 17 | 4 | 7'-2" | □ |
| u1(E) | 30 | 4 | 7'-1" | □ |
| v(E) | 30 | 4 | 12'-5" | — |
| v1(E) | 34 | 4 | 8'-6" | — |
| v3(E) | 36 | 4 | 13'-1" | — |
| w(E) | 6 | 6 | 15'-8" | — |
| Reinforcement Bars, Epoxy Coated | Pound | 2150 | | |
| Concrete Structures | Cu Yd | 32.5 | | |
| Rock Excavation for Structures | Cu Yd | 1.8 | | |
| Underwater Structure Excavation Protect.-Loc 1 | Each | 1 | | |

PLAN AND ELEVATION
CEDAR CREEK LINEAR PARK OVER CEDAR CREEK
SECTION 99-P4003-01-BT
ADAMS COUNTY
STRUCTURE NUMBER 001-7004
STATION 107+16.78

PLOT DATE = 2/1/2008
 FILE NAME = F:\V\FLEES\951019\50113\CONSTR_P\ANS\037\BRB-94301\13.DWG
 PLOT SCALE = 1/8" = 1'-0"
 USER NAME = SEB