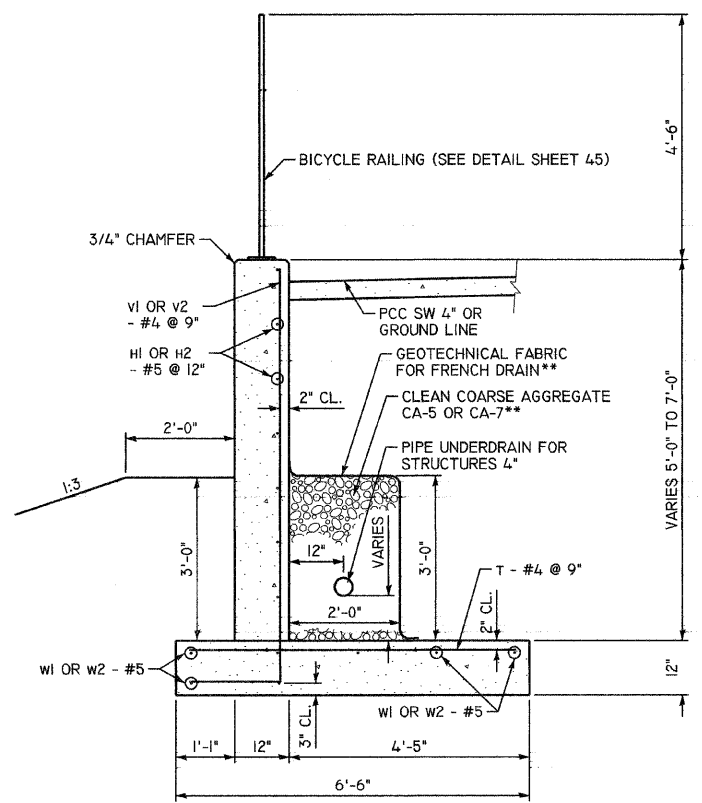
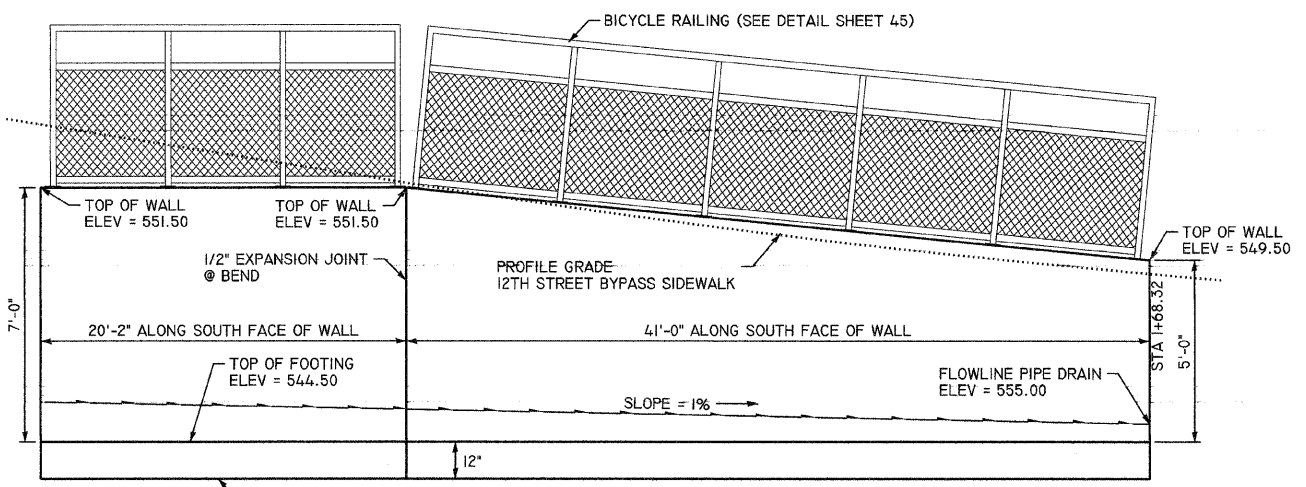
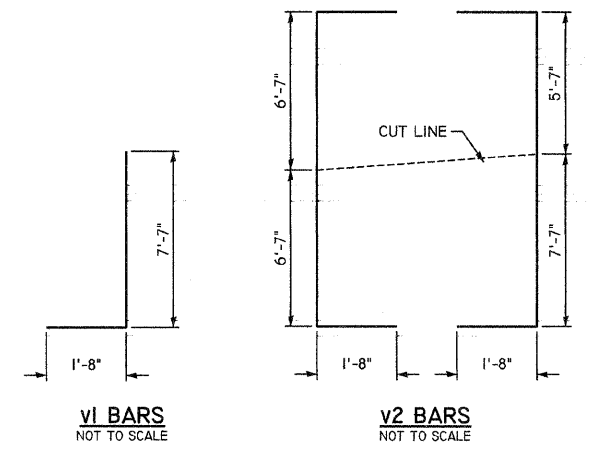
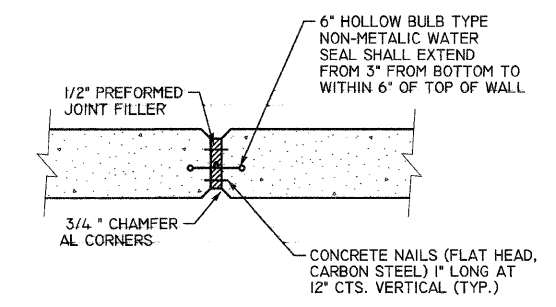
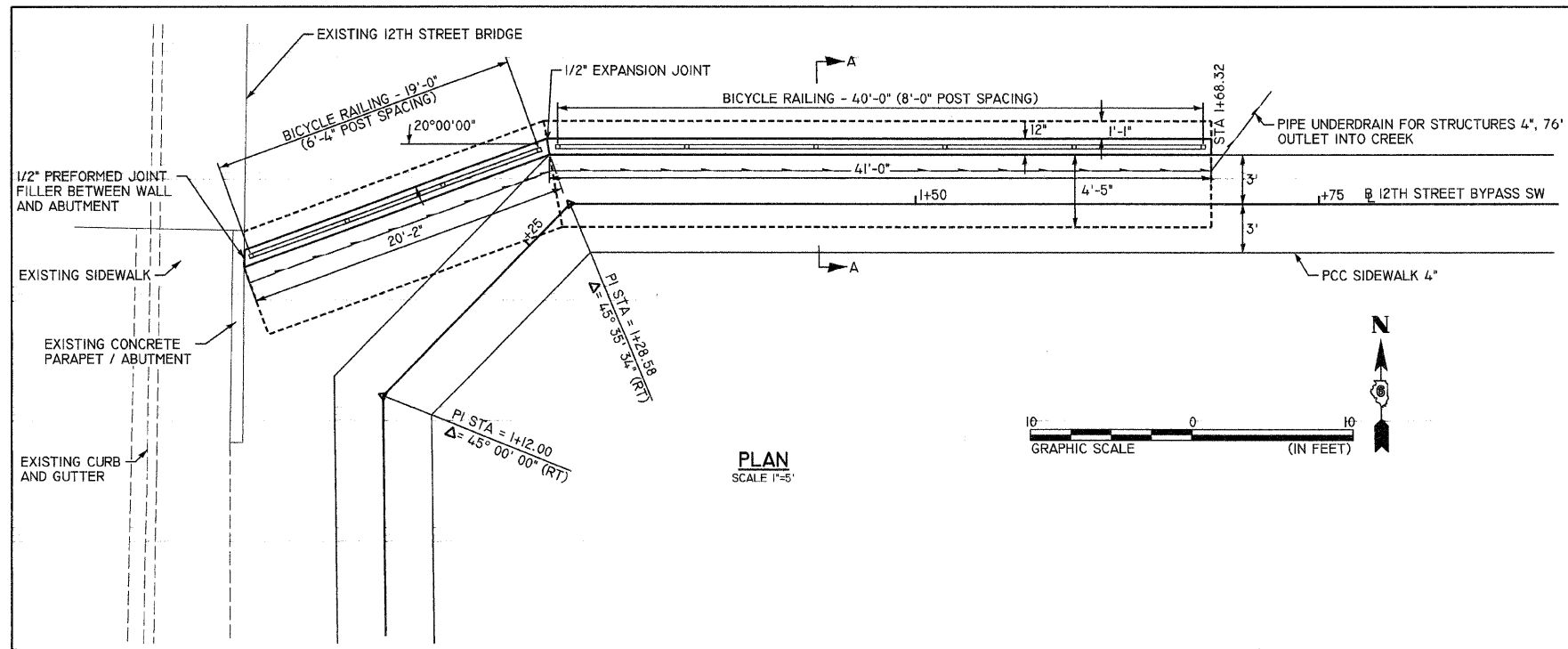


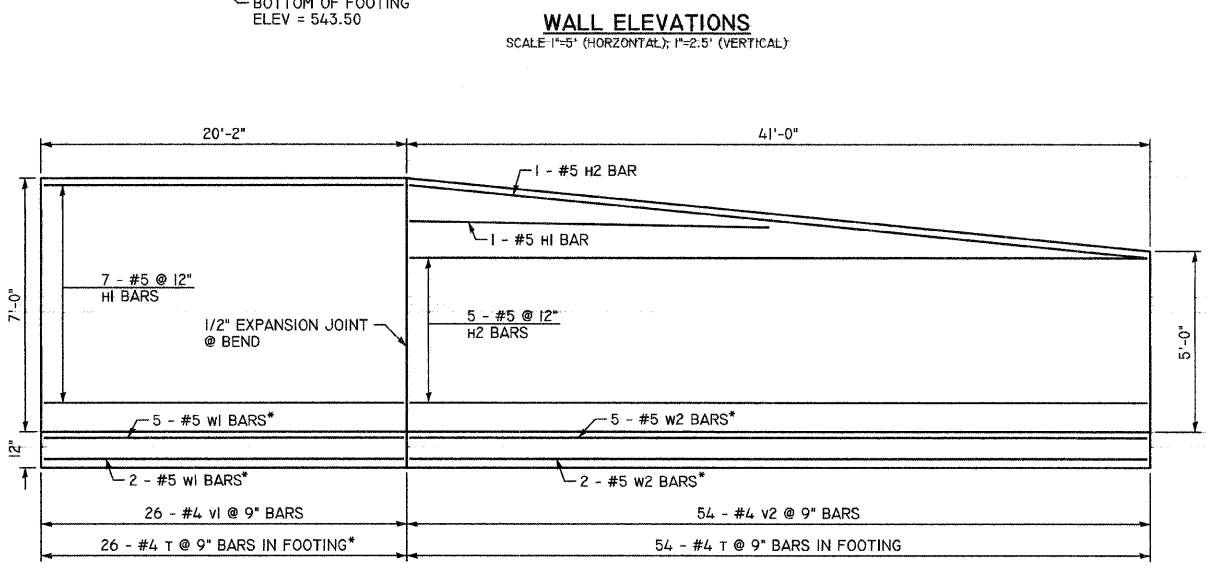
| F.A. RTE. | SECTION | COUNTY | TOTAL SHEETS | SHEET NO. |
|-----------|----------------|--------|--------------|-----------|
| | 99-P4003-01-BT | ADAMS | 92 | 44 |
| STA. | TO STA. | | | |



- GENERAL NOTES**
- 1) REINFORCEMENT BARS SHALL CONFORM TO THE REQUIREMENTS OF ASTM A706 GRADE 60.
 - 2) ALL REINFORCEMENT BARS SHALL BE EPOXY COATED EXCEPT AS NOTED.
 - 3) ALL EXPOSED CONCRETE EDGES SHALL BE CHAMFERED 3/4" EXCEPT AS NOTED.

BILL OF MATERIALS

| BAR | NO. | SIZE | LENGTH (FT) | SHAPE |
|----------------------------------|-------|----------|-------------|-------|
| H1 | 8 | #5 | 19'-9" | — |
| H2 | 6 | #5 | 40'-8" | — |
| V1 | 26 | #4 | 9'-3" | ┌ |
| V2 | 27 | #4 | 16'-6" | ┌ |
| T | 80 | #4 | 6'-0" | — |
| W1 | 7 | #5 | 19'-9" | — |
| W2 | 7 | #5 | 41'-0" | — |
| ITEM | UNIT | QUANTITY | | |
| CONCRETE STRUCTURES | CU YD | 28.9 | | |
| REINFORCEMENT BARS, EPOXY COATED | POUND | 1477 | | |



** - COARSE AGGREGATE AND GEOTECHNICAL FABRIC SHALL BE INCLUDED IN THE COST OF THE PAY ITEM "PIPE UNDERDRAINS FOR STRUCTURES 4"

REVISIONS

| NAME | DATE |
|------|------|
| | |
| | |
| | |
| | |
| | |

MISCELLANEOUS DETAILS
CONCRETE STRUCTURE #2
12TH STREET BYPASS RETAINING WALL

99-P4003-01-BT
QUINCY PARK DISTRICT, ADAMS COUNTY

SCALE: VERT. 1"=10'
HORIZ. 1"=10'
DATE 2/1/2008
DRAWN BY SEB
CHECKED BY DCD

PLOT DATE = 2/1/2008
FILE NAME = P:\99\FILES\990301\990301\CONSTR_PLANS\WALL\CDL_04.dwg
PLOT SCALE = 5,0000 / 1 IN.
USER NAME =