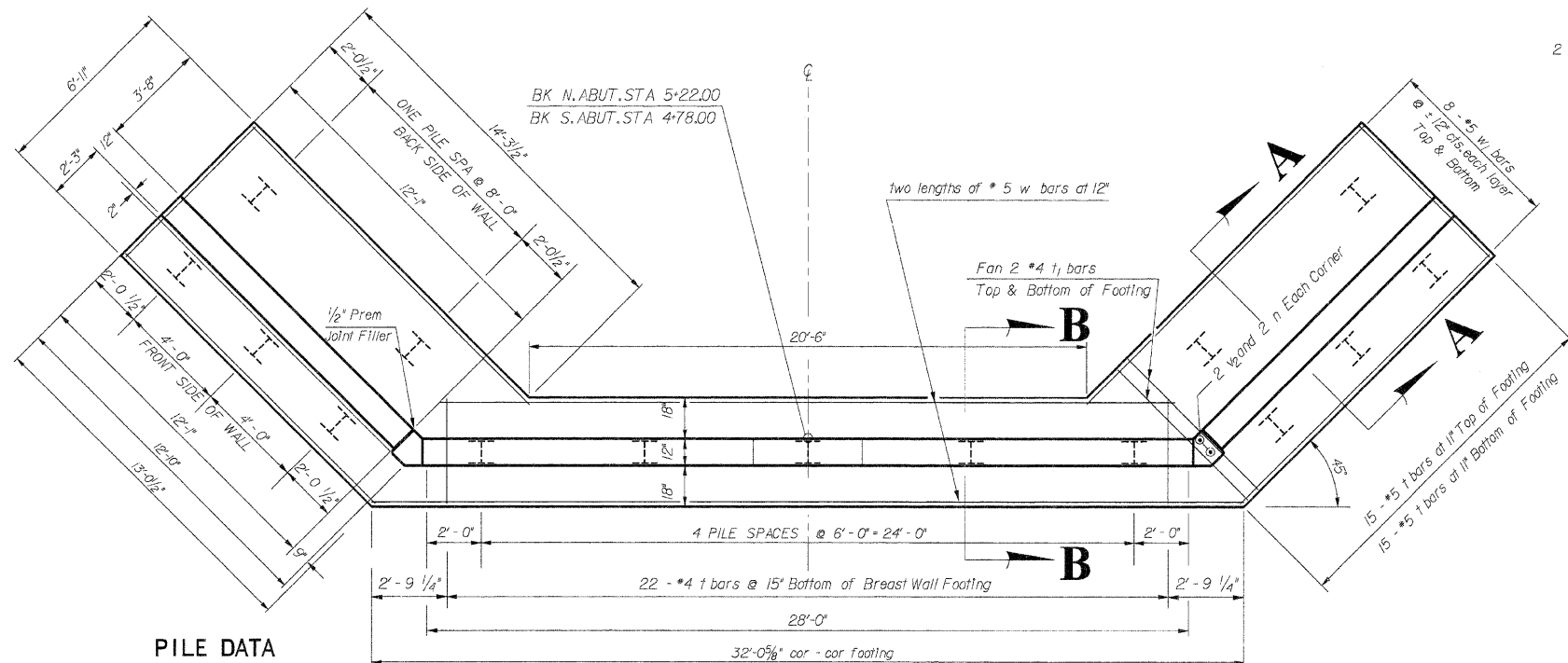


REINFORCEMENT BACK FACE

REINFORCEMENT FRONT FACE

ELEVATION



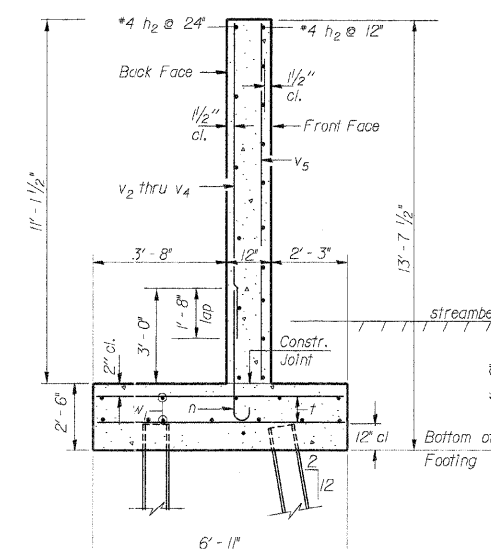
PILE DATA

PLAN

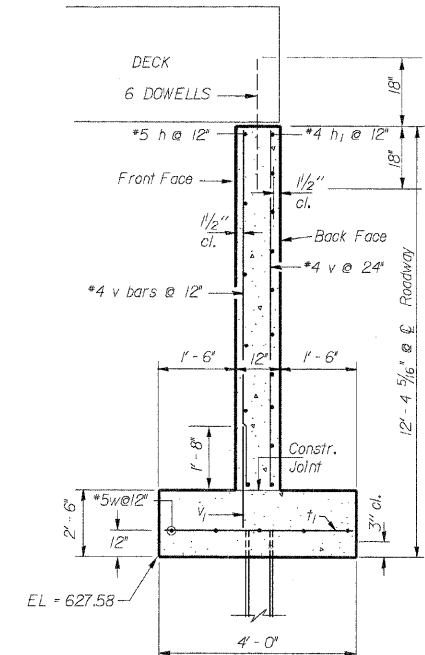
SHOWING REINFORCEMENT IN FOOTING

TYPE	HP 10 X 42
NO. REQUIRED	30 *
ALLOWABLE RESISTANCE AVAILABLE	112 KIPS/PILE
NOMINAL REQUIRED BEARING	335 KIPS/PILE
EST. LENGTH	48'/PILE NORTH & SOUTH ABUTMENT

NOTES: STEEL H-PILES SHALL BE ACCORDING TO AASHTO M270 GRADE 50
 THE TEST PILE SHALL BE DRIVEN TO 110 PERCENT OF THE NOMINAL REQUIRED BEARING INDICATED IN THE PILE DATA INFORMATION.
 * INCLUDES ONE TEST PILE TO BE DRIVEN IN A PERMANENT LOCATION IN THE NORTH ABUTMENT.



SECTION A-A
THROUGH WINGWALLS



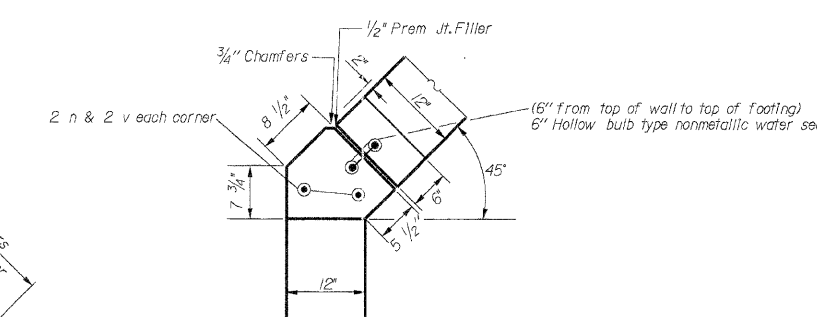
SECTION B-B
THROUGH BREASTWALL

NOTE: DO NOT BACKFILL BEHIND BREASTWALL UNTIL DECK IS SET & DOWELLED IN PLACE

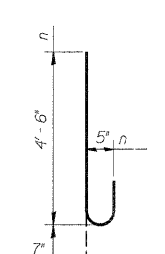
BILL OF MATERIAL

TWO ABUTMENTS

Bar	No.	Size	Length	Shape
a1				
a2				
d				
h	20	#5	27'-8"	▬
h1	20	#4	27'-8"	▬
h2	64	#4	11'-9"	▬
h3				▬
h4				▬
n	22	#5	5'-1"	┌
v	88	#4	9'-2"	▬
v1	58	#4	3'-1"	▬
v2	32	#4	9'-0"	▬
v3	20	#4	7'-3"	▬
v4	16	#4	5'-9"	▬
v5	16	#4	10'-11"	▬
t	120	#5	6'-8"	▬
t1	52	#5	3'-9"	▬
w	20	#5	16'-6"	▬
w1	64	#5	13'-0"	▬
Concrete Structures		Cu.Yd.	92.6	
Reinforcement Bars		Pound	4950	
Furn. Steel Piles HPIOX42		Foot	1392	
Driving Piles		Foot	1392	
Test Pile, Steel HP 10x42		Each	1	
Cofferdam Excavation		Cu.Yd.	817	



CORNER DETAIL



BAR n

ABUTMENT DETAILS		McCLINTOCK CIVIL ENGINEERING SERVICE 404 SHAW AVENUE, PARIS, IL 61944 PHONE (217) 466-6110	
SECTION 06-03123-00-BR EAST OAKLAND TOWNSHIP COLES COUNTY	DRN SDE DATE 4/09/07 REV. 12/10/07 SCALE N/A APPR. RLWG	DATE 4/09/07 SCALE N/A	SHEET 6 OF 13 JOB NO. 3137-729-06