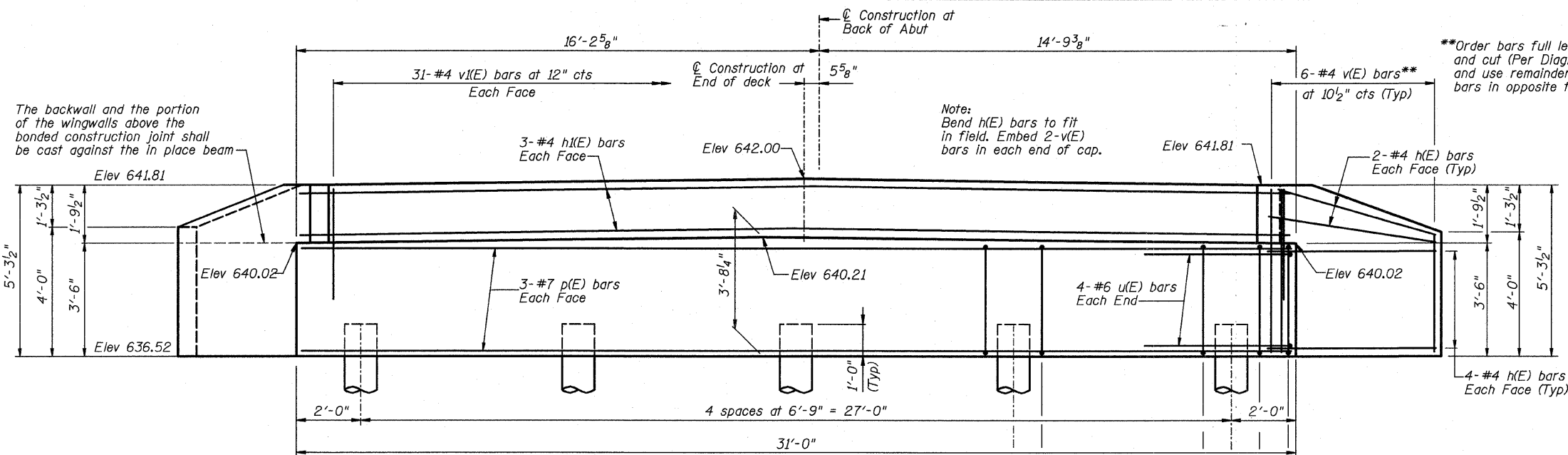


ROUTE NO.	SECTION	COUNTY	TOTAL SHEETS	SHEET NO.
TR 23	*	MACON	22	9
FED. ROAD DIST. NO.		ILLINOIS	PROJECT	
05-04163-00-BR				



The backwall and the portion of the wingwalls above the bonded construction joint shall be cast against the in place beam

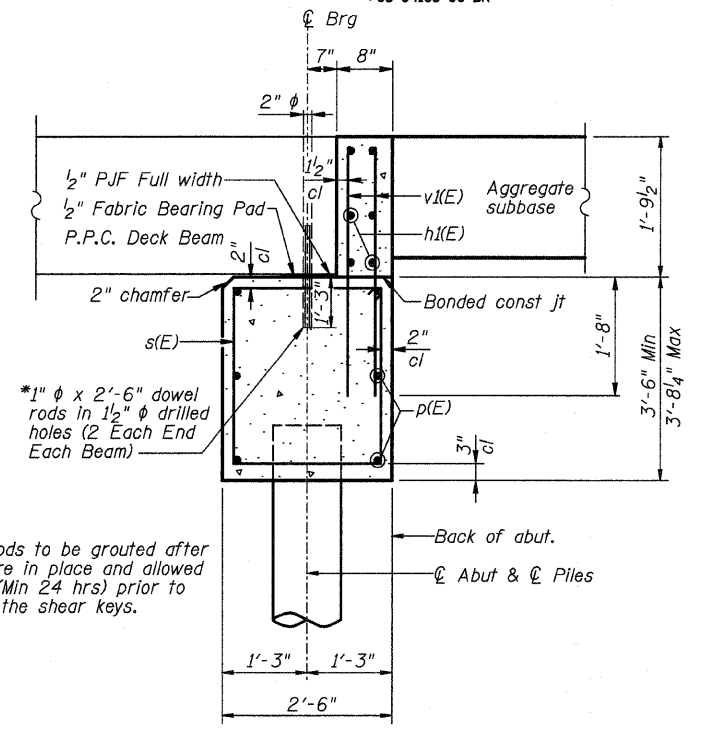
Note: Bend h(E) bars to fit in field. Embed 2-v(E) bars in each end of cap.

**Order bars full length and cut (Per Diagram) and use remainder of bars in opposite face

PILE DATA:

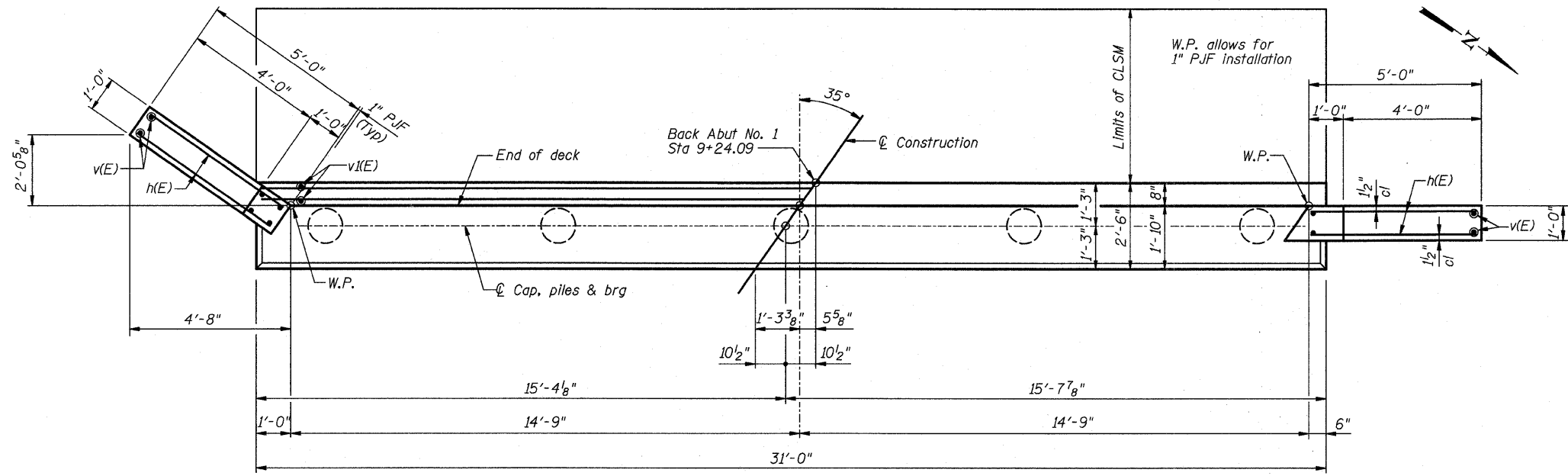
Type and Size: Metal Shell 14 in dia x 0.25 in walls
Nominal Required Bearing: 240 kips
Allowable Resistance Available: 80 kips
Est. Length: 30'
No. Production Piles: 5
No. Test Piles: 0

ELEVATION



*Dowel Rods to be grouted after beams are in place and allowed to cure (Min 24 hrs) prior to grouting the shear keys.

SECTION THRU ABUTMENT
(Dimensions at Rt L's)

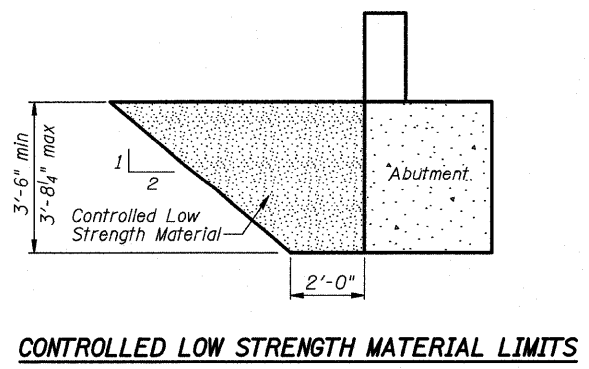


PLAN

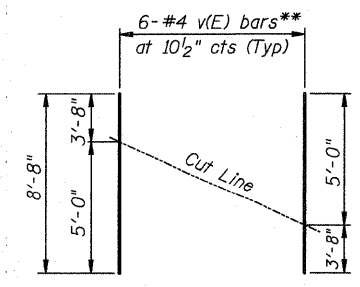
BILL OF MATERIAL

Bar	No.	Size	Length	Shape
h(E)	24	#4	5'-1"	—
h(E)	6	#4	30'-8"	—
p(E)	6	#7	30'-8"	—
s(E)	26	#4	11'-3"	□
u(E)	8	#6	11'-1"	□
v(E)	12	#4	8'-8"	—
v(E)	62	#4	3'-4"	—
Structure Excavation	Cu Yd	35		
Concrete Structures	Cu Yd	12.5		
Reinforcement Bars (Epoxy Coated)	Pound	1115		
Furnishing Metal Pile Shells 14"	Foot	150		
Driving Piles	Foot	150		
Controlled Low Strength Material	Cu Yd	24		

Reinforcement bars designated (E) shall be epoxy coated.



CONTROLLED LOW STRENGTH MATERIAL LIMITS



FIELD CUTTING DIAGRAM

**Order v(E) full length. Cut as shown and use remainder of bars in opposite face.

ABUTMENT NO. 1 DETAILS

REVISIONS	SECTION 05-04163-00-BR	FRIENDS CREEK ROAD DISTRICT	DRAWN BY DATE
No. DATE INITIALS	MACON	SN 058-3383	R. KING 11/07
1		COUNTY	CHECKED BY DATE
2			JMB 11/07
3			BOOK NUMBER
4			314
5			PROJECT No.
6			5129
7			SHEET No.
8			
9			
10			

HOMER L. CHASTAIN & ASSOCIATES, LLP
CONSULTING ENGINEERS
184-00187

DECATUR CHICAGO
(317) 422-8844 (773) 714-0080

ROCKFORD
(815) 489-0080