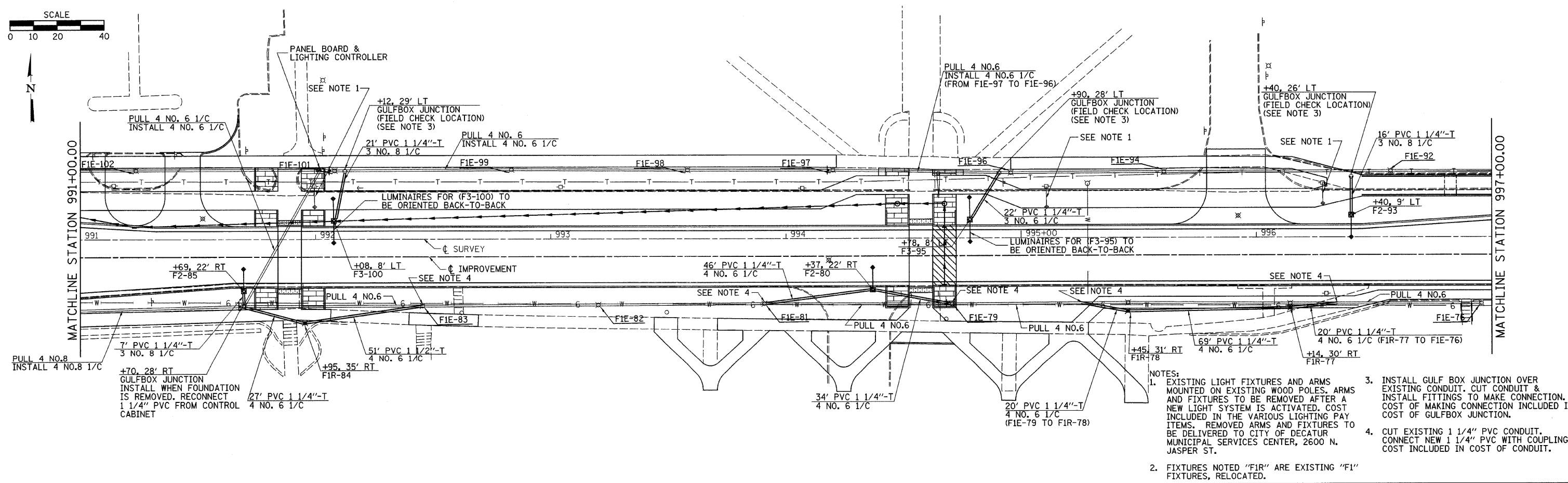
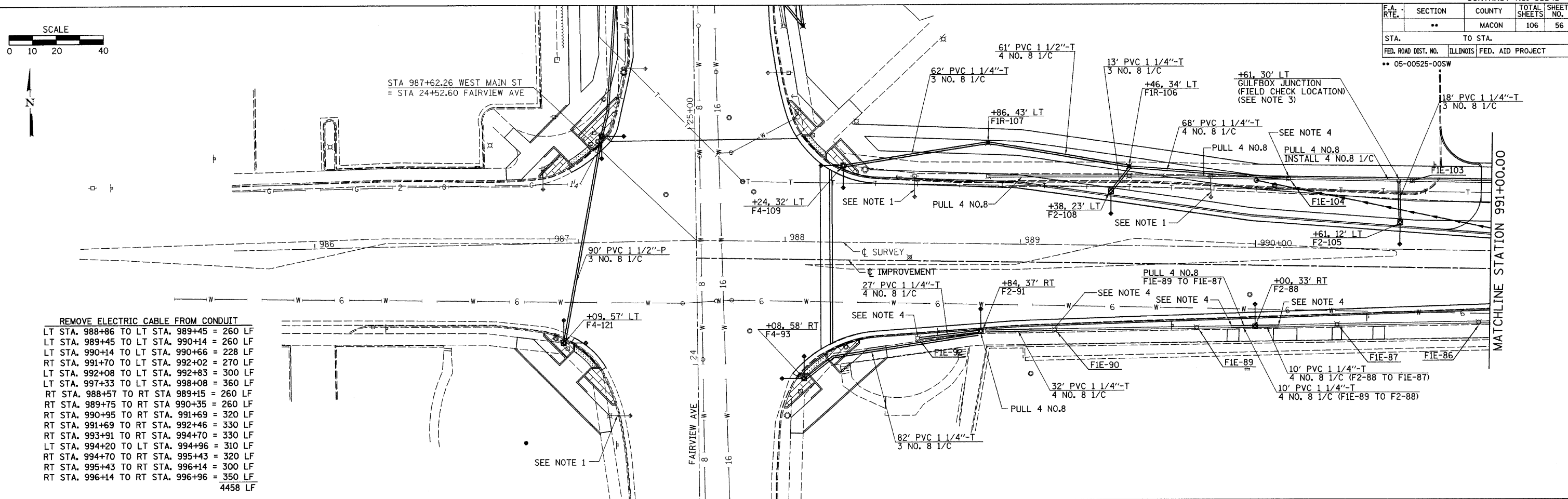


F.A. RTE.	SECTION	COUNTY	TOTAL SHEETS	SHEET NO.
..	..	MACON	106	56
STA.	TO STA.			
FED. ROAD DIST. NO.	ILLINOIS	FED. AID PROJECT		
.. 05-00525-005W				



PLOT DATE = 2/25/2008
FILE NAME = P:\Users\jg5\Drawings\Misc\Plans\Lighting.dgn
USER = jg5
PLOT DATE = 2/25/2008