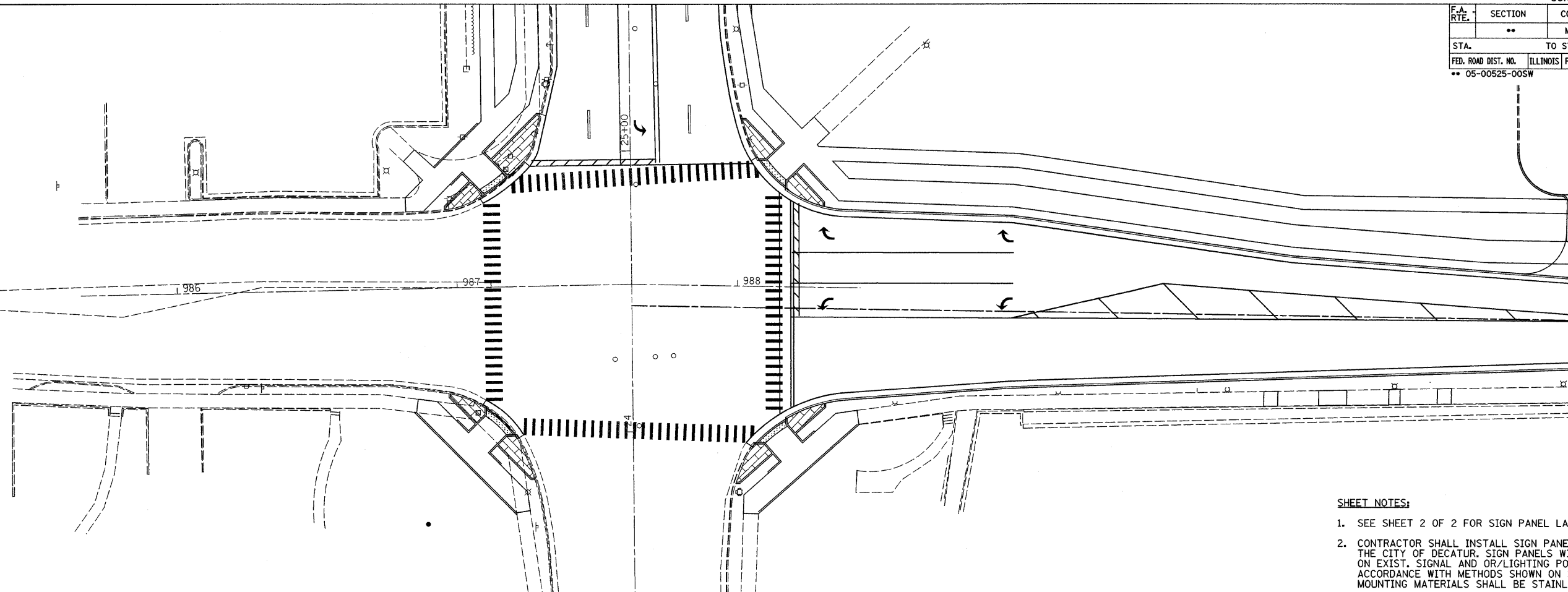


F.A. RTE.	SECTION	COUNTY	TOTAL SHEETS	SHEET NO.
**	**	MACON	106	74
STA. TO STA.				
FED. ROAD DIST. NO.	ILLINOIS	FED. AID PROJECT		
** 05-00525-00SW				

MATCHLINE STATION 985+65.72 Ext. -65.72

MATCHLINE STATION 991+00.00

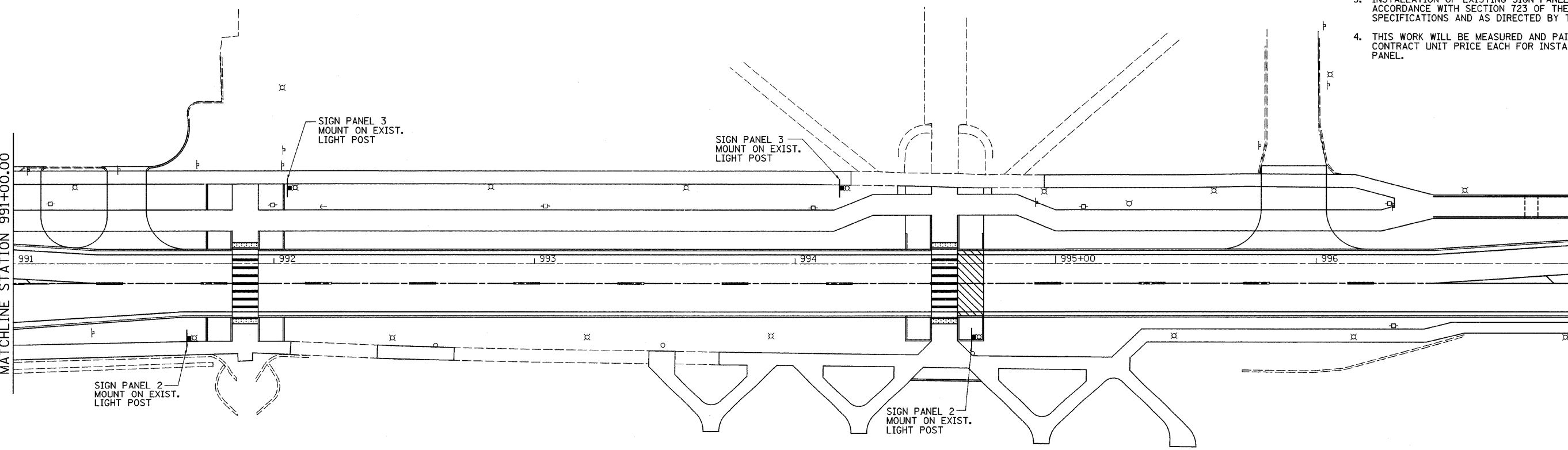


SHEET NOTES:

1. SEE SHEET 2 OF 2 FOR SIGN PANEL LAYOUT.
2. CONTRACTOR SHALL INSTALL SIGN PANELS PROVIDED BY THE CITY OF DECATUR. SIGN PANELS WILL BE INSTALLED ON EXIST. SIGNAL AND OR/LIGHTING POST IN ACCORDANCE WITH METHODS SHOWN ON STANDARD 720001. MOUNTING MATERIALS SHALL BE STAINLESS STEEL.
3. INSTALLATION OF EXISTING SIGN PANELS SHALL BE IN ACCORDANCE WITH SECTION 723 OF THE STANDARD SPECIFICATIONS AND AS DIRECTED BY THE ENGINEER.
4. THIS WORK WILL BE MEASURED AND PAID FOR AT THE CONTRACT UNIT PRICE EACH FOR INSTALL EXISTING SIGN PANEL.

MATCHLINE STATION 991+00.00

MATCHLINE STATION 997+00.00



PLOT DATE = 2/26/2009
 USER = jacob@blankweslinkcook.com
 USER NAME = jacob