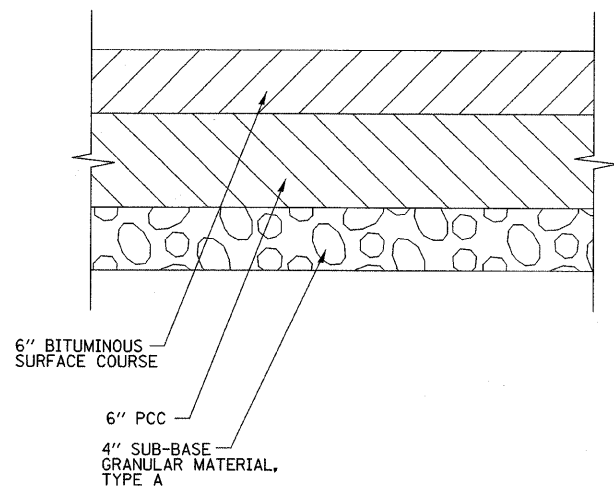


F.A. RTE.	SECTION	COUNTY	TOTAL SHEETS	SHEET NO.
**	**	MACON	106	76

STA. TO STA.

FED. ROAD DIST. NO. ILLINOIS FED. AID PROJECT

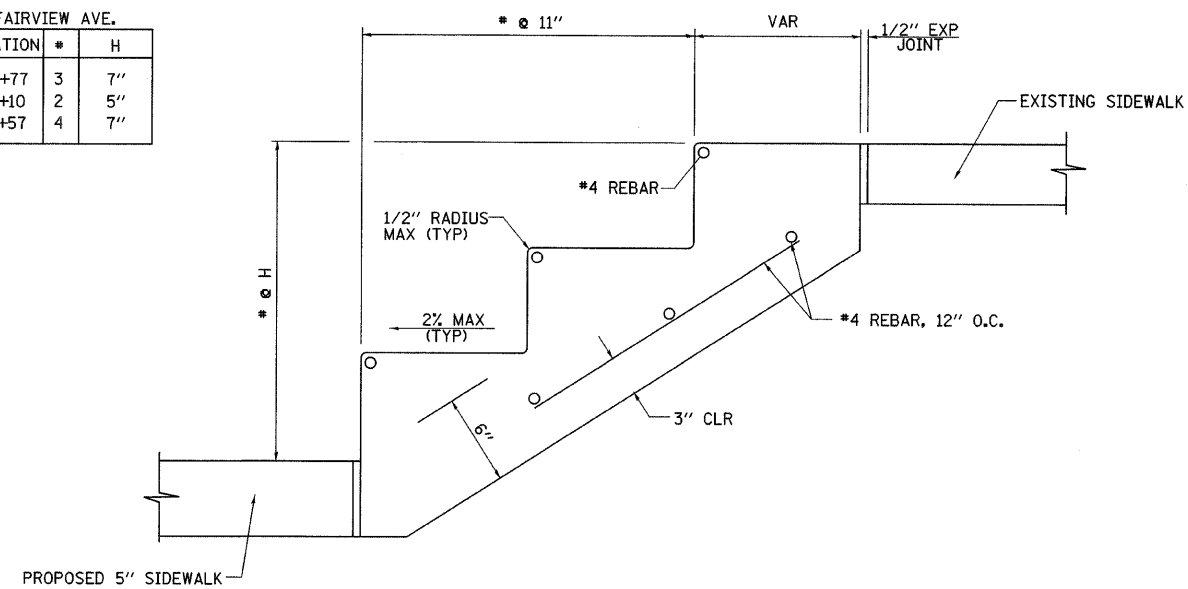
** 05-00525-00SW



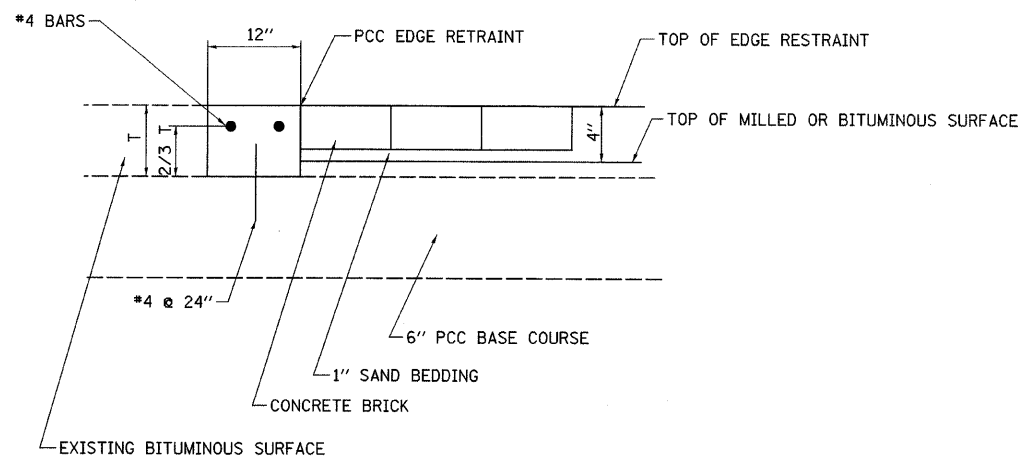
PAVEMENT REPLACEMENT DETAIL

FAIRVIEW AVE.

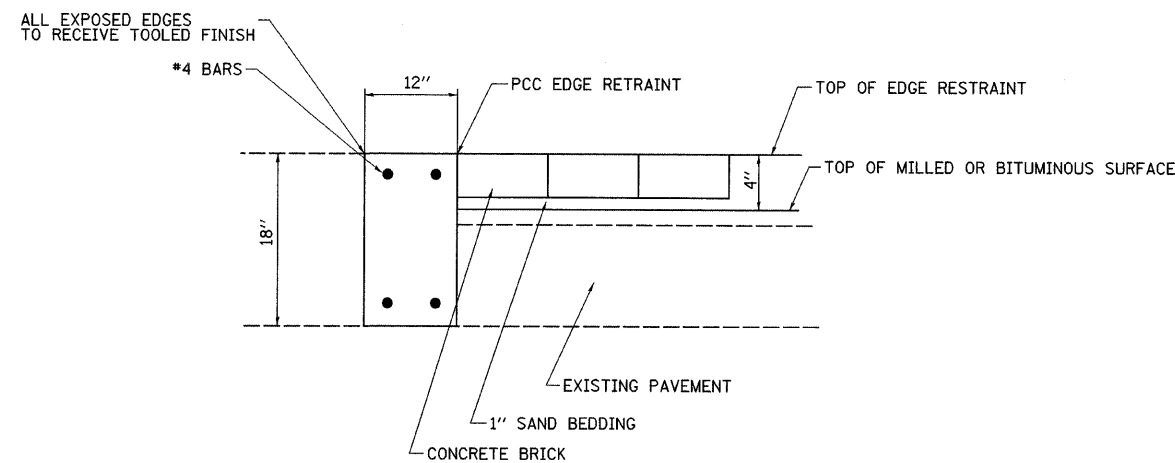
STATION	#	H
30+77	3	7"
31+10	2	5"
31+57	4	7"



EXTERIOR STAIR DETAIL



CONCRETE CURB (SPECIAL)
EDGE RESTRAINT DETAIL
WITH PCC BASE COURSE



CONCRETE CURB (SPECIAL)
EDGE RESTRAINT DETAIL
WITHOUT PCC BASE COURSE

REV. NO.	DESCRIPTION	BY	DATE	APPROVED
MISCELLANEOUS DETAILS				
DESIGN BWC	WEST MAIN STREET IMPROVEMENTS CITY OF DECATUR	SCALE		
DATE		BWC PROJECT NO.		
DRAWN RJC		009-0602		
CHECKED		DATE		
DATE		1/08		
APPROVED	SHEET			1 OF 2
DATE	ARCHITECTS ENGINEERS			
CLIENT	BLANK, WESSELINK, COOK & ASSOCIATES, INC.			
DATE	2623 EAST PERSHING ROAD DECATUR, IL 62524 (217) 428-0973 FAX (217) 428-8934			