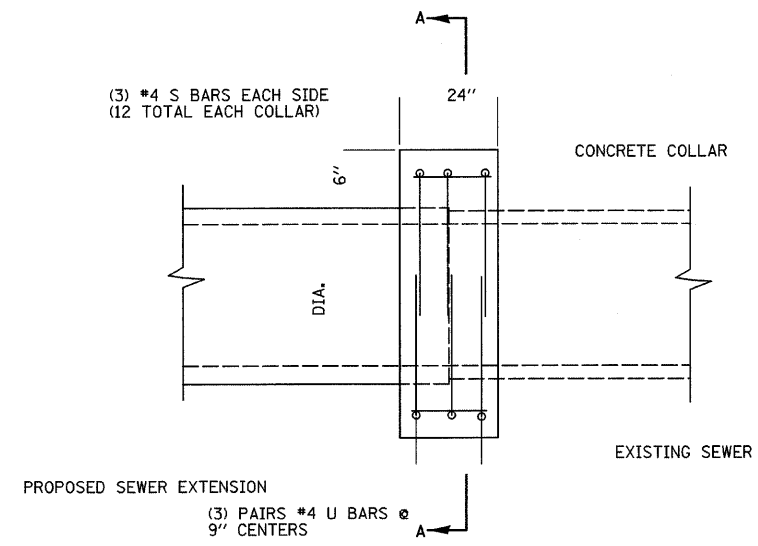
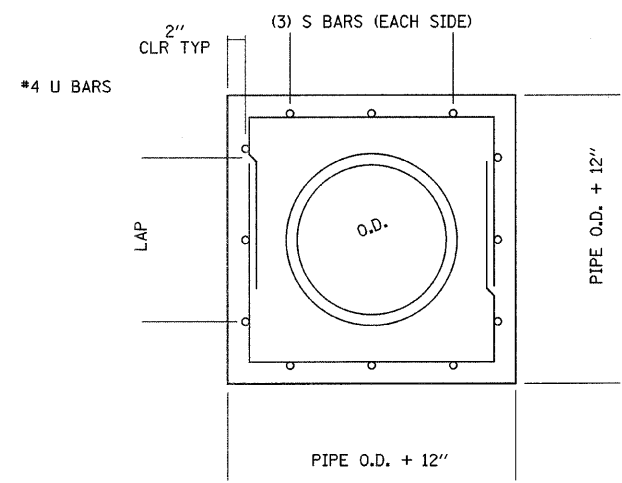


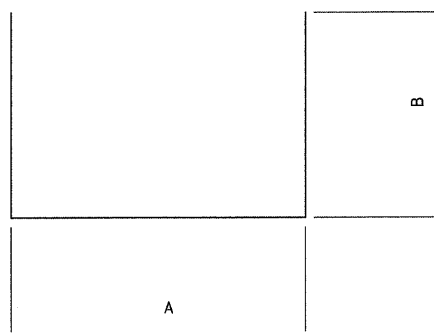
F.A. RTE.	SECTION	COUNTY	TOTAL SHEETS	SHEET NO.
	**	MACON	106	77
STA.		TO STA.		
FED. ROAD DIST. NO.	ILLINOIS	FED. AID PROJECT		
** 05-00525-00SW				



ELEVATION



SECTION A-A



U BAR

REINFORCED CONCRETE PIPE EXTENSION COLLAR SCHEDULE*									
PIPE DIAMETER	S BARS		U BARS DIMENSIONS					REINFORCING BARS	CONCRETE COLLAR
	NUMBER BARS	LENGTH (INCHES)	NUMBER BARS	A (INCHES)	B (INCHES)	LAP (INCHES)	A+2B LENGTH (INCHES)	POUND	CU YD
12"	12	20	6	23	19	15	61	34	0.3

* THE COST OF CONCRETE COLLAR IS TO BE INCLUDED IN THE COST OF REMOVING INLETS TO MAINTAIN FLOW.

REV. NO.	DESCRIPTION	BY	DATE	APPROVED
CONCRETE COLLAR DETAILS				
DESIGN BWC	WEST MAIN STREET IMPROVEMENTS CITY OF DECATUR	SCALE		
DATE		BWC PROJECT NO.		
DRAWN RJC		009-0605		
DATE		DATE		
CHECKED	1/08			
DATE	APPROVED			
DATE	BWC BLANK, WESSELINK, COOK & ASSOCIATES, INC.			
CLIENT APPR.	ARCHITECTS ENGINEERS			
DATE	2623 EAST PERSHING ROAD DECATUR, IL 62524 12171 428-0973 FAX 1217428-8934			
				SHEET 2 OF 2