



**✑ CORPORATE OFFICE**  
4940 OLD COLLINSVILLE RD.  
SWANSEA, ILLINOIS 62226  
TEL (618) 624-4488  
FAX (618) 624-6688  
corp@twm-inc.com

**□ WATERLOO OFFICE**  
113 SOUTH MAIN STREET  
WATERLOO, ILLINOIS 62298  
TEL (618) 939-5050  
FAX (618) 939-3938  
waterloo@twm-inc.com

**□ ST. LOUIS OFFICE**  
1001 CRAIG ROAD, SUITE 260  
ST. LOUIS, MISSOURI 63146  
TEL (314) 236-5052  
FAX (314) 872-2194  
stlouis@twm-inc.com

PROFESSIONAL REGISTRATIONS	LICENSE NO.
ILLINOIS PROFESSIONAL DESIGN FIRM	184-001220
PROFESSIONAL ENGINEERING CORP.	62-05370
PROFESSIONAL STRUCTURAL ENGR. CORP.	81-005202
ILLINOIS PROF. LAND SURVEYING CORP.	048-000029
MISSOURI PROFESSIONAL ENGR. CORP.	NC 001528
MISSOURI LAND SURVEYING CORP.	NC 000346

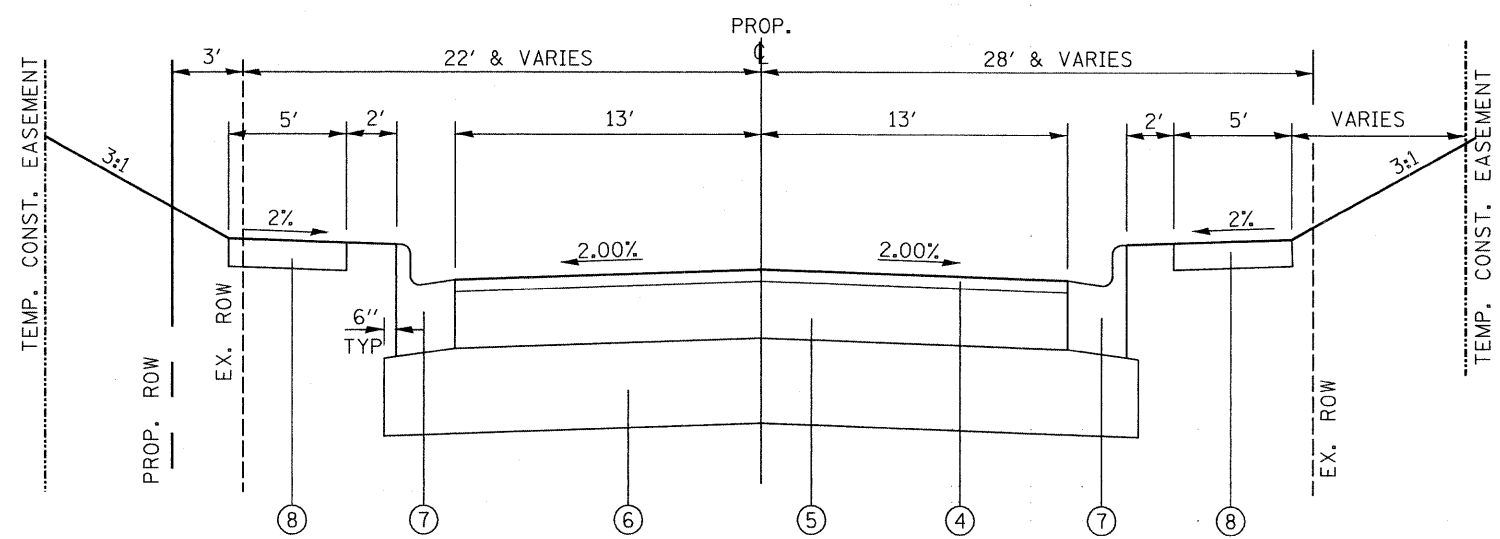
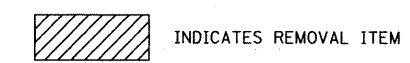
SEAL

Signature: \_\_\_\_\_  
Signature Date: \_\_\_\_\_  
Expiration Date: \_\_\_\_\_

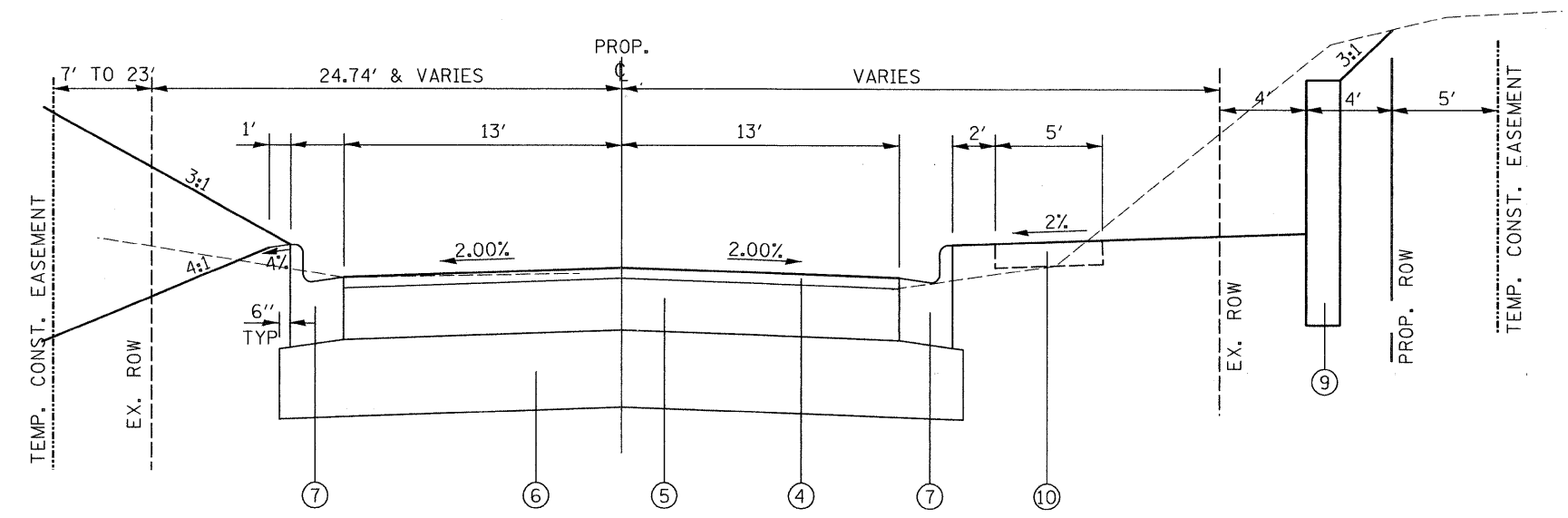
**STATEMENT OF RESPONSIBILITY**  
I hereby confirm that the document herein to be authenticated by my seal is restricted to this sheet, and I hereby disclaim any responsibility for all other drawings, specifications, estimates, reports or other documents or instruments relating to or intended to be utilized for any other part of the architectural, engineering or survey project.

**LEGEND**

- ① EXISTING OIL & CHIP ROADWAY - TO BE REMOVED (NOT PAID FOR SEPARATELY, BUT INCLUDED IN THE COST OF EARTHWORK)
- ② EXISTING CONCRETE SIDEWALK
- ③ EXISTING CONCRETE GUTTER
- ④ PROPOSED HOT MIX ASPHALT SURFACE COURSE, MIX "D", N70 - 2"
- ⑤ PROPOSED HOT MIX ASPHALT BINDER COURSE, IL-19.0, N70 - 7.75"
- ⑥ PROPOSED PROCESSING MODIFIED SOIL - 12"
- ⑦ PROPOSED COMBINATION CURB & GUTTER, TYPE B-6.24
- ⑧ PROPOSED 5' PORTLAND CEMENT CONCRETE SIDEWALK
- ⑨ PROPOSED RETENTION WALL
- ⑩ FUTURE 5' PORTLAND CEMENT CONCRETE SIDEWALK



**PROPOSED TYPICAL SECTION SEIBERT ROAD**  
STA. 17+35 TO STA. 24+21.16



**PROPOSED TYPICAL SECTION SEIBERT ROAD**  
STA. 24+21.16 TO STA. 25+53.74

PLOT DATE = 1/8/2009  
FILE NAME = P:\080719\08.dgn\Phase II Plans\080719\PS\_2.dgn  
USER NAME = mechner.john

**TYPICAL SECTIONS PROPOSED**

**SEIBERT ROAD RECONSTRUCTION - PHASE II VILLAGE OF SHILOH ST. CLAIR COUNTY, ILLINOIS**

REV.	DATE	DESCRIPTION
△		
△		
△		

DRAWN BY: MLS	SHEET
DESIGNED BY: MJJ	<b>7</b>
CHECKED BY: XXX	
APPROVED BY: XXX	
PROJECT NUMBER: T20010479	
OF 35 SHEETS	
<input type="checkbox"/> ISSUED FOR REVIEW	<input type="checkbox"/> ISSUED FOR BIDDING
<input type="checkbox"/> ISSUED FOR CONSTR.	<input type="checkbox"/> RECORD DRAWING