

ROUTE NO.	SECTION	COUNTY	TOTAL SHEETS	SHEET NO.
C.H. 9 (WRINGE RD)	98-00070-00-BR	CLINTON	6	2

CONTRACT NO. 97330

LOCATION OF WORK	ROAD STA. 131+89.25 TO 133+60.75	BRIDGE STA. 132+75		
------------------	---	-----------------------	--	--

SUMMARY OF QUANTITIES					
CODE NO.	ITEM	UNIT	QUANTITY	I000	X080-2A
20300100	CHANNEL EXCAVATION	CU. YD.	272.0		272.0
28100805	STONE DUMPED RIPRAP CLASS A3	TON	60.0		60.0
40603310	HOT-MIX ASPHALT SURFACE, MIX C, N50	TON	18.6		18.6
50100100	REMOVAL OF EXISTING STRUCTURES	EACH	1.0		1.0
50300225	CONCRETE STRUCTURES	CU. YD.	19.8		19.8
50300280	CONCRETE ENCASEMENT	CU. YD.	1.9		1.9
50400405	PRECAST PRESTRESSED CONCRETE DECK BEAMS, 21" DEPTH	SQ. FT.	1,260.0		1,260.0
50800205	REINFORCEMENT BARS EPOXY COATED	POUND	2,600.0	80.0	2,520.0
50900205	STEEL RAILING TYPE S1	FOOT	90.0		90.0
51201300	FURNISHING STEEL PILES HP 8X36	FOOT	270.0		270.0
51202305	DRIVING PILES	FOOT	270.0		270.0
51203300	TEST PILE STEEL HP 8X36	EACH	1.0		1.0
51500100	NAME PLATES	EACH	1.0		1.0
58100200	WATERPROOFING MEMBRANE SYSTEM	SQ. YD.	140.0		140.0
59300100	CONTROLLED LOW-STRENGTH MATERIAL	CU. YD.	14.0	14.0	
*63100075	TRAFFIC BARRIER TERMINAL, TYPE 5A	EACH	2.0	2.0	
*63100167	TRAFFIC BARRIER TERMINAL, TYPE 1, SPECIAL (TANGENT)	EACH	2.0	2.0	
67100100	MOBILIZATION	L. SUM	1.0		
78201000	TERMINAL MARKER DIRECT APPLIED	EACH	2.0	2.0	
XX001717	GROUTING OF STONE DUMPED RIPRAP	CU. YD.	17.0	17.0	

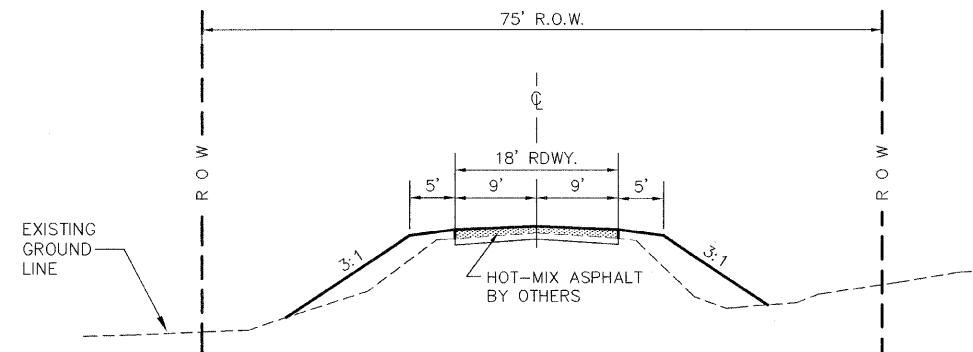
* SPECIALTY ITEMS

LOCATION	EARTH EXCAVATION	EARTH EXCAVATION ADJUSTED FOR SHRINKAGE	EMBANKMENT	EARTHWORK BALANCE WASTE (+) OR SHORTAGE (-)
	CUBIC YARD	CUBIC YARD	CUBIC YARD	CUBIC YARD
STA. 130+10 TO STA. 136+20	153	115	359	-244
ALLOWANCE FOR CHANNEL EXCAVATION	(75% OF 272)			+204
TOTAL				-40

EARTHWORK TABLE IS INCLUDED FOR INFORMATION ONLY.

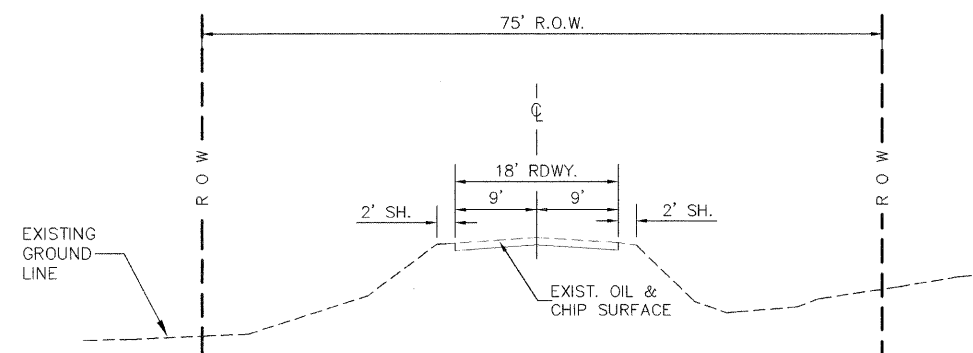
CONTRACTOR SHALL PLACE SUITABLE CHANNEL EXCAVATION MATERIAL ON SLOPES AS DIRECTED BY ENGINEER.

REMAINDER OF EARTHWORK BY OTHERS.



TYPICAL PROPOSED ROADWAY CROSS SECTION

STA. 130+10 to STA 132+51.75 & STA. 132+98.25 to STA. 136+20



TYPICAL EXISTING ROADWAY CROSS SECTION

EXTRA BARS FOR TEST SAMPLES

BILL OF MATERIALS

BAR	NO.	SIZE	LENGTH	SHAPE
h(E)	1	#4	5'-0"	—
p(E)	1	#6	11'-1"	□
p(E)	1	#7	28'-10"	—

* THESE BARS SHALL BE IDENTICAL TO AND DELIVERED WITH THE BARS OF THE SAME MARK LISTED IN THE BRIDGE SHEETS. ONE BAR OF EACH OF THESE MARKS WILL BE SELECTED BY THE ENGINEER TO BE USED AS A TEST SAMPLE.

GENERAL NOTES

- ALL ELEVATION REFER TO U.S.G.S. MEAN SEA LEVEL
- THE CONTRACTOR WILL BE REQUIRED TO CONDUCT HIS OPERATIONS SUCH THAT THE PRIVATE ENTRANCE AT STATION 133+30 WILL REMAIN OPEN TO THE PROPERTY OWNER AT ALL TIMES THROUGHOUT THE CONSTRUCTION.
- UTILITIES ARE SHOWN IN ACCORDANCE WITH THE BEST AVAILABLE INFORMATION AND THEIR TRUE LOCATION IS NOT GUARANTEED TO BE AS SHOWN ON THE PLANS. IT WILL BE THE CONTRACTORS RESPONSIBILITY TO DETERMINE THE EXACT LOCATION OF ALL UTILITIES AND CARRY ON HIS OPERATIONS ACCORDINGLY.
- TEMPORARY AND PERMANENT EROSION CONTROL MEASURES: THIS PROJECT REQUIRES ONLY MINIMAL EXCAVATION AND EMBANKMENT CONSTRUCTION WITH NO STOCKPILING OF TOPSOIL, OR BORROW AND THEREFORE REQUIRES MINIMAL EROSION CONTROL MEASURES WHICH WILL BE PROVIDED, PLACED AND MAINTAINED BY THE COUNTY HIGHWAY DEPARTMENT. ALL EROSION CONTROL METHODS WILL BE TO I.D.O.T. STANDARDS AND EACH CONTROL MEASURE SHALL BE APPROPRIATE TO ADDRESS THE SPECIFIC CONDITIONS INVOLVED AND PROPERLY MAINTAINED TO ENSURE CONTINUED EFFECTIVE OPERATION.

MIXTURE REQUIREMENTS - SUPERPAVE PROJECT

ROUTE	C.H. 9 (WRINGE RD)
SECTION	98-00070-00-BR
COUNTY	CLINTON
CONTRACT	

DESCRIPTION: C.H. 9 OVER TRIB. TO BEAVER CREEK 3 MILES N. & W. OF CARLYLE

MIXTURE USE	SURFACE
AC/PG	PG 64-22
RAP % (MAX)	0%
DESIGN AIR VOIDS	4.0% @ Ndes=50
MIX COMPOSITION (GRADATION MIXTURE)	IL 9.5/IL 12.5
FRICTION AGG.	MIXTURE C

**SUMMARY OF QUANTITIES
TYPICAL ROADWAY CROSS SECTIONS
C.H. 9 (WRINGE ROAD)
OVER TRIB. TO BEAVER CREEK
SECTION 98-00070-00-BR
CLINTON COUNTY**