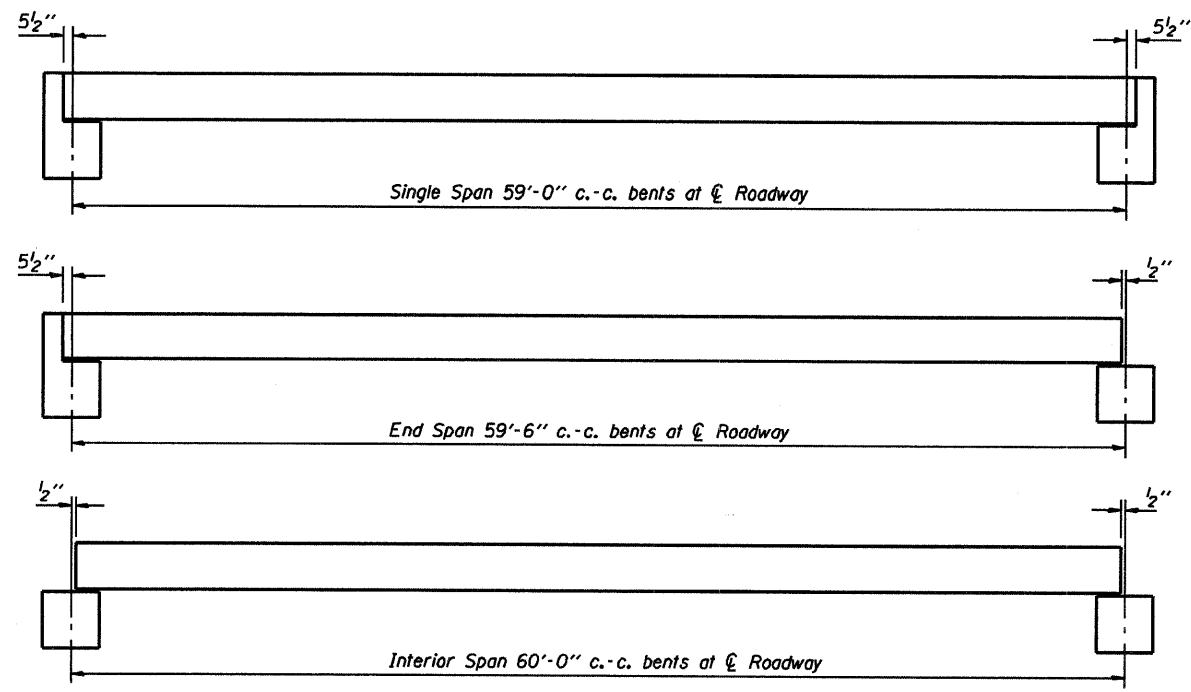
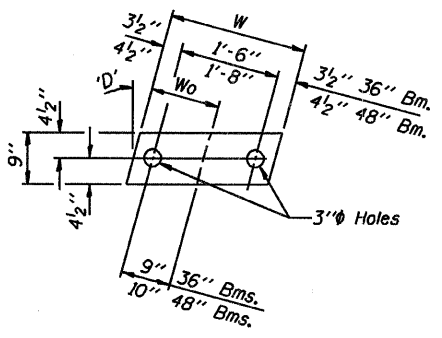
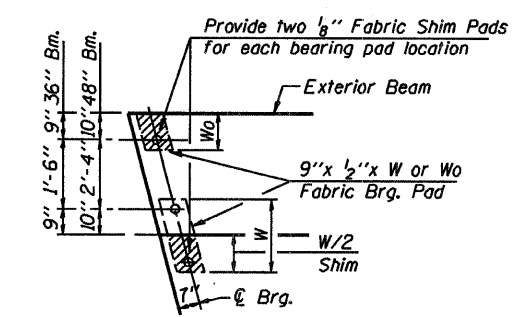


ROUTE NO.	SECTION	COUNTY	TOTAL SHEETS	SHEET NO.
C.H. 20	05-00125-00-BR	MARION	13	5
FED. AID PROJECT:	ILLINOIS PROJECT		CONTRACT NO. 9733a	

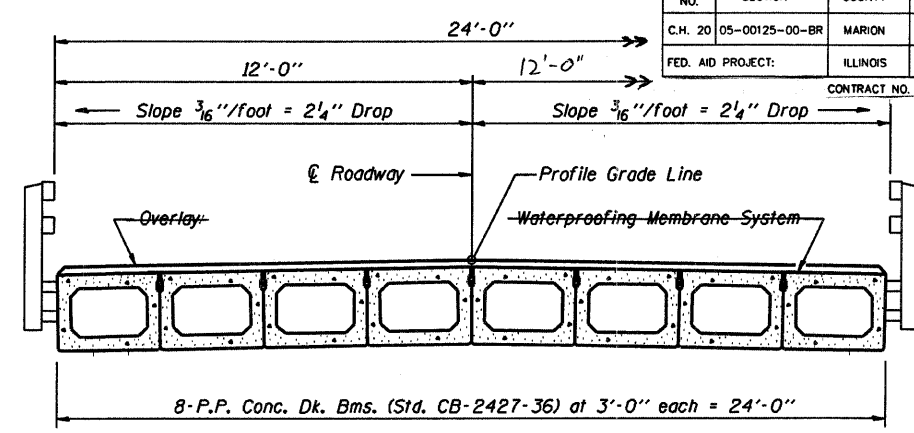


TYPICAL ELEVATIONS

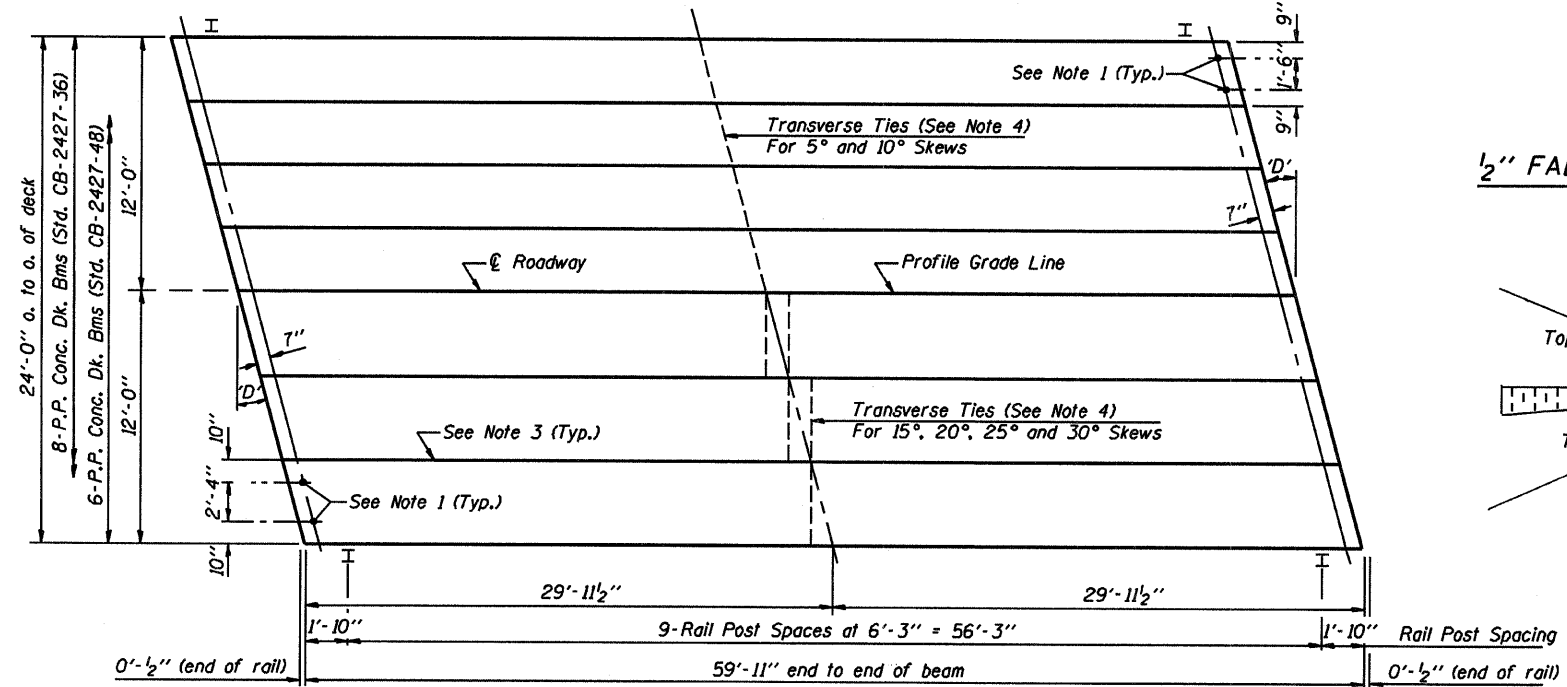
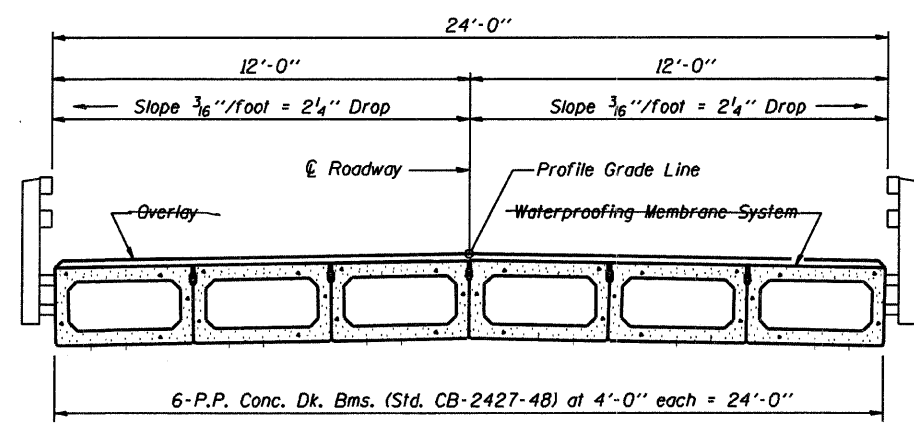


Beam	W	Wo
36"	2'-1"	1'-0 1/2"
48"	2'-5"	1'-2 1/2"

1/2" FABRIC BRG. PAD DETAILS

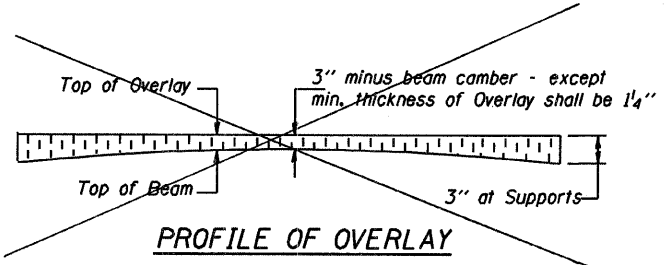


CROSS SECTION



PLAN

('D' = Designated Skew Angle)

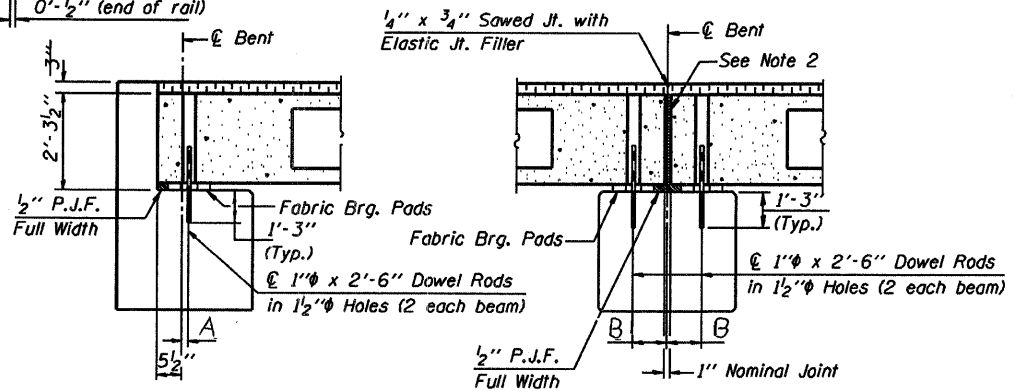


PROFILE OF OVERLAY

DIMENSIONS 'A' AND 'B'

'D'	5°	10°	15°	20°	25°	30°
A	1 1/2"	1 5/8"	1 3/4"	1 7/8"	2 1/4"	2 5/8"
B	7 1/2"	7 5/8"	7 3/4"	8"	8 1/4"	8 5/8"

- NOTES**
- After beams have been erected, holes shall be drilled into substructure and anchor dowels placed. Dowel holes shall be filled with non-shrink grout to top of beam and allowed to cure min. 24 hrs. prior to grouting the shear keys.
 - Nominal 1" joint at centerline Pier shall be filled with non-shrink grout.
 - Longitudinal keys shall be grouted.
 - The 1" rods in the transverse tie assembly shall be tightened to a snug fit and the threads set. Pockets that receive transverse tie bar outside shall be filled with grout after transverse tie assembly is in place.



SECTION AT ABUTS.
(Along centerline Beams)

SECTION AT PIERS
(Along centerline Beams)

QUANTITIES FOR ONE SPAN

P.P. Conc. Dk. Bm. 27" Dp.	1440 Sq. Ft.
Steel Railing	120 Ft.
Waterproofing Membrane System	160.0 Sq. Yds.
Portland Cement Mortar	420 Ft. 36"
Fairing Course	300 Ft. 48"

Note: Quantity of overlay for one span = 18.0 Tons

P.P.C. DECK BEAM SUPERSTRUCTURE			
24' RDWY.	27" BMS.	60' SPAN	RIGHT
STANDARD CS-2427-60R			

Illinois Department of Transportation

PASSED APRIL 4, 2005

Theresa J. Hanna, P.E.
Engineer of Bridge Design

APPROVED APRIL 4, 2005

Ralph E. Anderson
Engineer of Bridges and Structures

ISSUED 1-1-1981