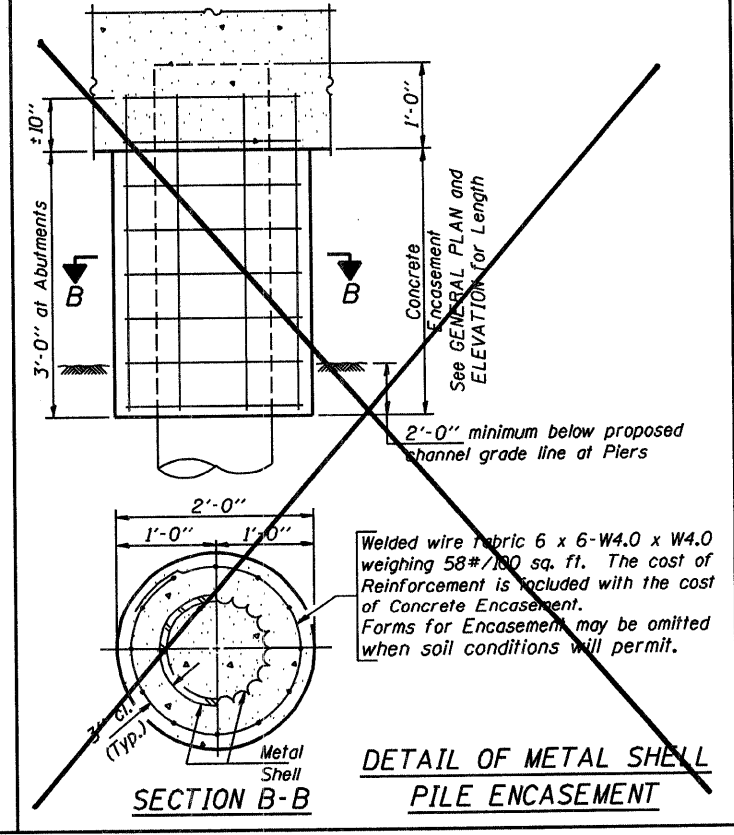
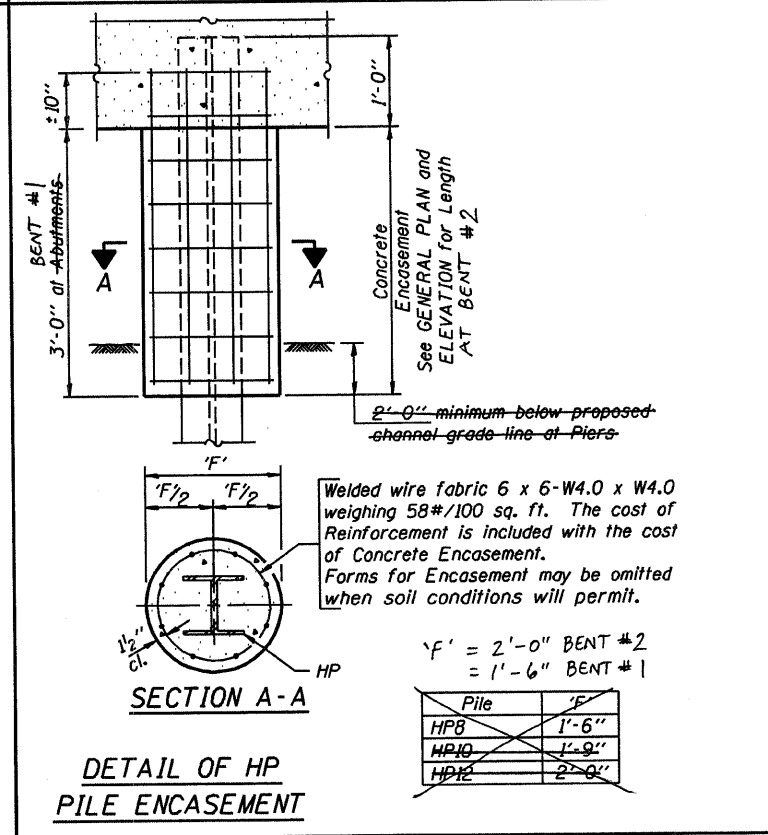
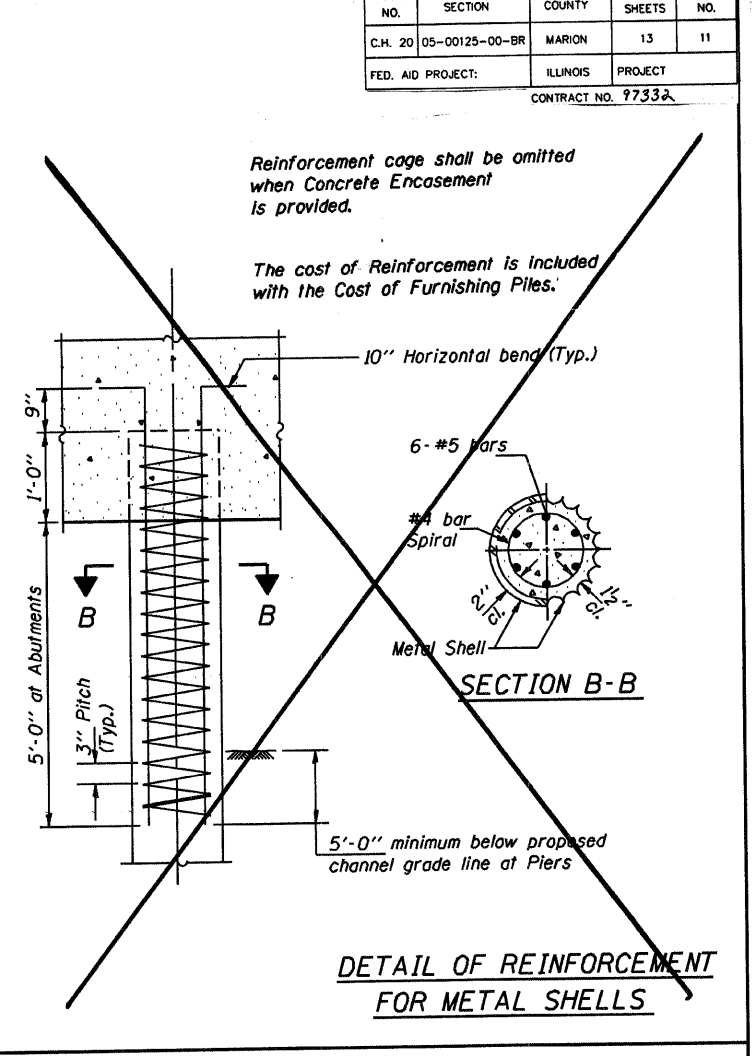
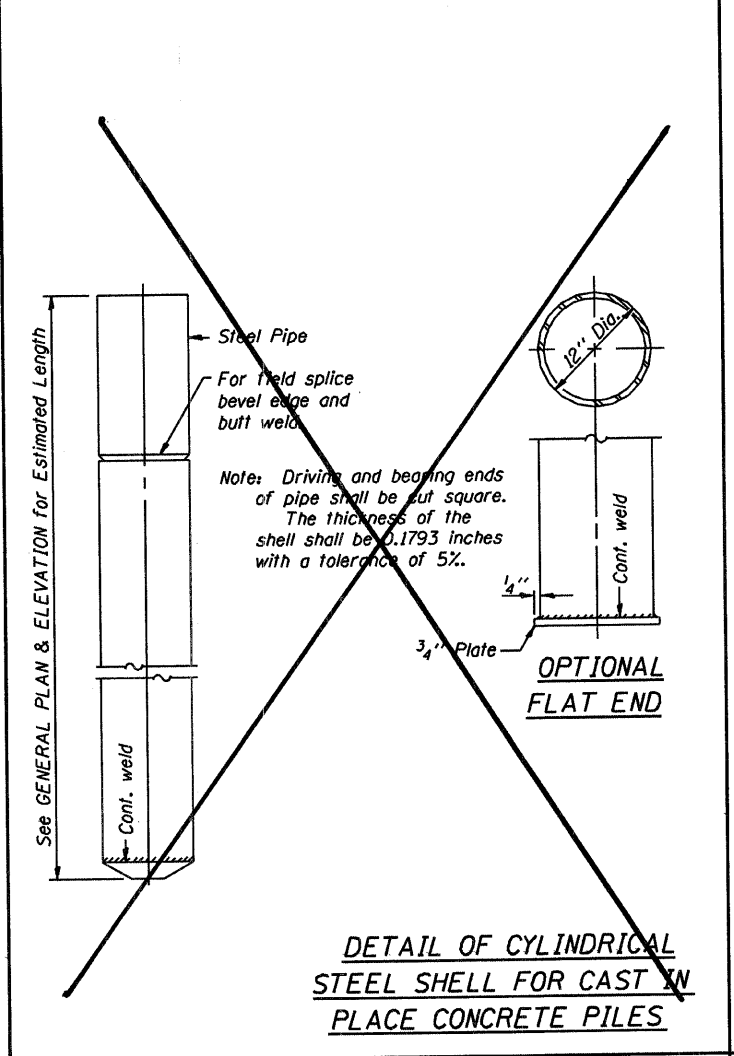
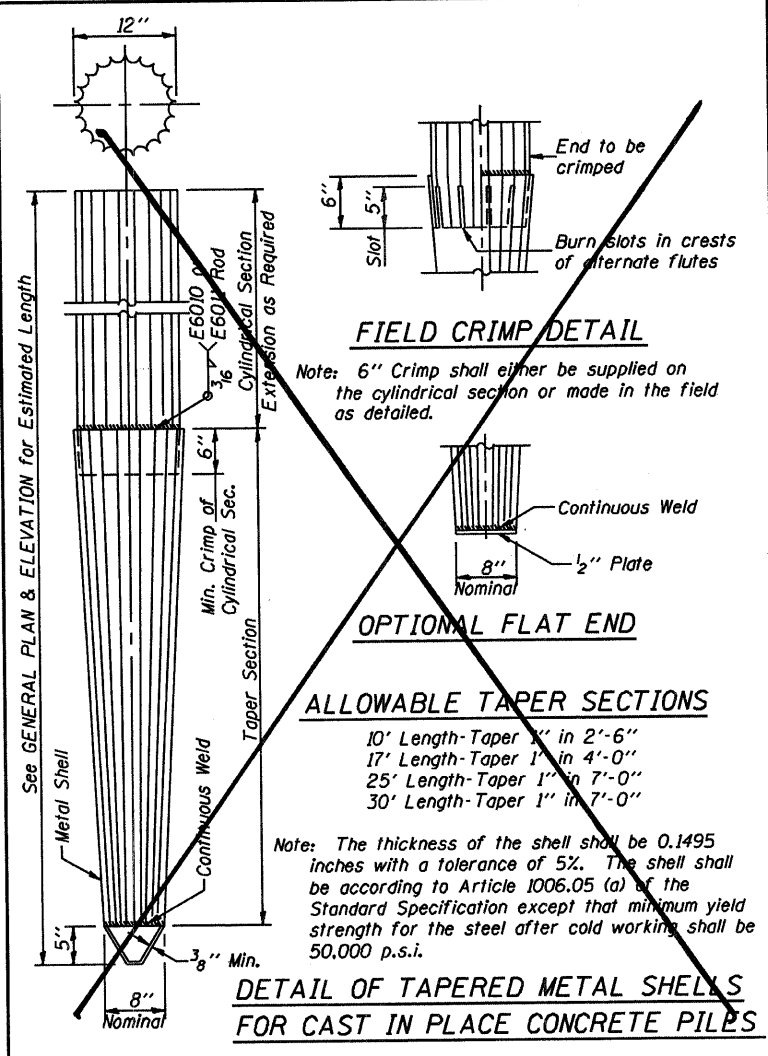
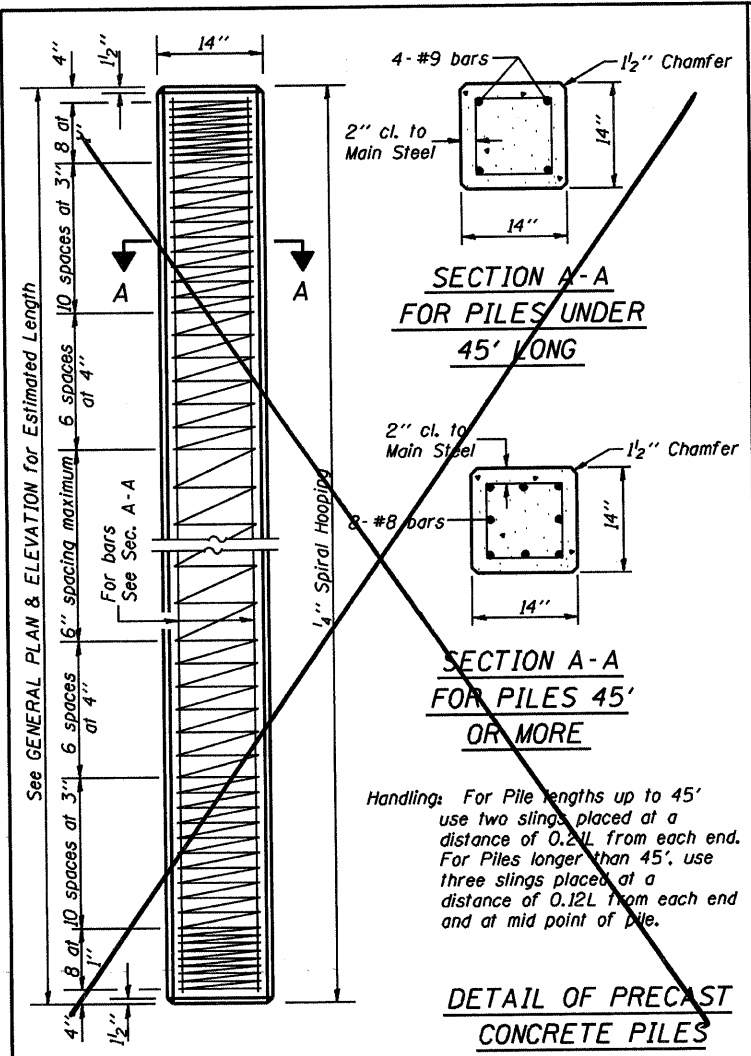


ROUTE NO.	SECTION	COUNTY	TOTAL SHEETS	SHEET NO.
C.H. 20	05-00125-00-BR	MARION	13	11
FED. AID PROJECT:		ILLINOIS	PROJECT	
CONTRACT NO. 97332				



QUANTITIES/FT. OF ENCASEMENT (STEEL PILES)

Pile Size	Item	Quantity
HPB	Concrete Encasement	0.063 C.Y.
HP10	Concrete Encasement	0.080 C.Y.
HP12	Concrete Encasement	0.112 C.Y.

(BENT #1 ONLY)

(METAL SHELL PILES)

Pile Size	Item	Quantity
12" Dia.	Concrete Encasement	0.087 C.Y.

PILE DETAILS

STANDARD CX-1

Illinois Department of Transportation

PASSED FEBRUARY 1, 2000

Thomas J. Romaszkowski
Engineer of Bridge Design

APPROVED FEBRUARY 1, 2000

Ralph E. Anderson
Engineer of Bridges and Structures

186-H-031551