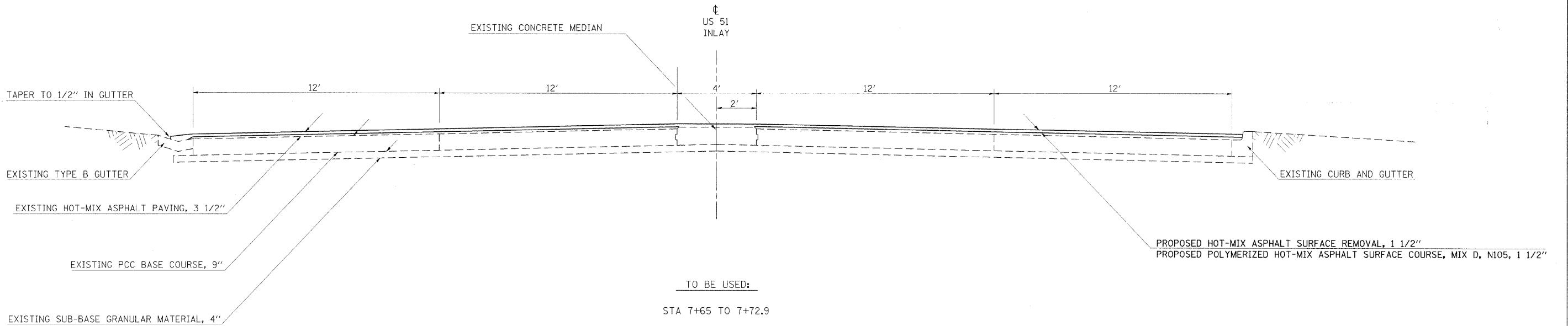
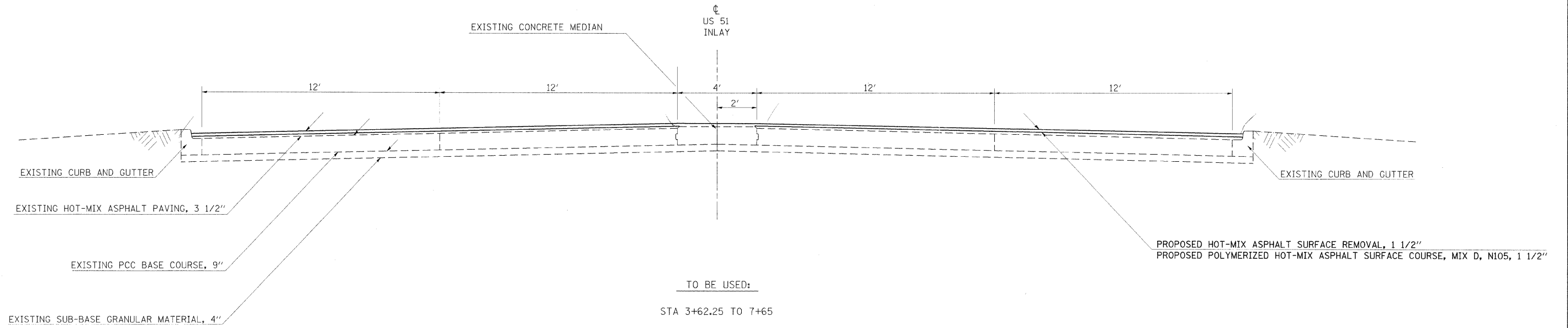


F.A.P. RTE.	SECTION	COUNTY	TOTAL SHEETS	SHEET NO.
*	**	ALEXANDER	65	5
STA.		TO STA.		
FED. ROAD DIST. NO.		ILLINOIS FED. AID PROJECT		

- * FAP 14 (US51/60/62)
- ** 138(N,TS-2,RS-2)



NOTE: MATCH EXISTING CROSS SLOPES

**TYPICAL SECTIONS
US 51**