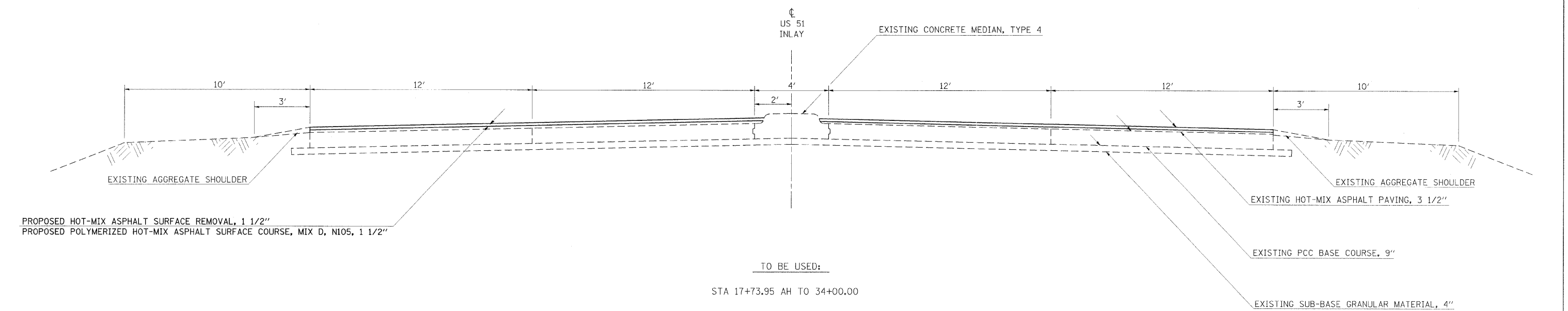
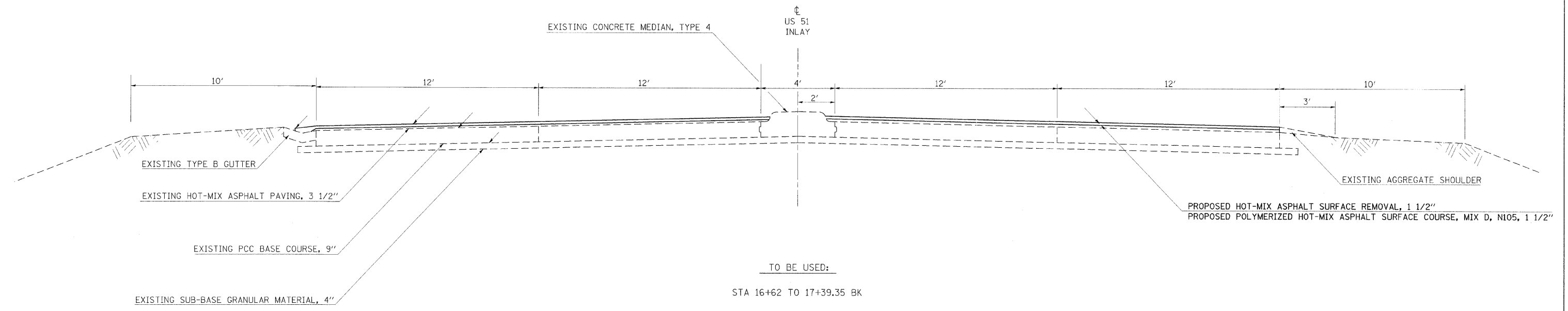


F.A.P. RTE.	SECTION	COUNTY	TOTAL SHEETS	SHEET NO.
•	••	ALEXANDER	65	7
STA.		TO STA.		
FED. ROAD DIST. NO.	ILLINOIS	FED. AID PROJECT		

- FAP 14 (US51/60/62)
- 138(N,TS-2,RS-2)



**NOTE: MATCH EXISTING CROSS SLOPES**

**TYPICAL SECTIONS  
US 51**

PLOT DATE = 11/29/2007  
 FILE NAME = c:\p\projects\ad902206\ad902206.dgn  
 PLOT SCALE = 50.0000 / IN.  
 USER NAME = psonal