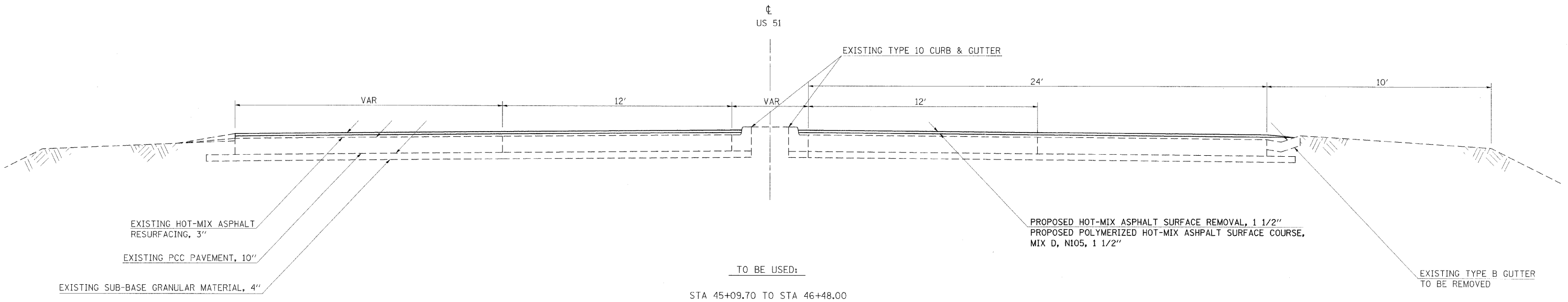
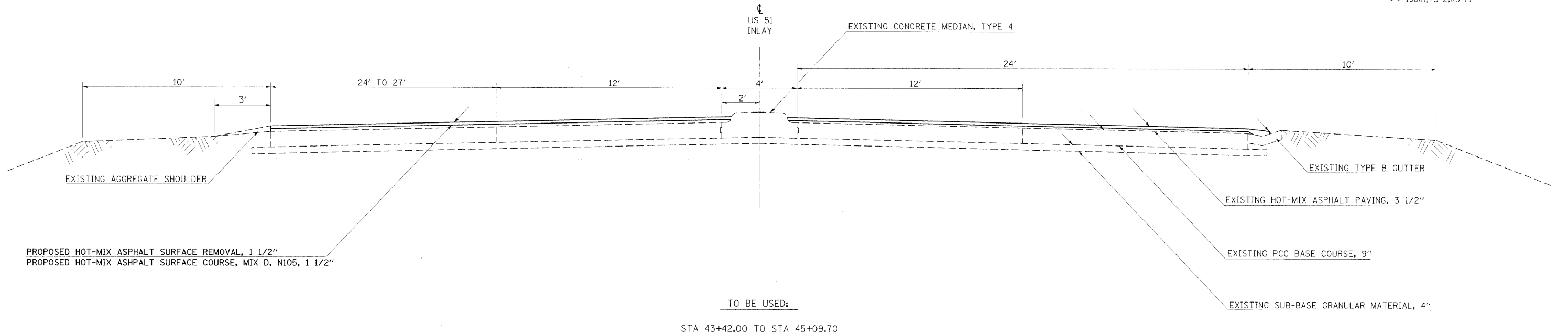


F.A.P. RTE.	SECTION	COUNTY	TOTAL SHEETS	SHEET NO.
*	**	ALEXANDER	65	9

STA. TO STA.  
 FED. ROAD DIST. NO. ILLINOIS FED. AID PROJECT

- FAP 14 (US51/60/62)
- 138(IN,TS-2,RS-2)



**NOTE: MATCH EXISTING CROSS SLOPES**

**TYPICAL SECTIONS  
 US 51**